

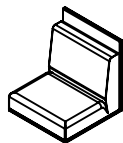
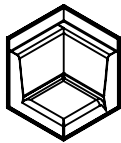
# Toulouse

Design by BoConcept

Samlevejledning - Assembly Instructions - Montageanleitung - Instructions d'assemblage - Instrucciones de montaje

## Moduler - Modules - Module - Modules - Medulos

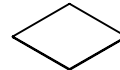
201-0170  
Corner seat Left-Low  
201-0180  
Corner seat Right-Low  
  
hxbxd  
92x85x85 cm



201-0190  
Seat with backrest-Low  
  
hxbxd  
92x85x85 cm



201-0200  
Seat without  
backrest  
  
hxbxd  
26,1x85x85 cm

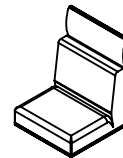
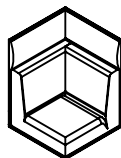


201-0210  
Table  
  
hxbxd  
2,2x85x85 cm



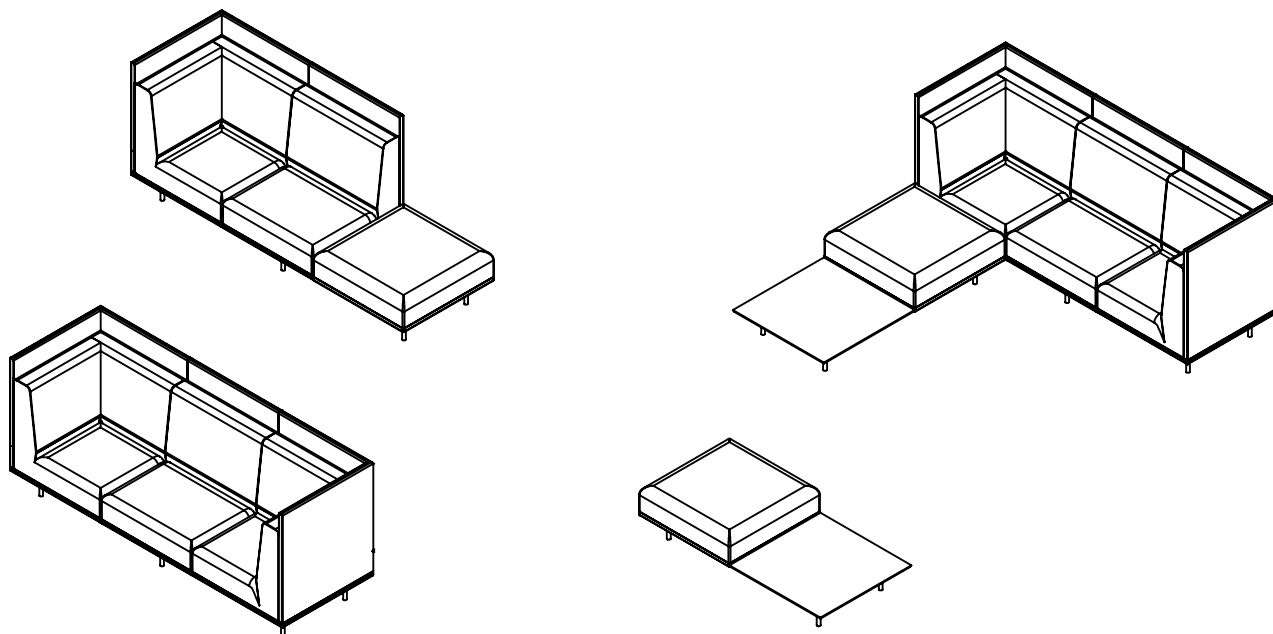
201-0340  
Partition Wall  
  
hxbxd  
18x230x62 cm

201-0360  
Corner seat Left-High  
201-0370  
Corner seat Right-High  
  
hxbxd  
113x85x85 cm

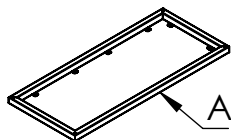


201-0380  
Seat with backrest-High  
  
hxbxd  
113x85x85 cm

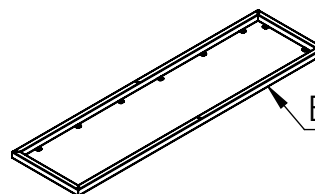
## Eksempelkombinationer - Example combinations - Beispielkombinationen - Exemples d' combinaisons - Ejemplos de combinaciones



## Ramme - Frame - Rahmen - Cadre - Macro

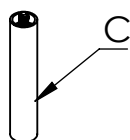


201-0230  
For 2 modules  
  
hxbxd  
18x144,5x62



201-0220  
For 3 modules  
  
hxbxd  
18x230x62

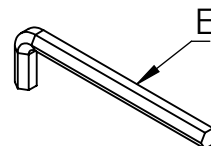
## Monteringsstillbehør - Fittings - Montagezubehör - Raccors d'addemlage - Accesorios de montaje



For 2 modules x4  
For 3 modules x6

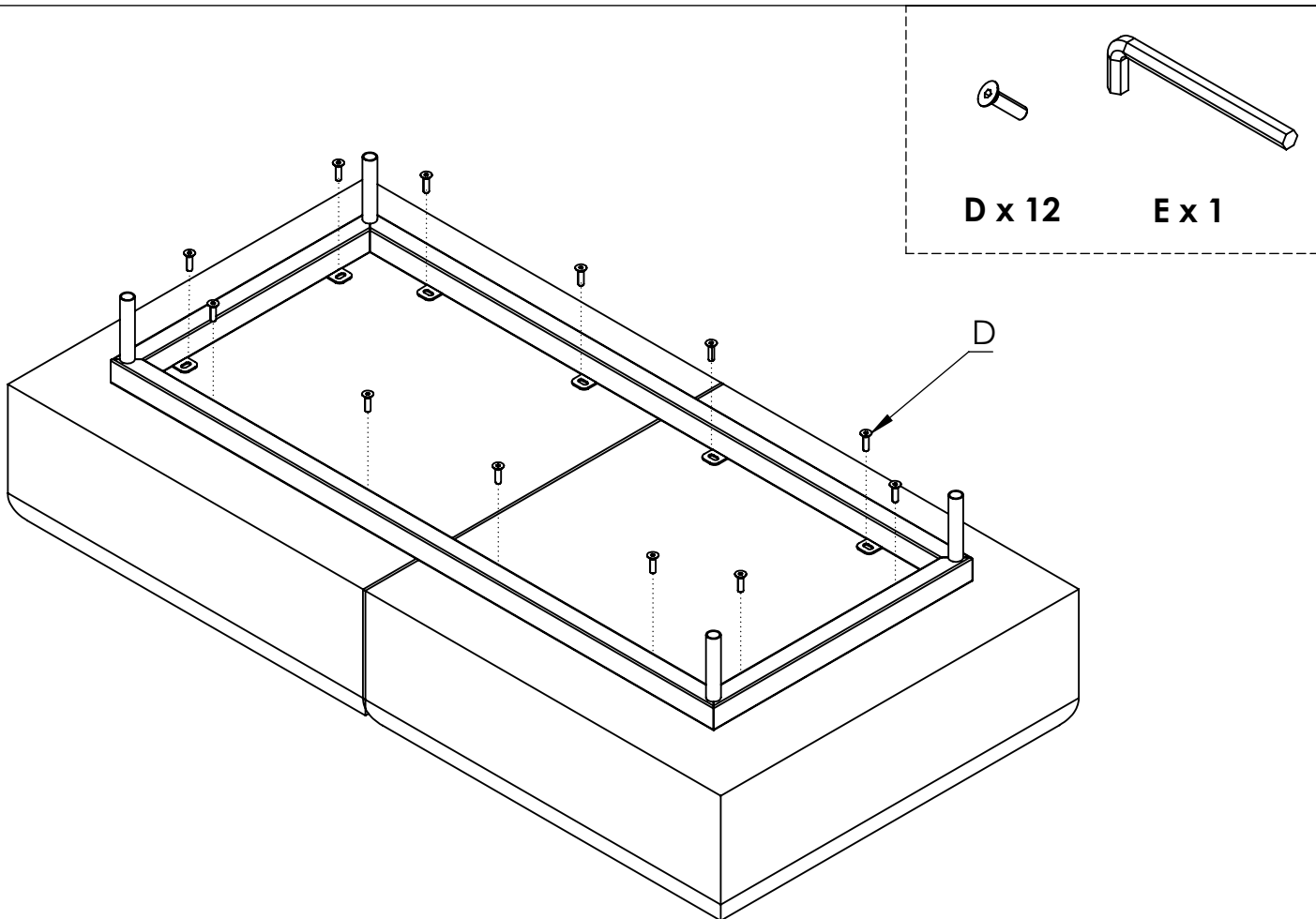
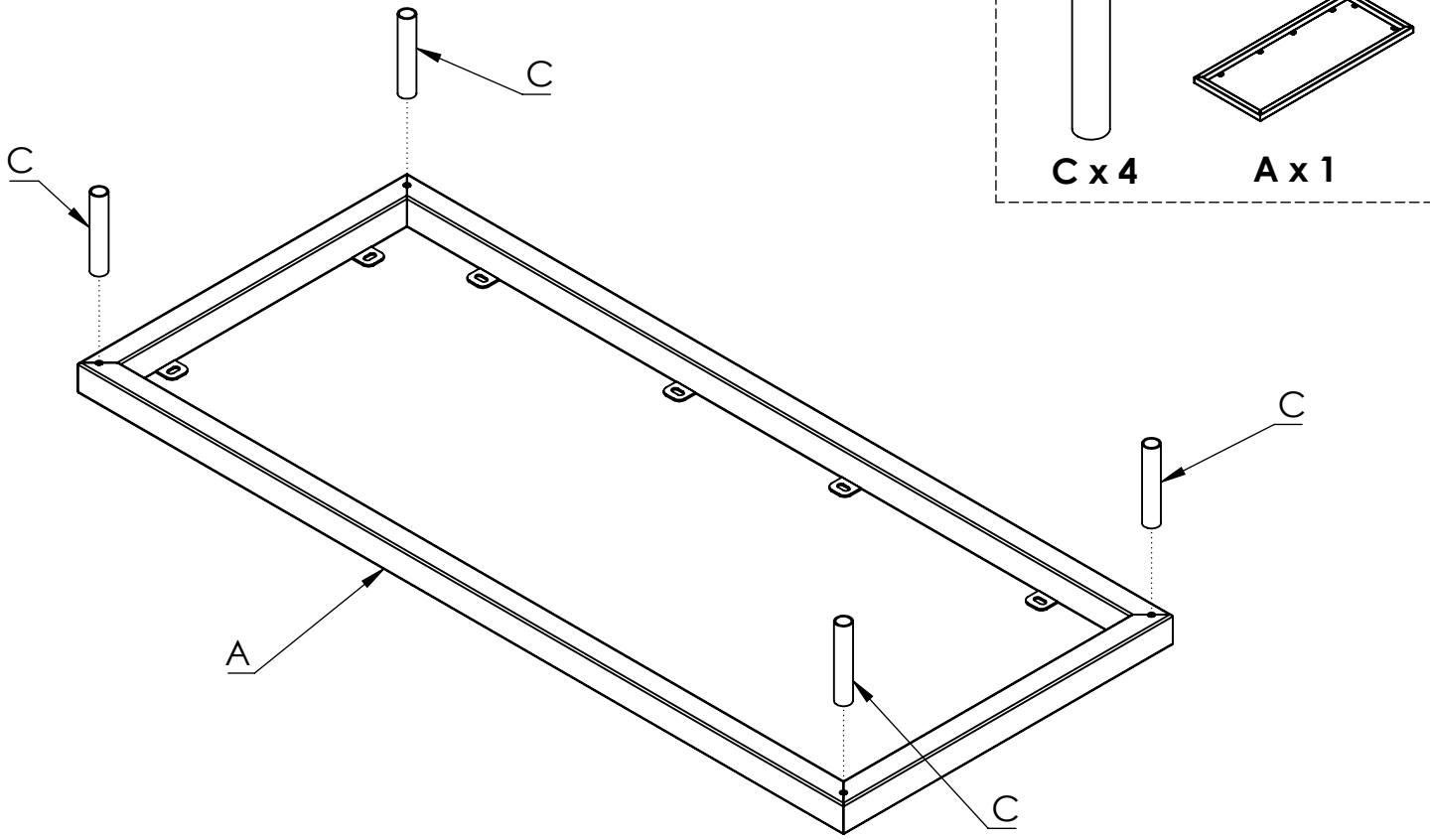


For 2 modules x12  
For 3 modules x16



For 2/3 modules x1

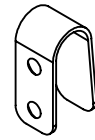
# Frame assembly



# Partition Wall assembly



G x 4



J x 1



F x 2

