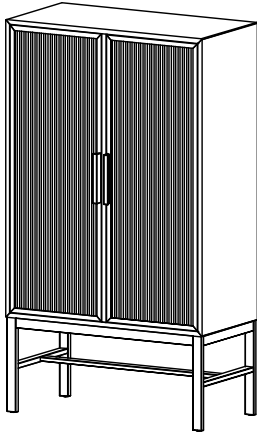


370-7260

Design by BoConcept

Samlevejledning - Assembly Instructions - Montageanleitung - Instructions d'assemblage - Instrucciones de montaje

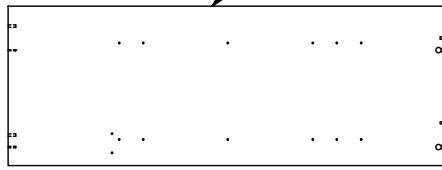


370-7260
158,5 x 90 x 44 cm
Max weight 50 Kg.

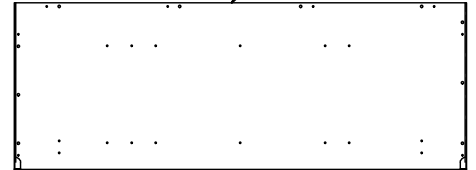
Intended use: General use according to EN16121

Colli 37007261

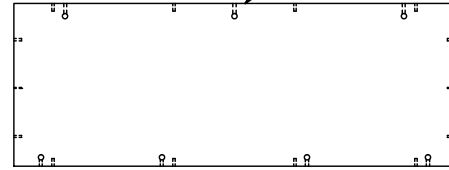
Middle side



Side left



Back panel x 2

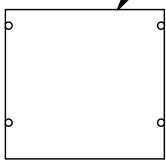


Side right

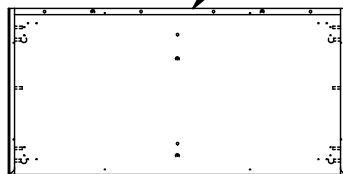


Colli 37007262

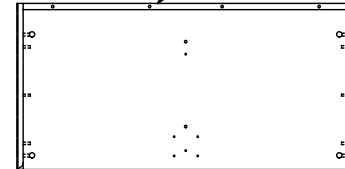
Shelf x 6



Bottom

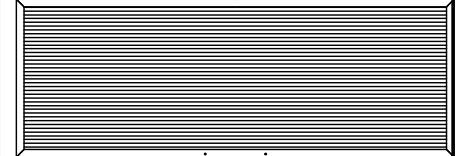


Top



Colli 37007264

Glass door x 2

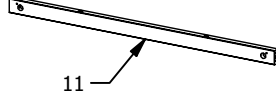


Colli 37007263

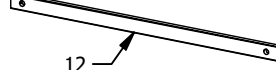
Leg x 2



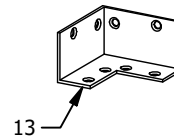
Frame side x 2



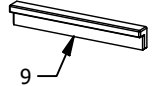
Center support



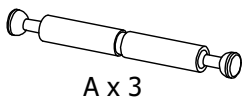
Corner x 4



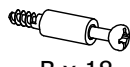
Handle x 2



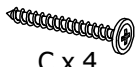
Colli 37007262 Fitting box 970001256



A x 3



B x 18
To Ø 3 mm hole



C x 4
To handle



D x 48
Ø6mm



E x 30



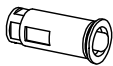
F x 6
Nature oak or
dark oak



G x 6
Grey



H x 8
3,0 x 15



J x 2
Buffer



K x 4



L x 4



M x 24



N x 24



P x 24
4,2 x 10,5
to shelf



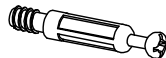
R x 32
To Leg base
4,2 x 9,5



S x 4



T x 8



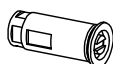
V x 6
To Ø5 mm hole



BB x 8
To hinge
4,2 x 13,5



CC x 2

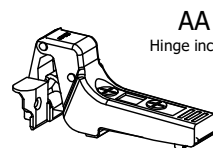


DD x 2
Magnet

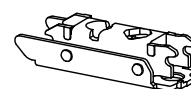
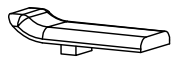


EE x 2

Sparepart bag
937000232
6 stk

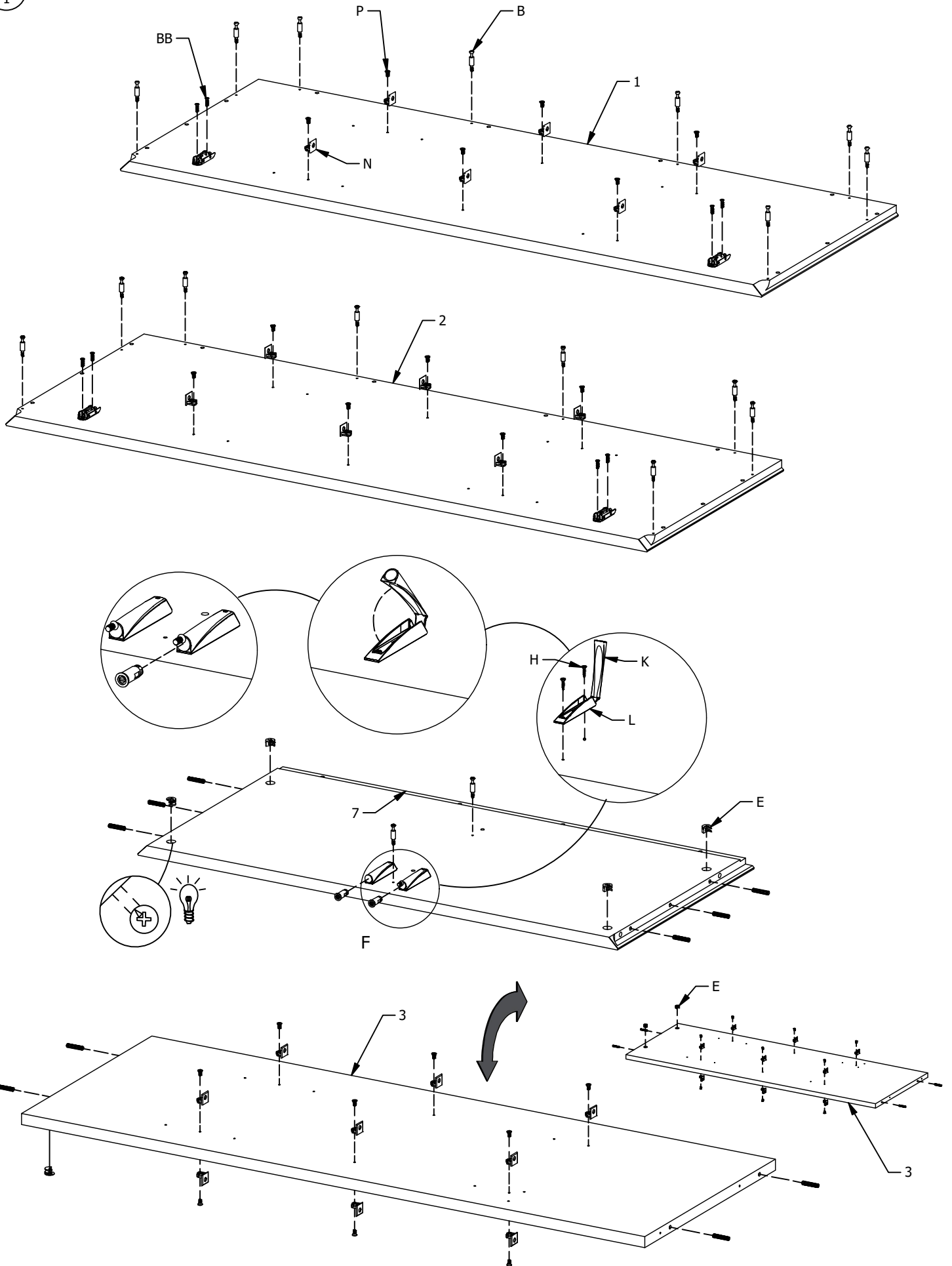


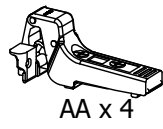
AA x 4
Hinge incl. all parts



- DD x 2
Magnet
- K x 2
- L x 2
- E x 6
- D x 10
Ø6mm
- B x 18
To Ø 3 mm hole
- H x 4
3,0 x 15
- N x 24
- P x 24
4,2 x 10,5
to shelf
- AA x 4
- BB x 8
To hinge
4,2 x 13,5

FIG. 1





AA x 4



AA x 4



M x 24



A x 3



C x 4
To handle



D x 26
Ø6mm



E x 18

FIG.
2

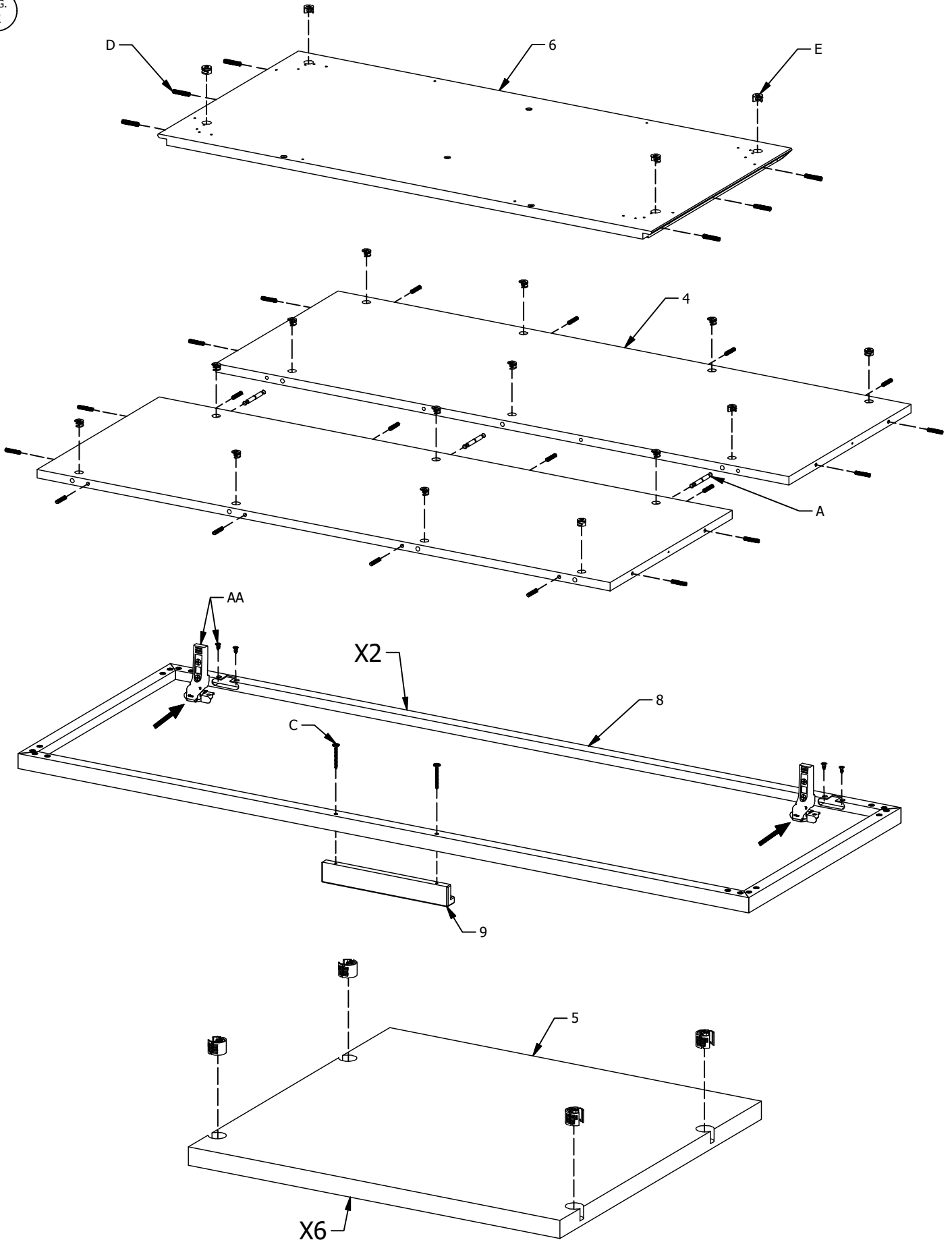

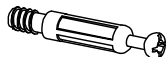




FIG. 3

-  D x 12
Ø6mm
-  V x 6
To Ø5 mm hole
-  E x 30
-  R x 16
To Leg base
4,2 x 9,5

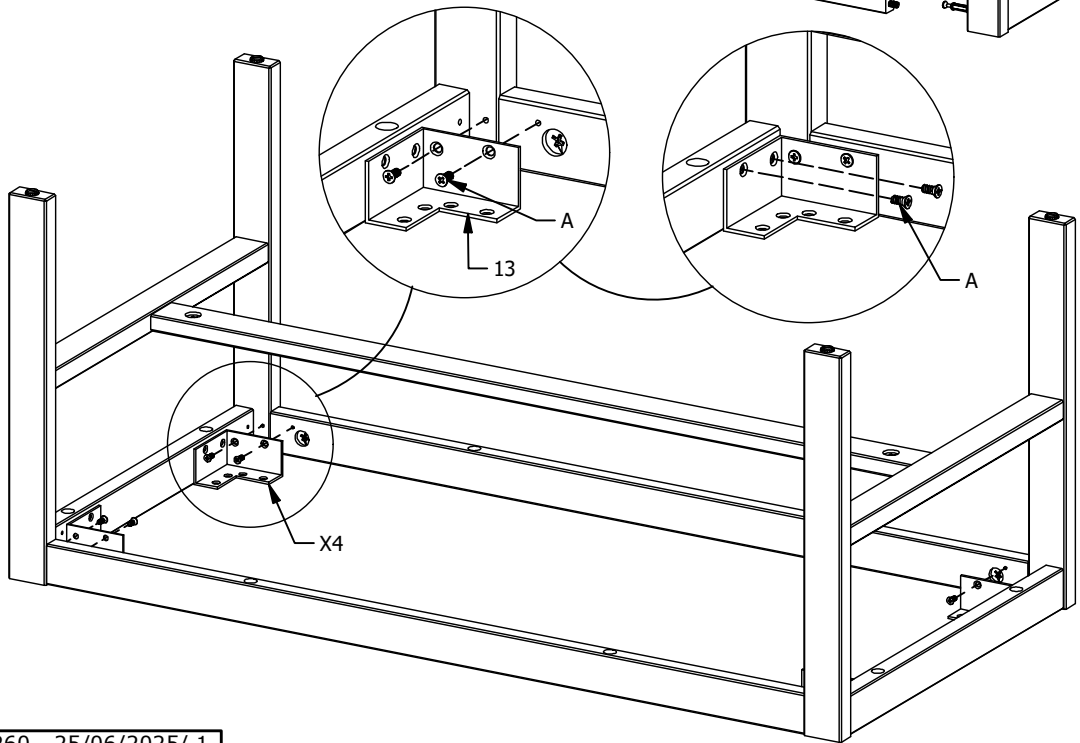
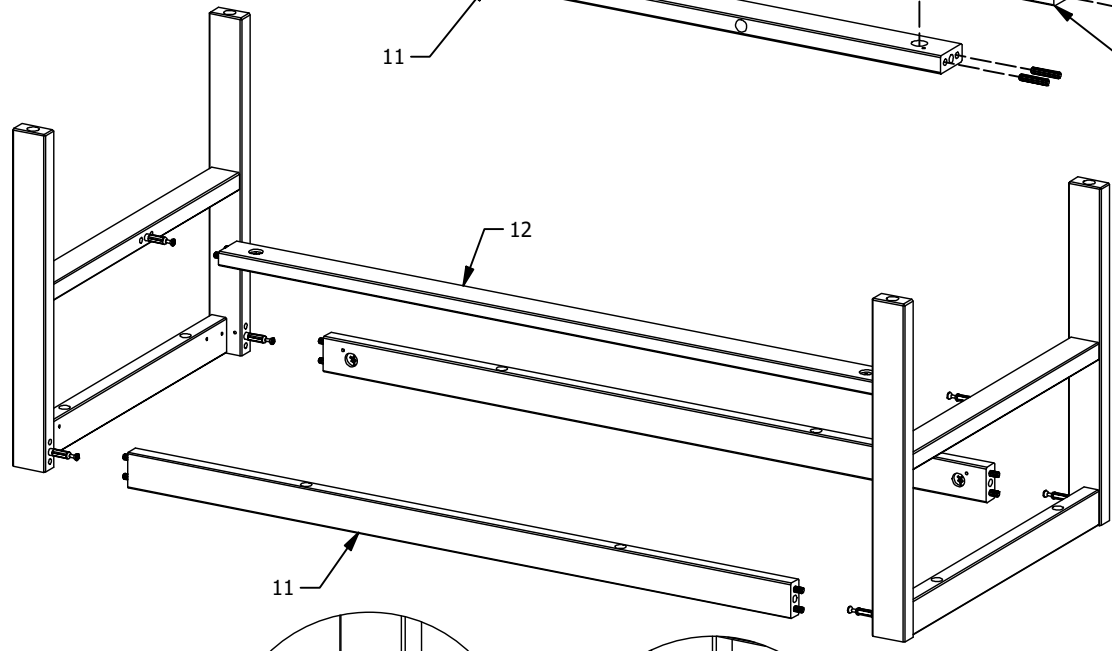
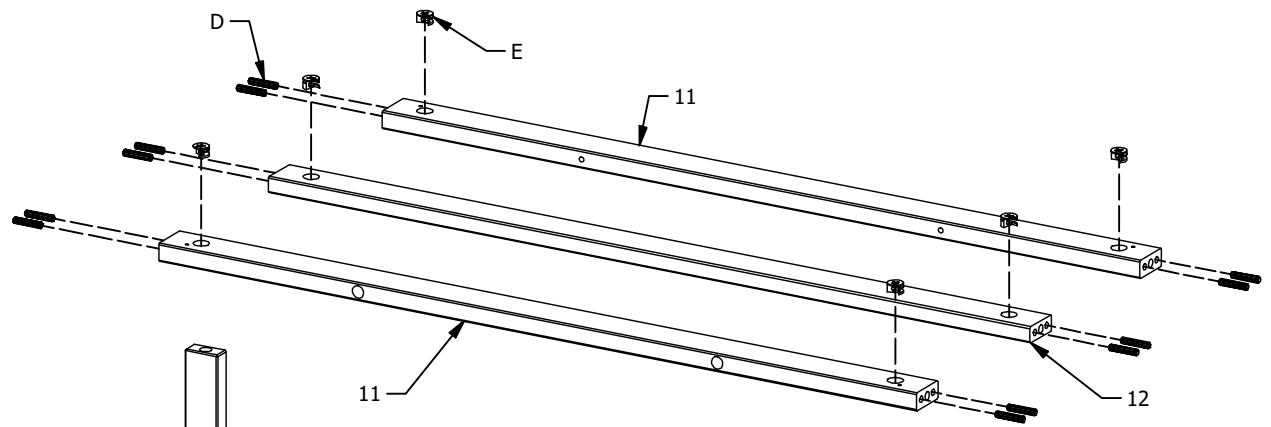
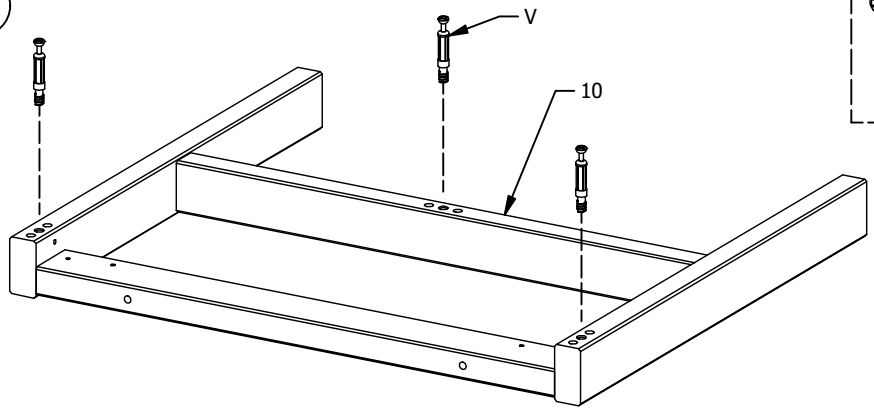


FIG.
4

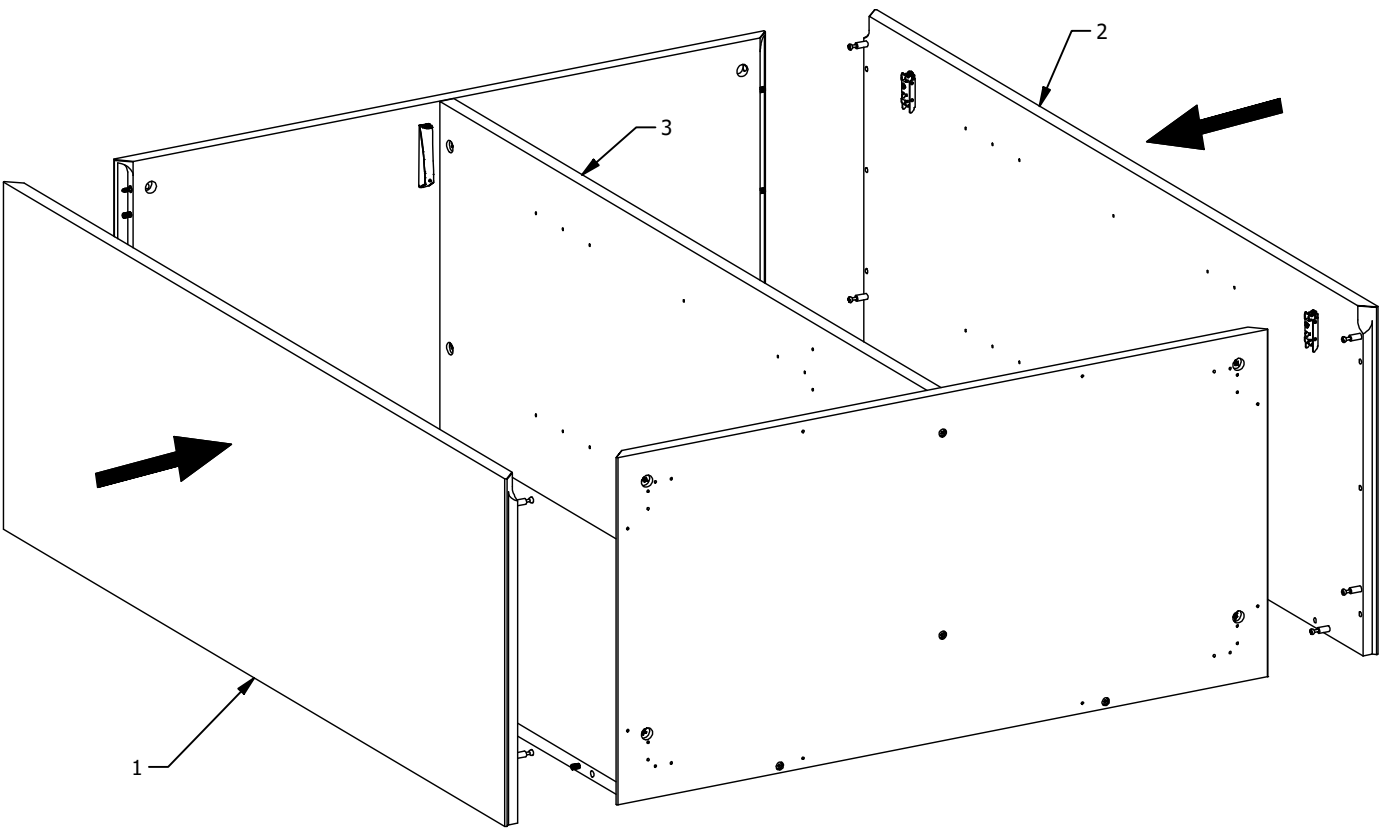
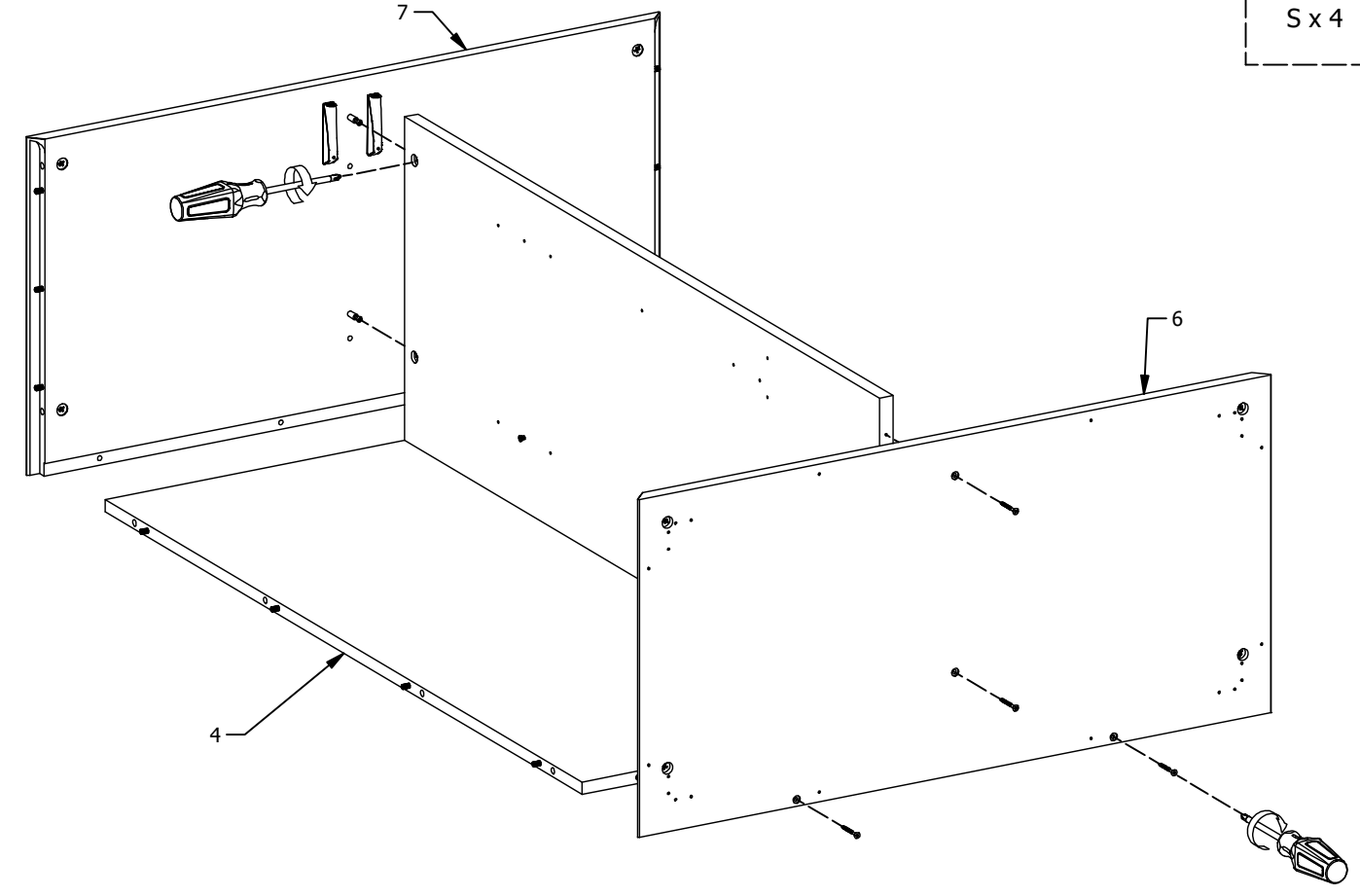
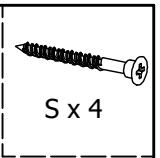




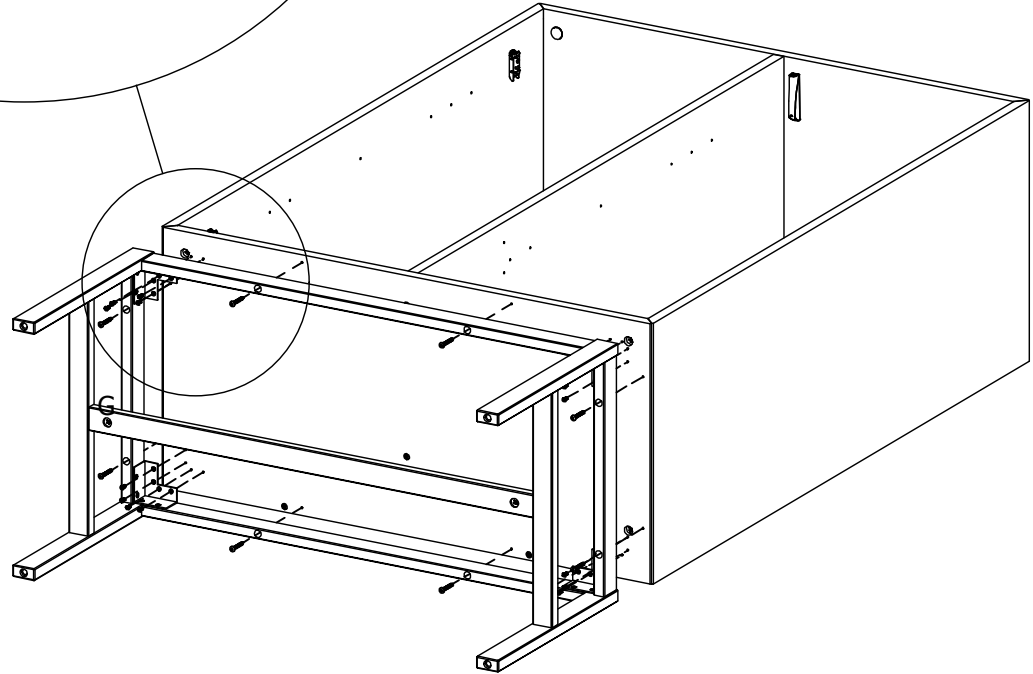
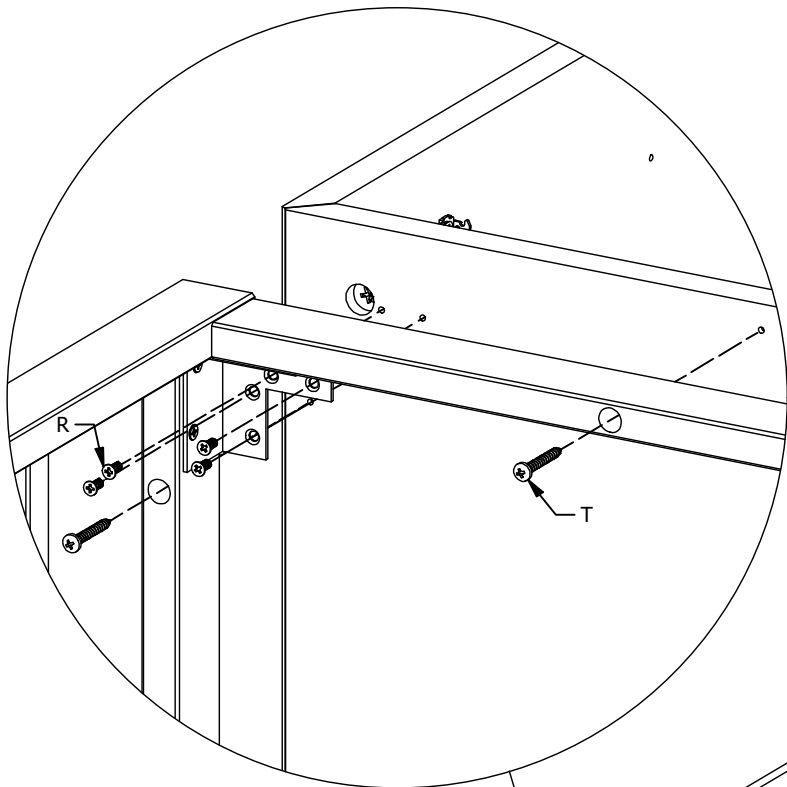
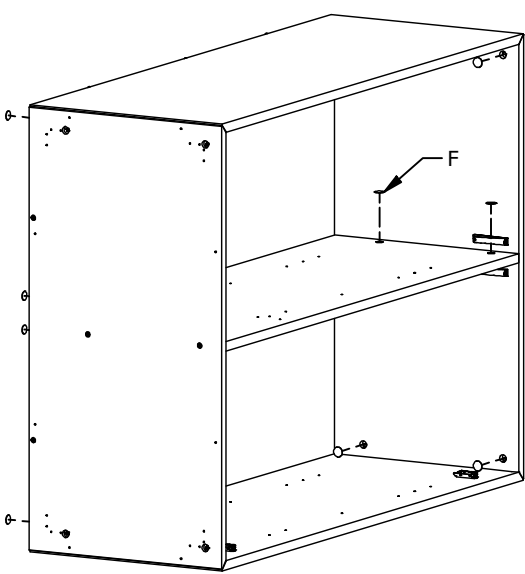
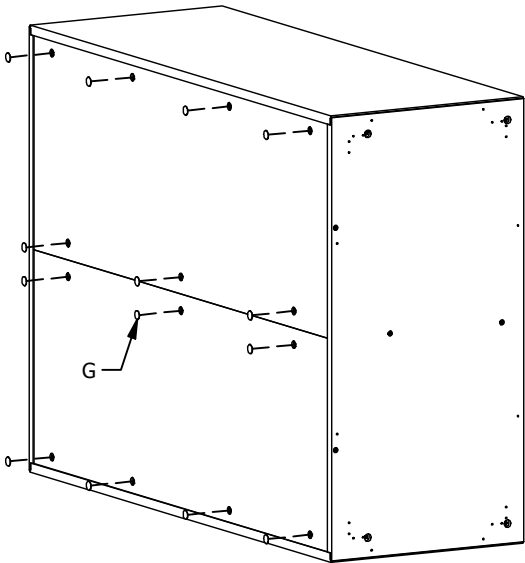
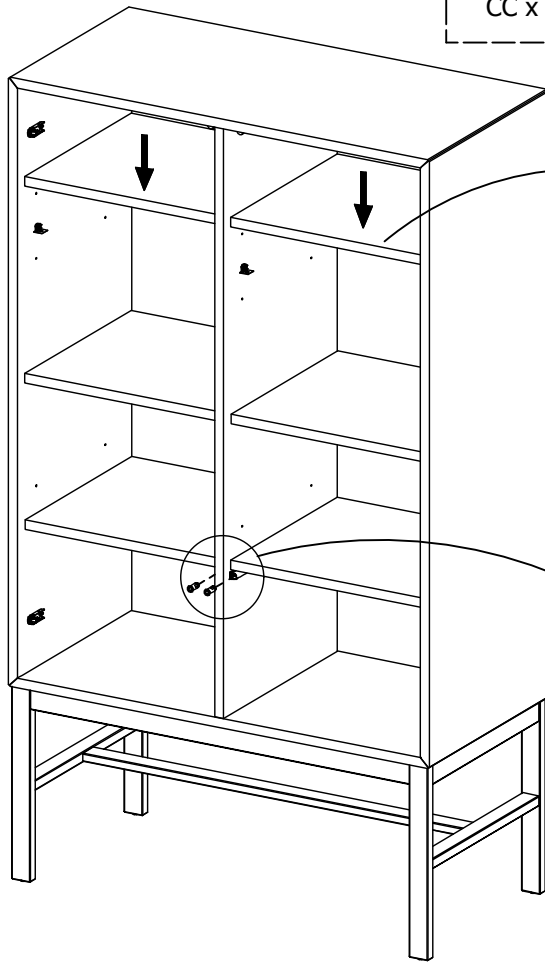
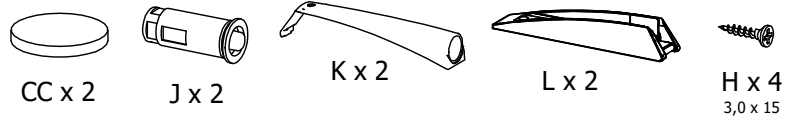


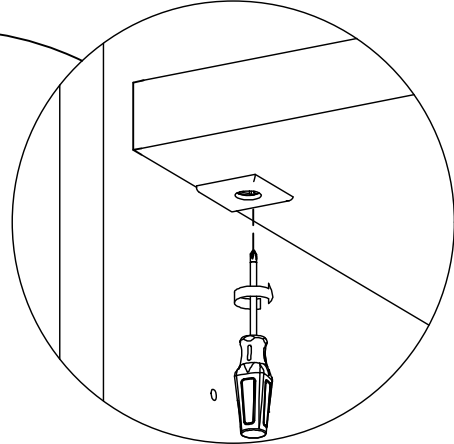
FIG. 5

			
T x 8	R x 16 To Leg base 4,2 x 9,5	F x 6 Nature oak or dark oak	G x 6 Grey

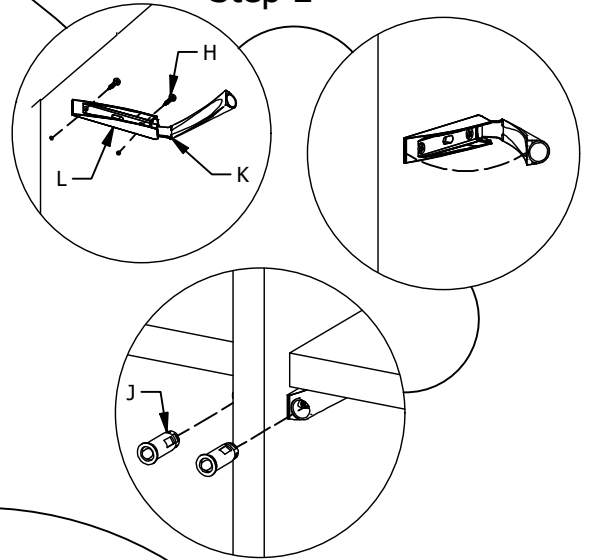




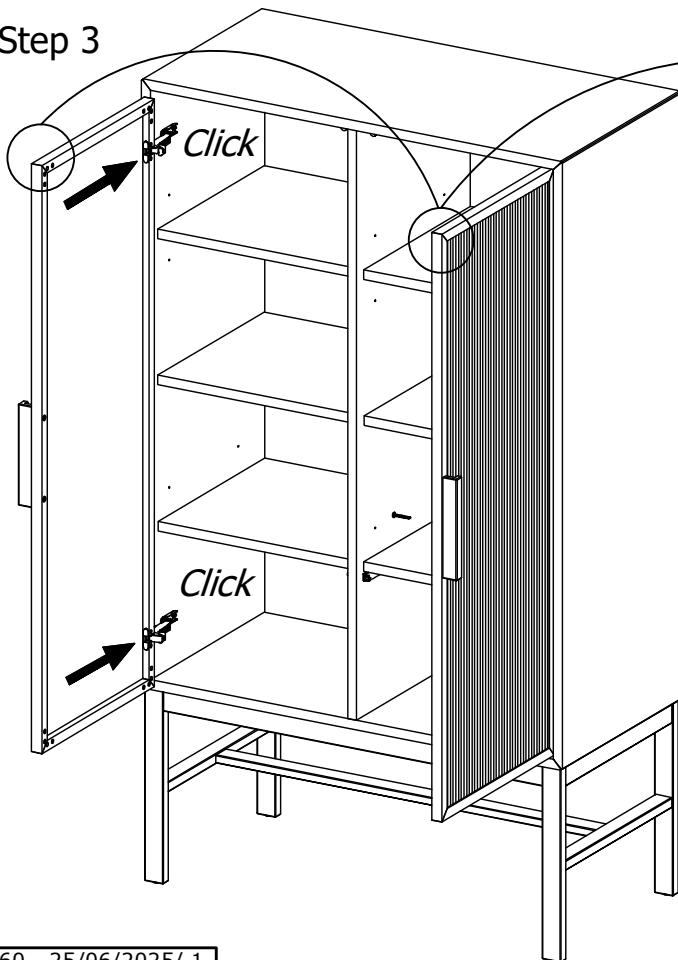
Step 1



Step 2



Step 3



Step 4

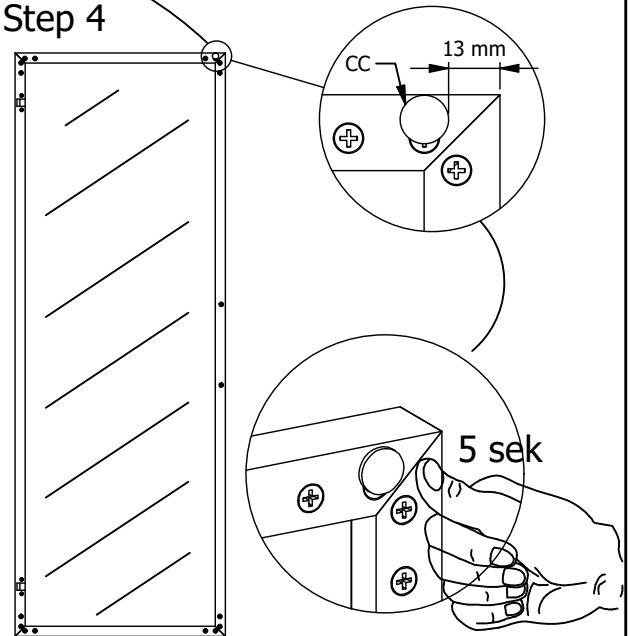
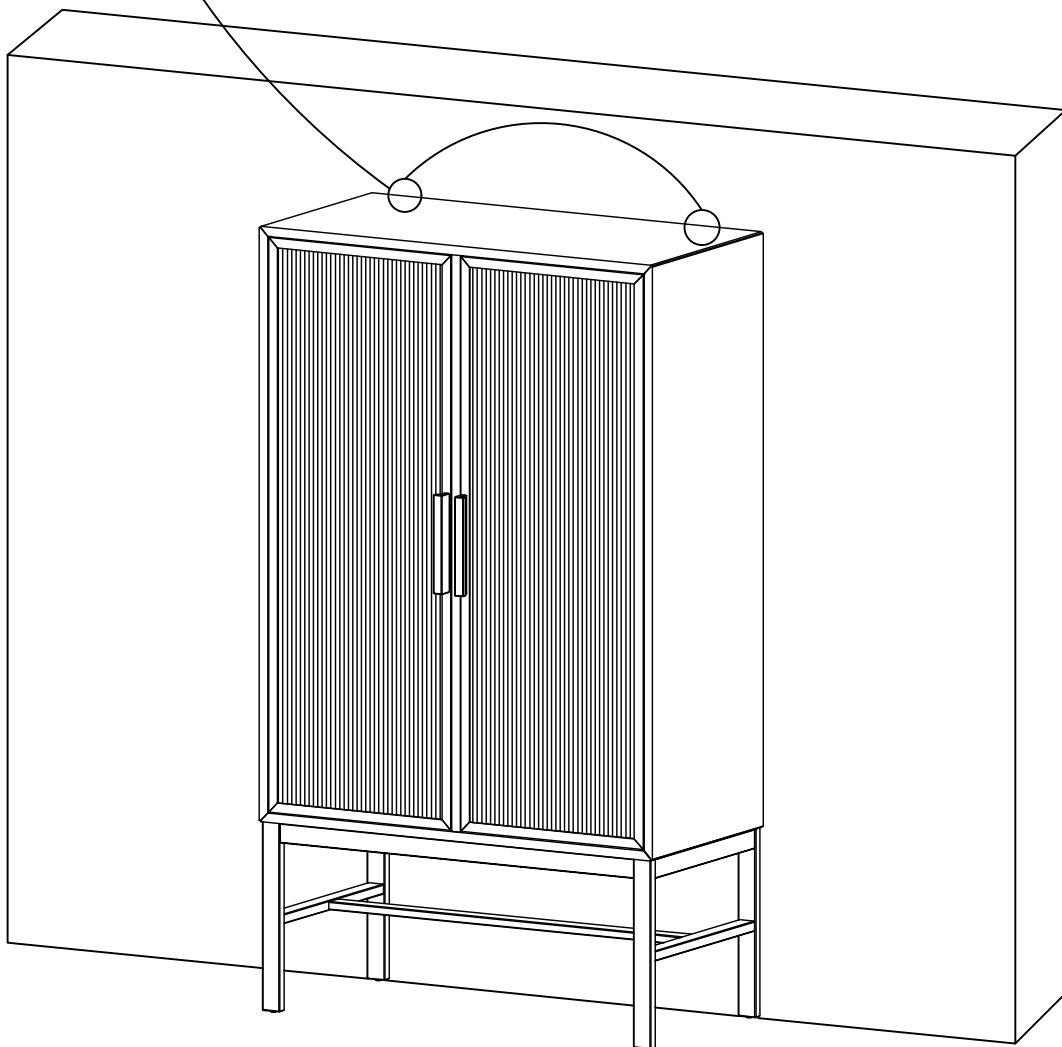
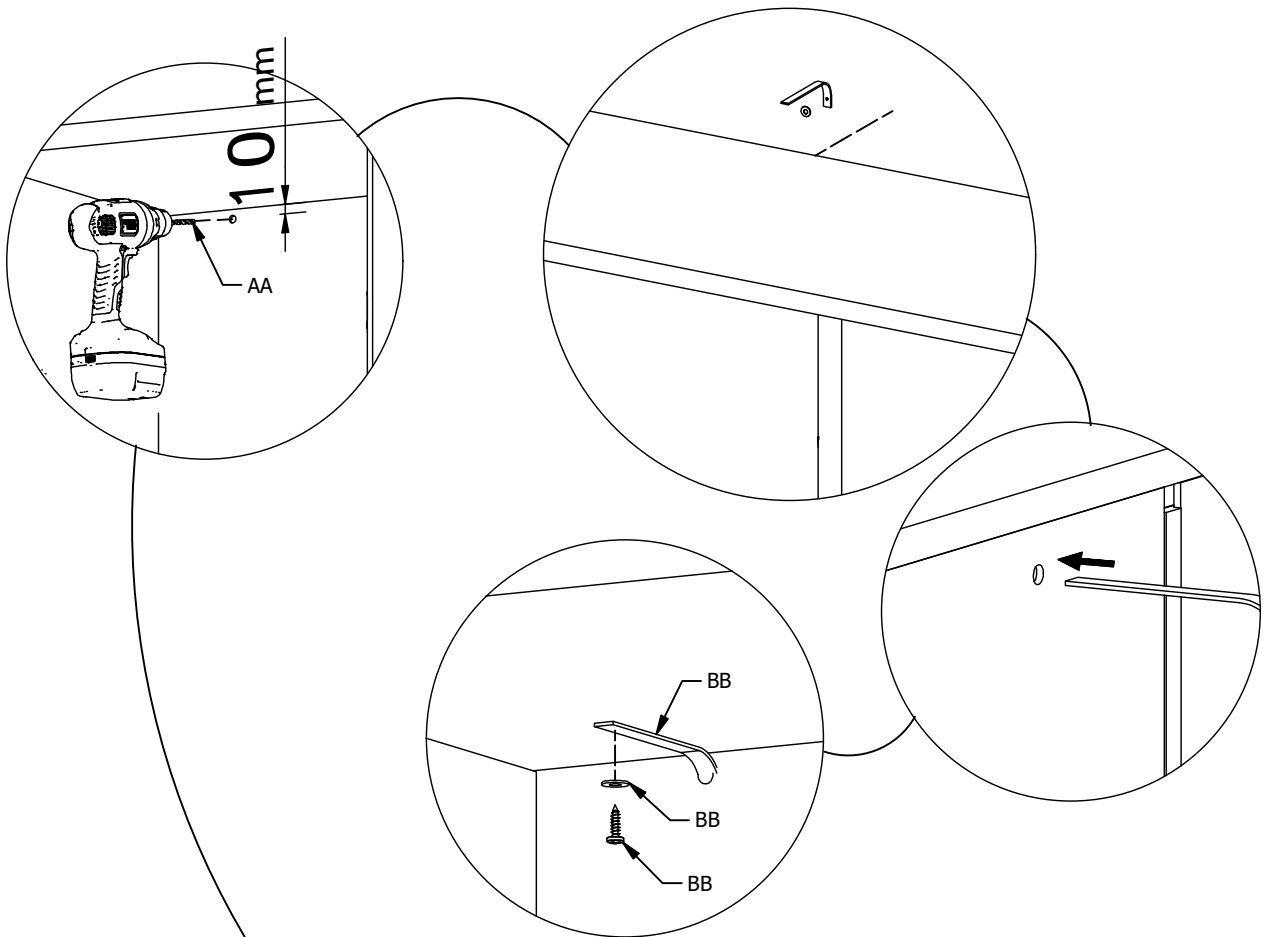
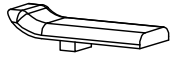


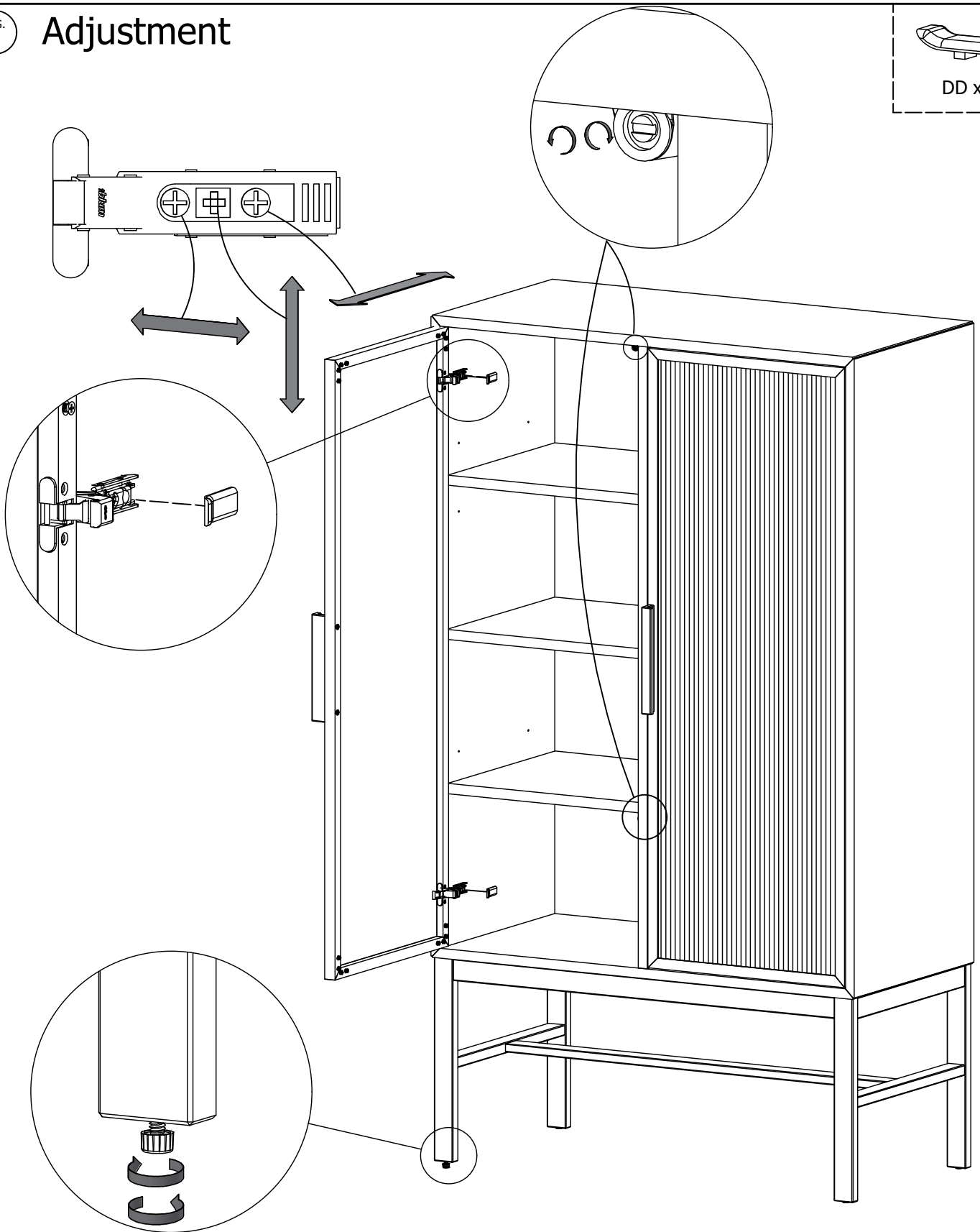
FIG.
7



Adjustment



DD x 4



DK Ved reklamation oplyses følgende:

D Im Reklamationsfall, bitte folgendes erläutern:

US In case of claims, please state the following:

F En cas de réclamation, veuillez indiquer:

NL Bij service volgene mededelen

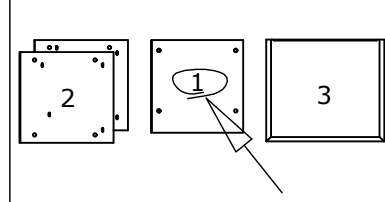
E En caso de reclamación, indicar lo siguiente:

P No caso de reclamação, por favor indique o seguinte:

JP お気づきの点等ございましたら、以下の点をお知らせください。

Example!

Korpus - Korpus - Carcase - Carcasse



Beslag - Fittings - Beschläge - Set de Montage



A X 8
1972000014



B X 12
1972000004



C X 4
1979110830



D X 2
1970120000



H X 2
1978504022



J X 8
1978204210