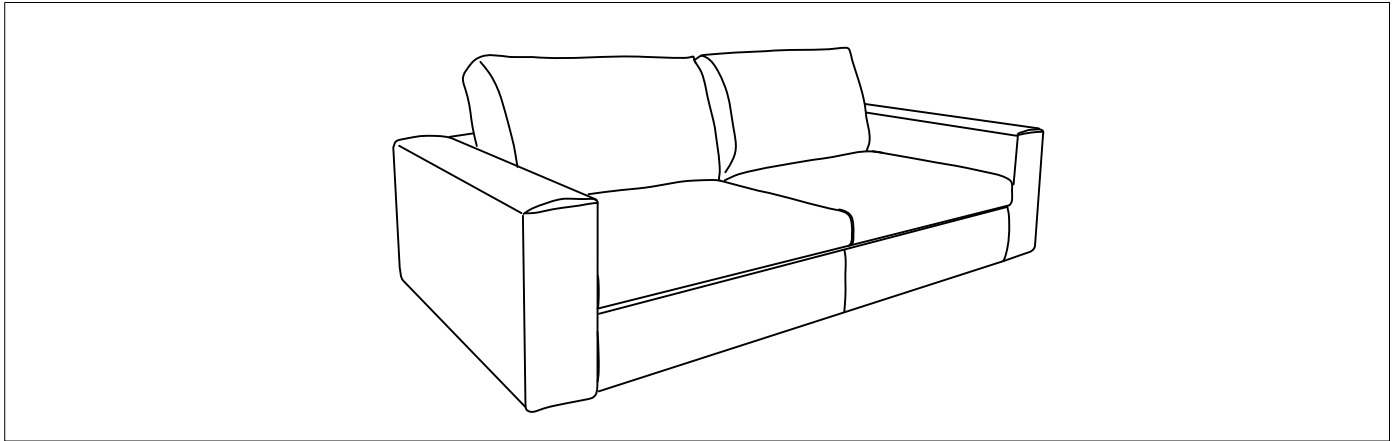


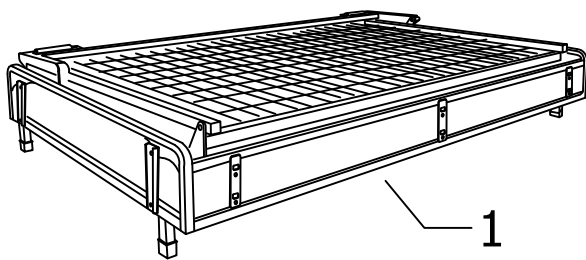
Taylor

Design by BoConcept

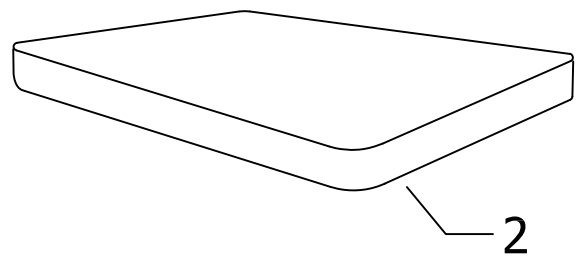
Samvejledning - Assembly Instructions - Montageanleitung - Instructions d'assemblage - Instrucciones de montaje



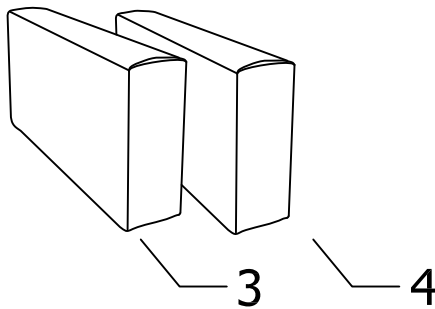
Coll.1



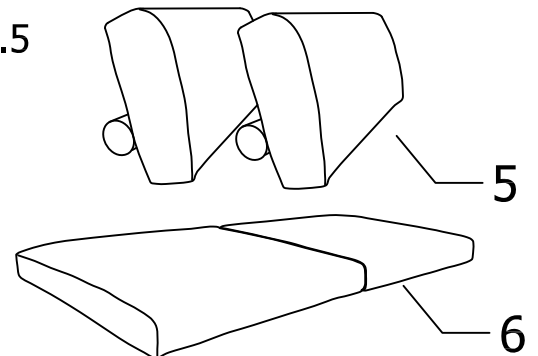
Coll.2



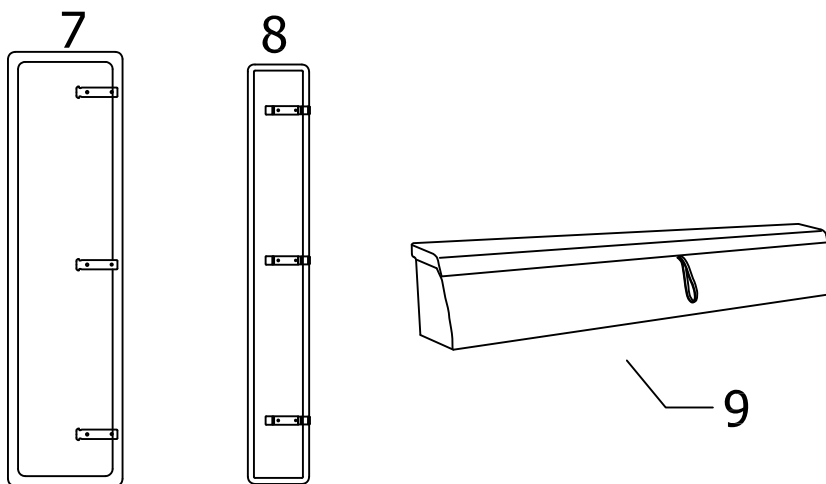
Coll.3



Coll.5



Coll.4



Fitting bag 697000012


A x 4
M8 x 30mm


B x 4


C x 4


D x 1
5mm

Attention!

It takes 2 persons to do the assembly on Fig.4 & 8 & 9

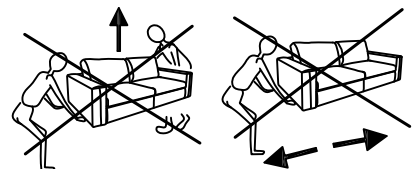


FIG. 1
1

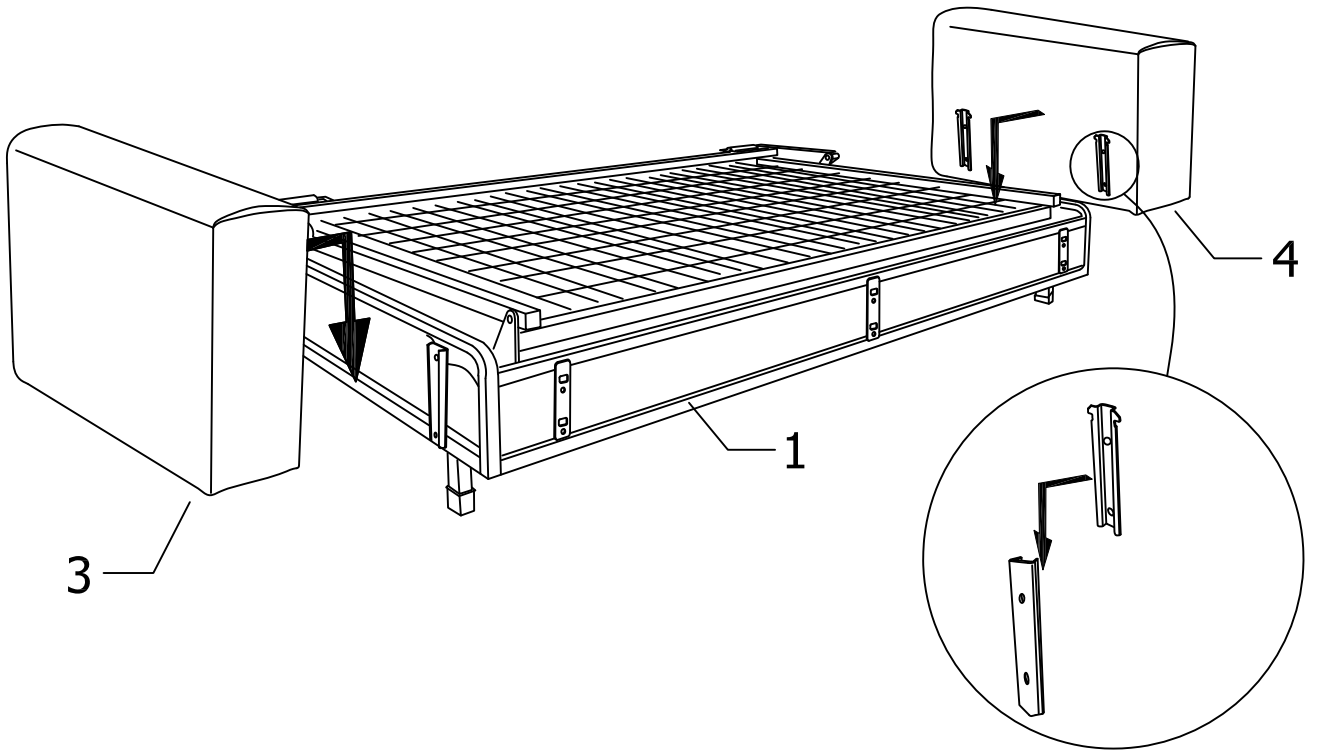


FIG. 2
2

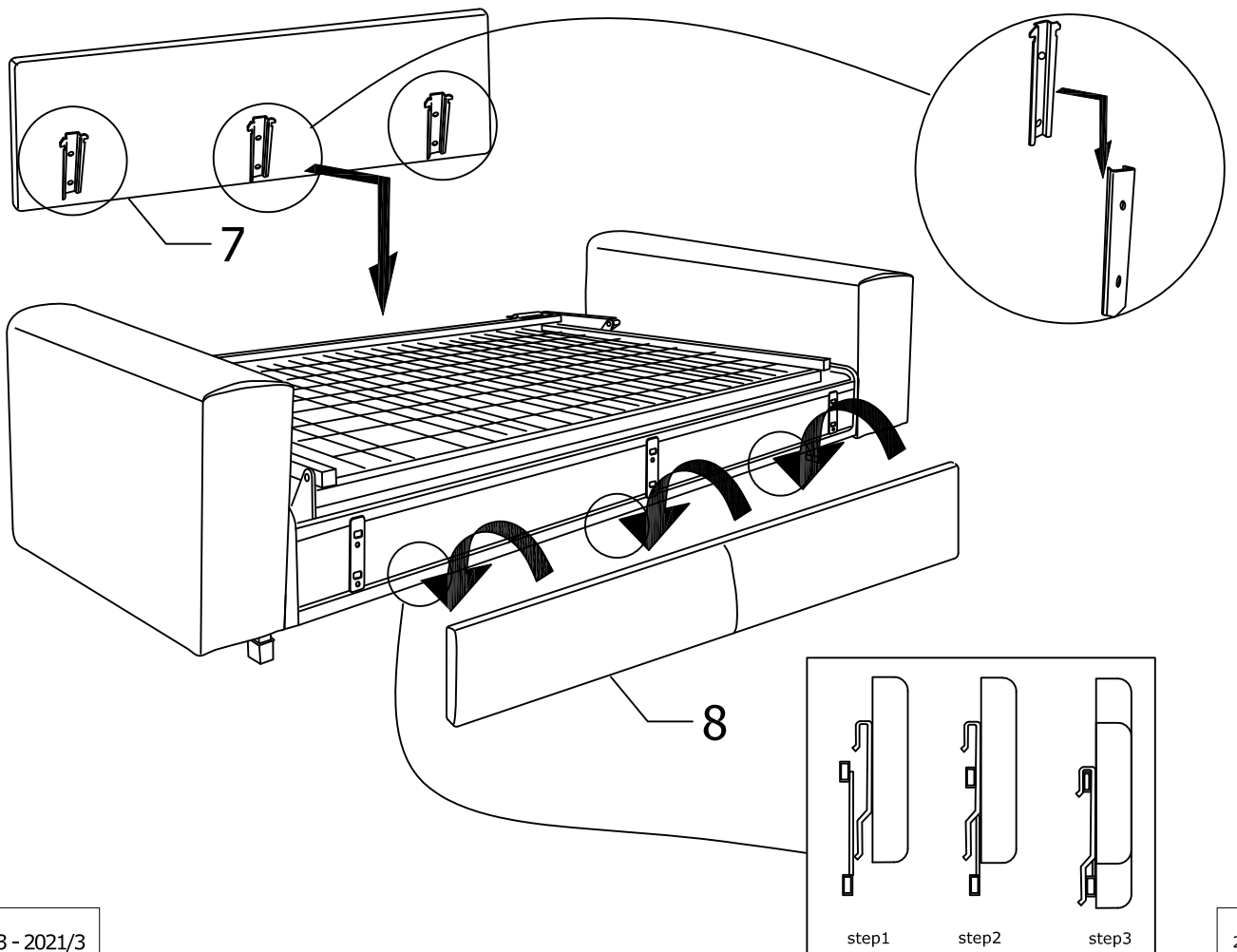






FIG.
3

-  Ax 4
-  Bx 4
-  Cx 4
-  Dx 1

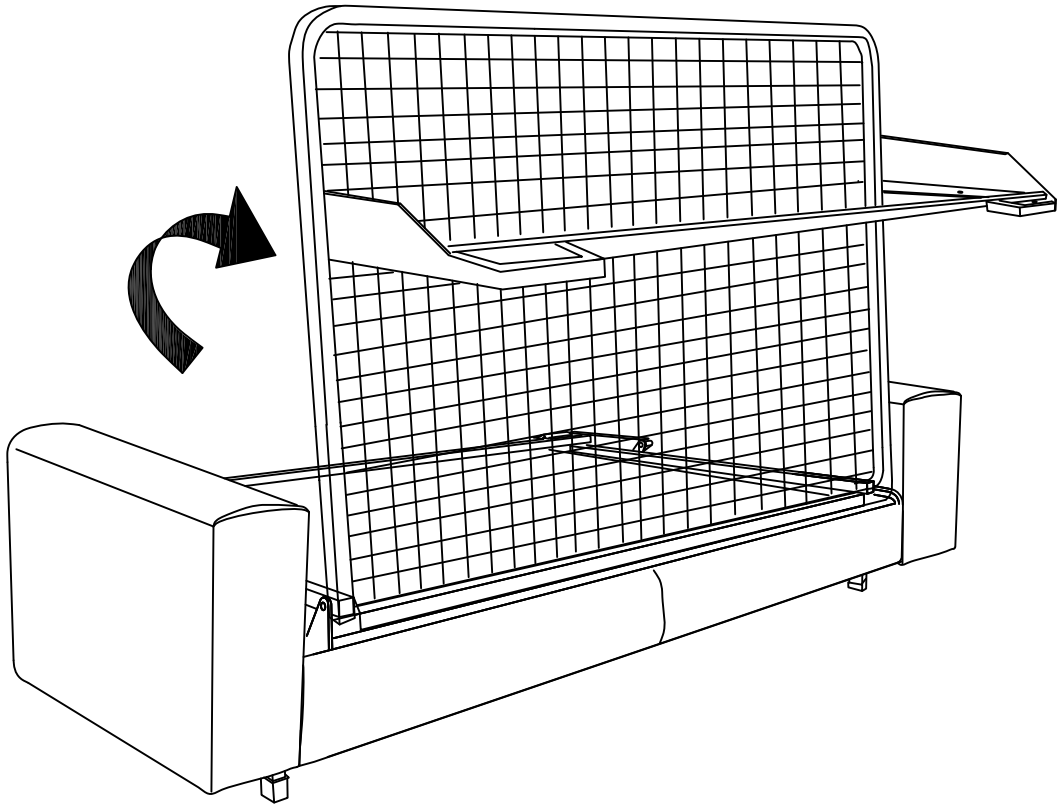


FIG.
4

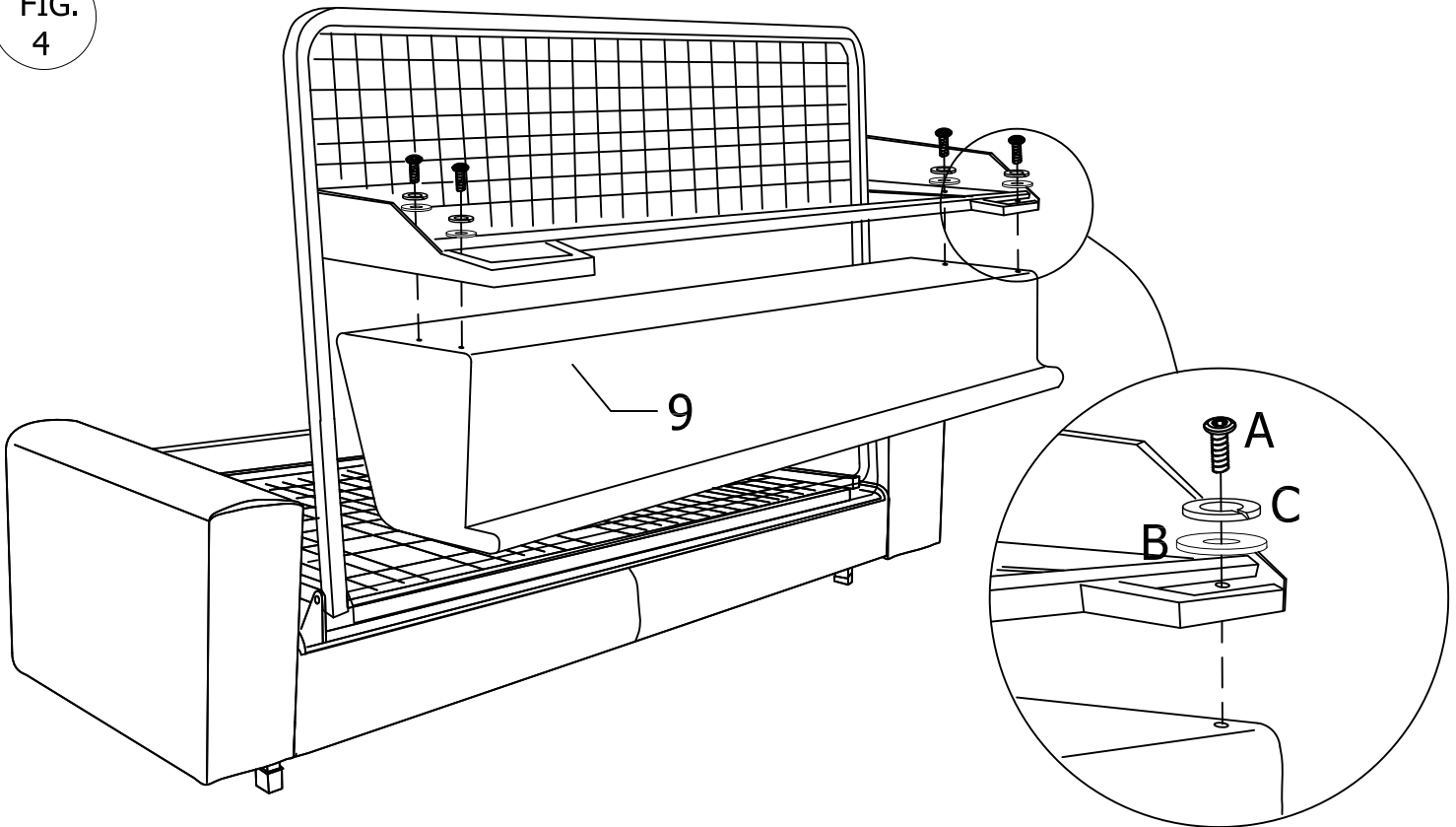


FIG.
5

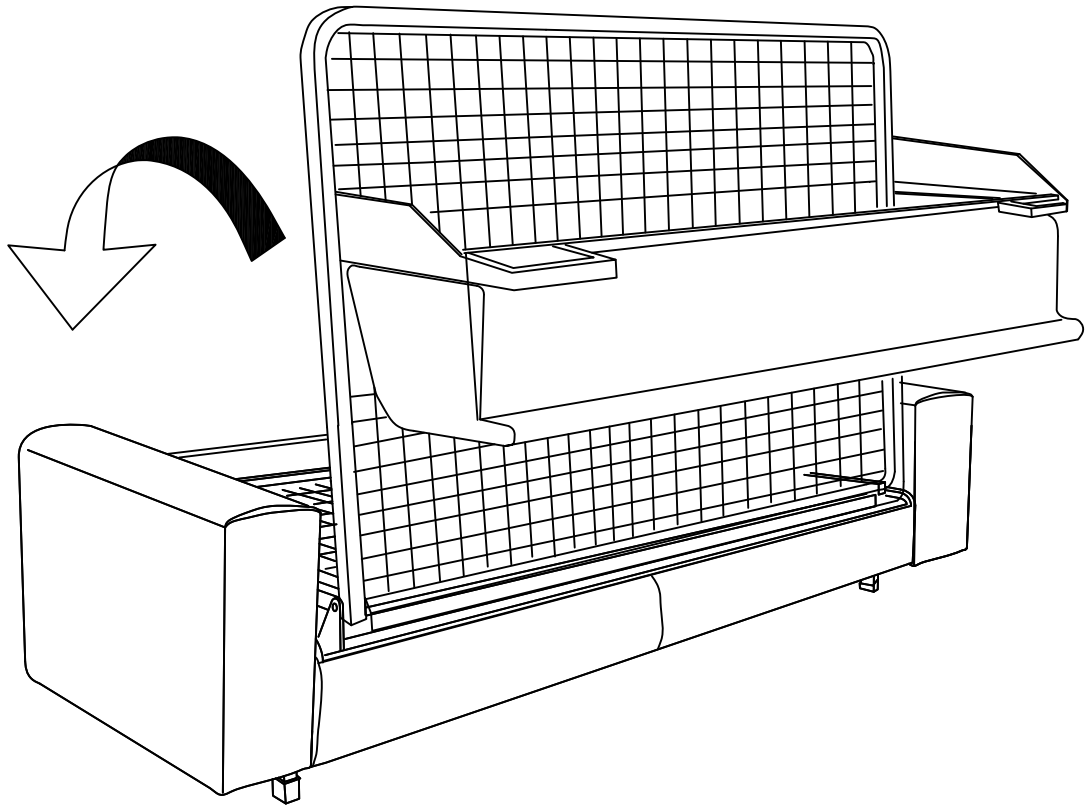


FIG.
6

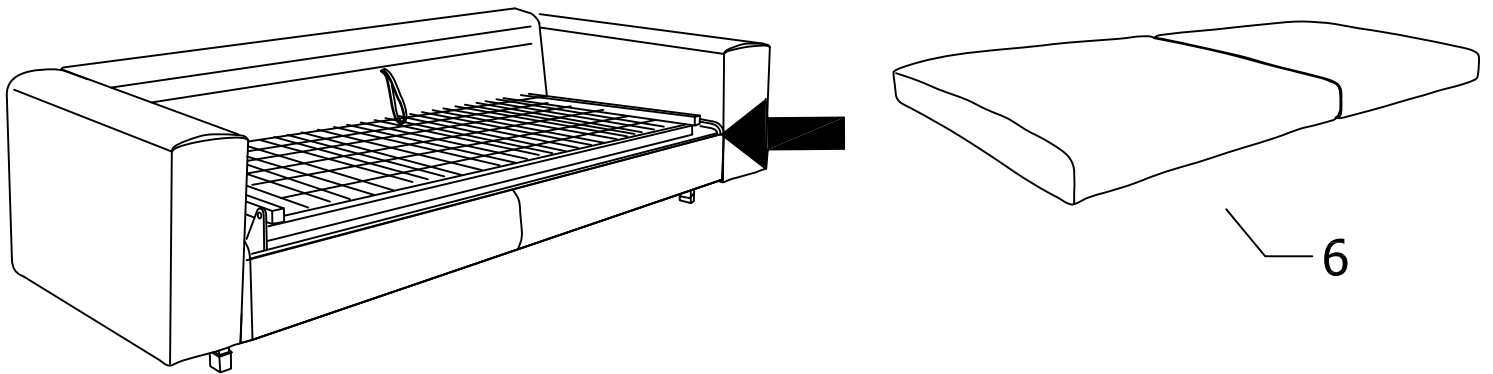


FIG.
7

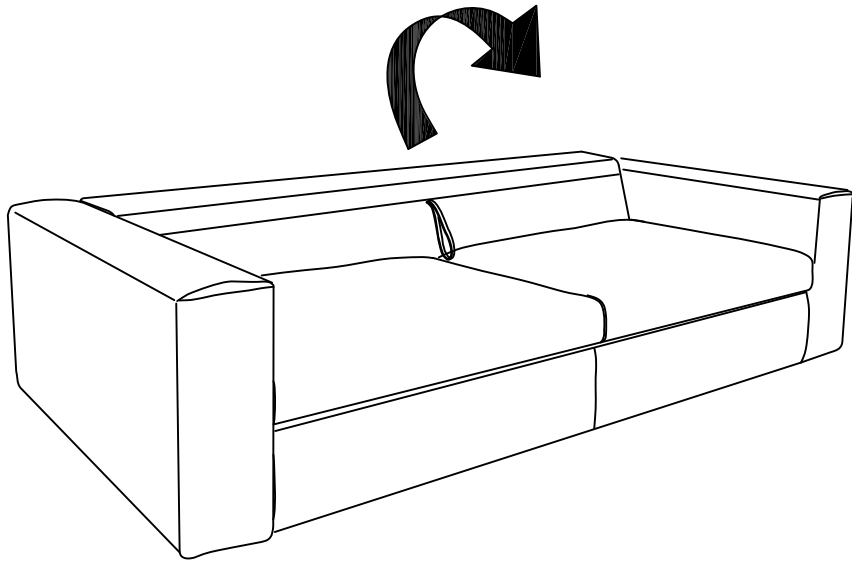
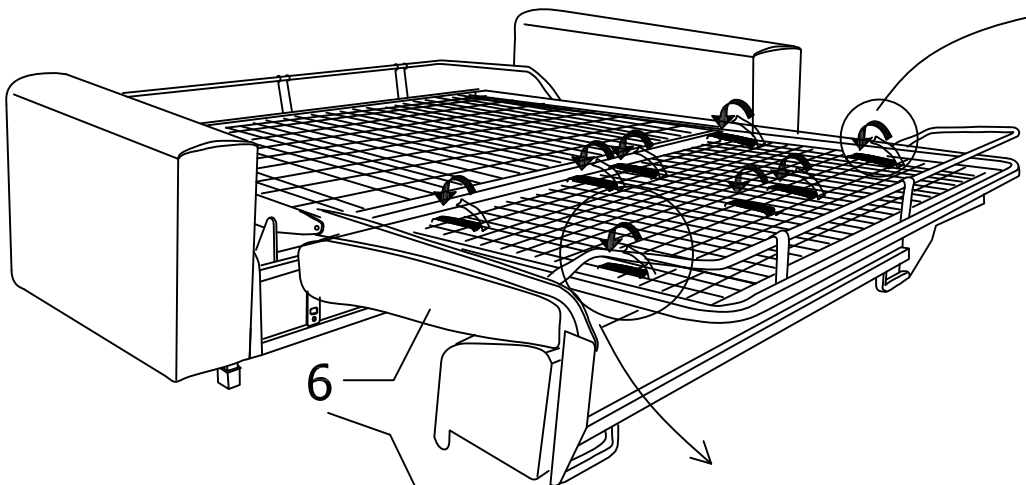


FIG.
8



6

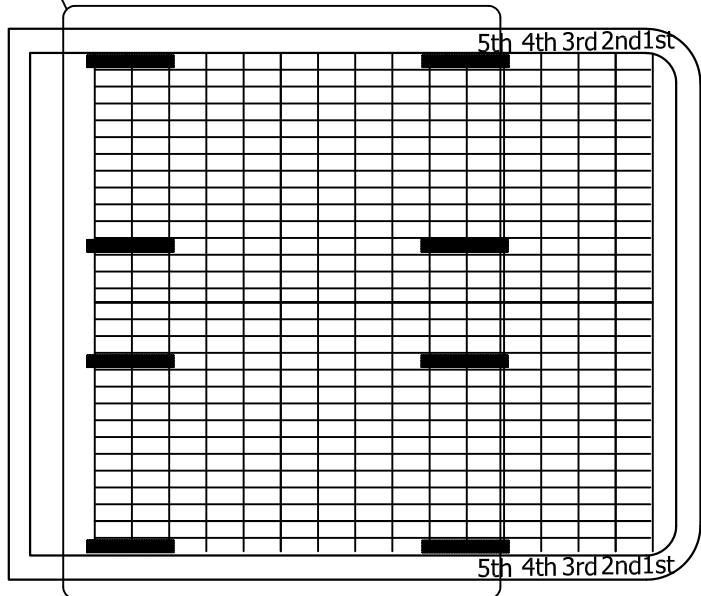


FIG.
9

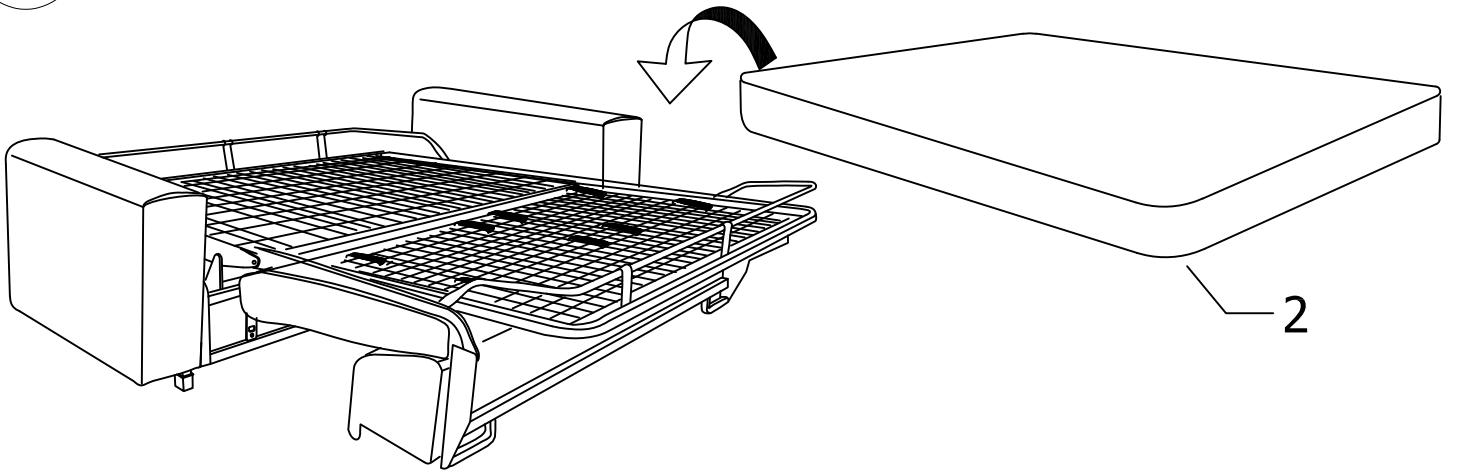


FIG.
10

