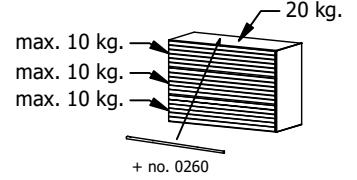
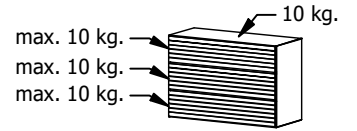
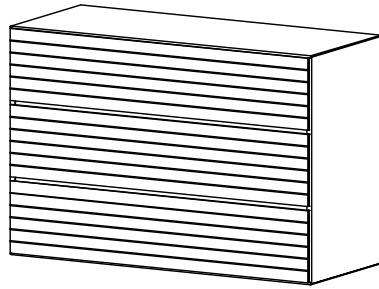


# Lugano

Design by BoConcept

Samvejledning - Assembly Instructions - Montageanleitung - Instructions d'assemblage - Instrucciones de montaje

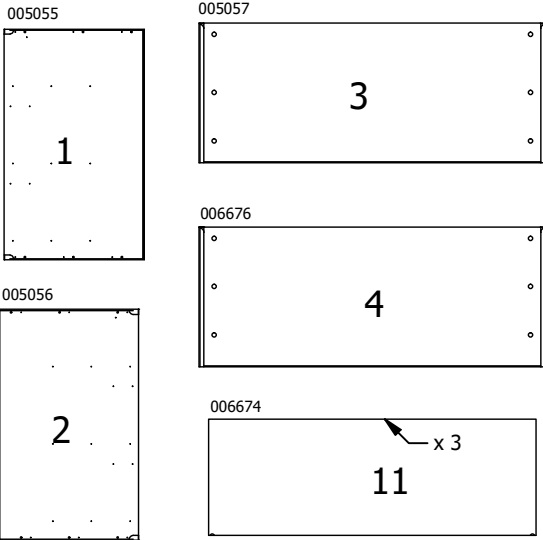


## 3620

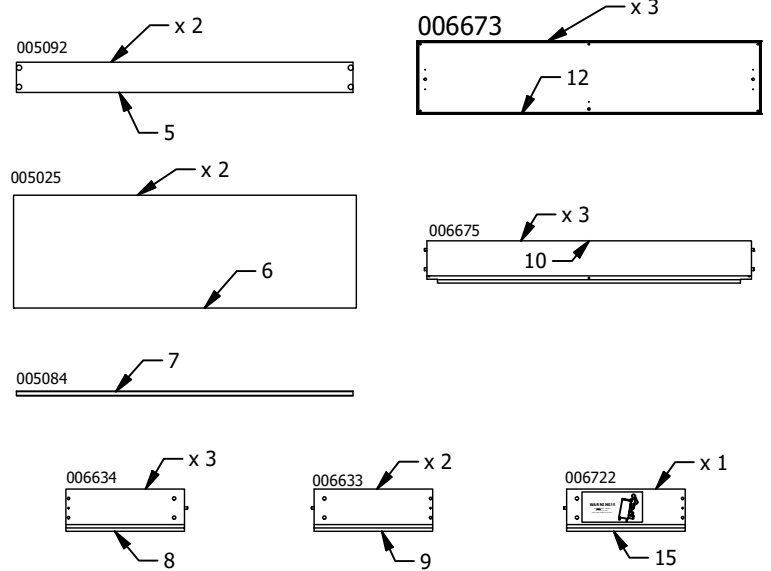
76,8x115,2x48,0 cm / max. 40kg.

Korpus - Korpus - Carcase - Carcasse

Colli no. 3621

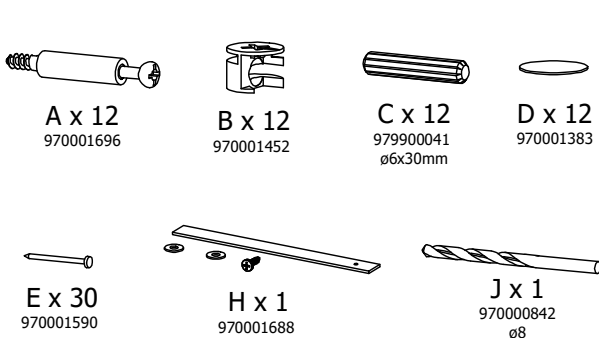


Colli no. 3622

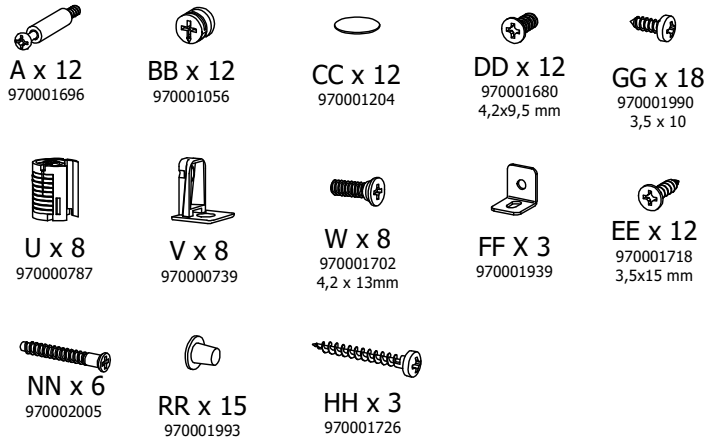


Beslag - Beschläge - Fittings - Set de montage

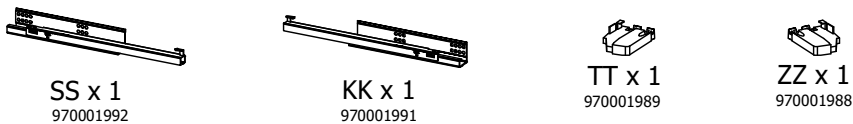
Colli no. 3621 - Fittingbox: 930001147



Colli no. 3622 - Fittingbox: 930001158



Fittingbox: 930001146 x3  
Col. 3622



Værktøj - Werkzeuge - Tools - Outils

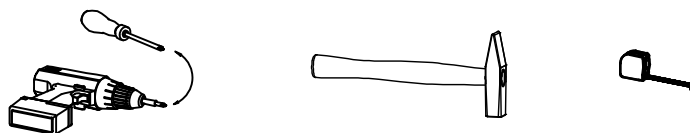



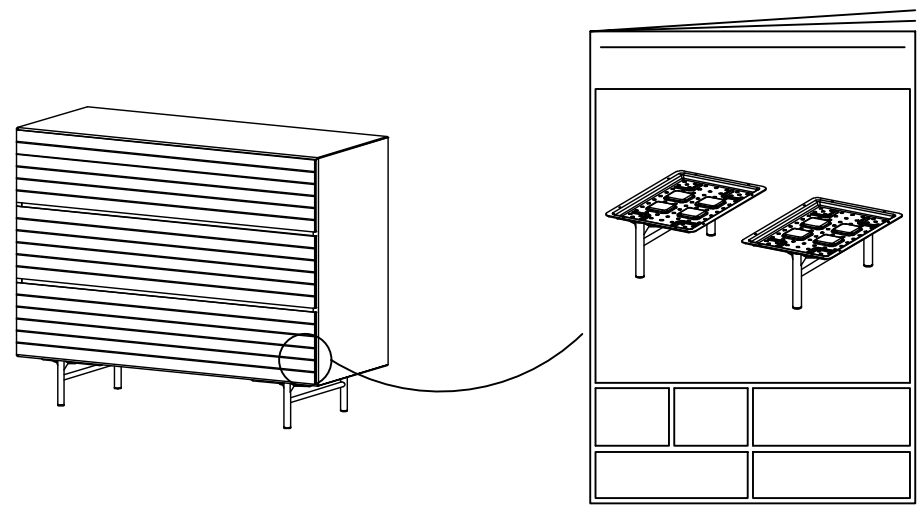
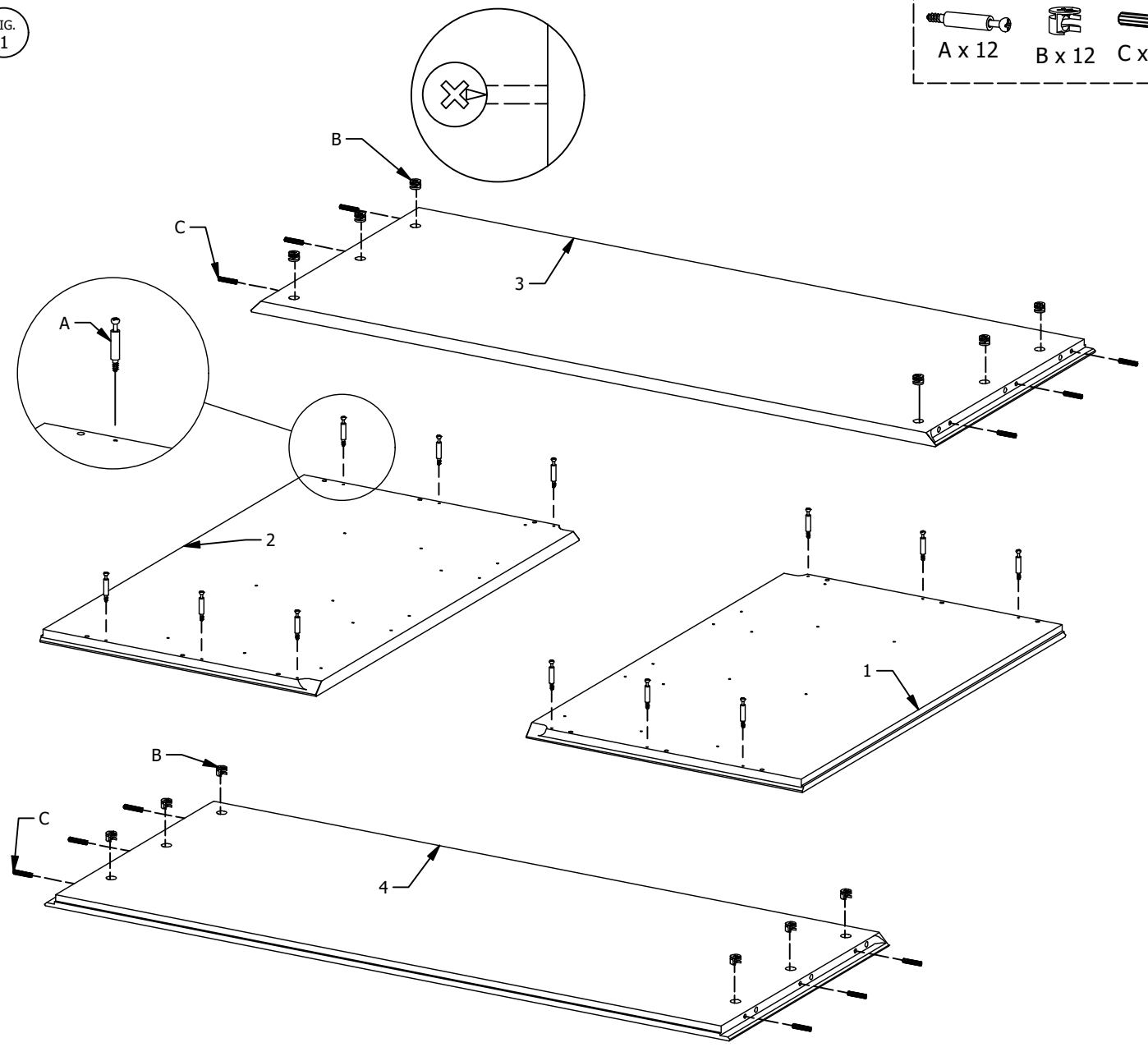
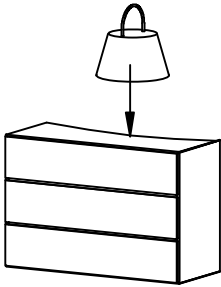


FIG. 1

-  A x 12
-  B x 12
-  C x 12



# Attention! model 0260



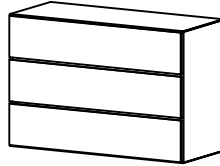
No. 3400

+



No. 0260

=



OK



FIG. 3

FIG. 2



D x 12

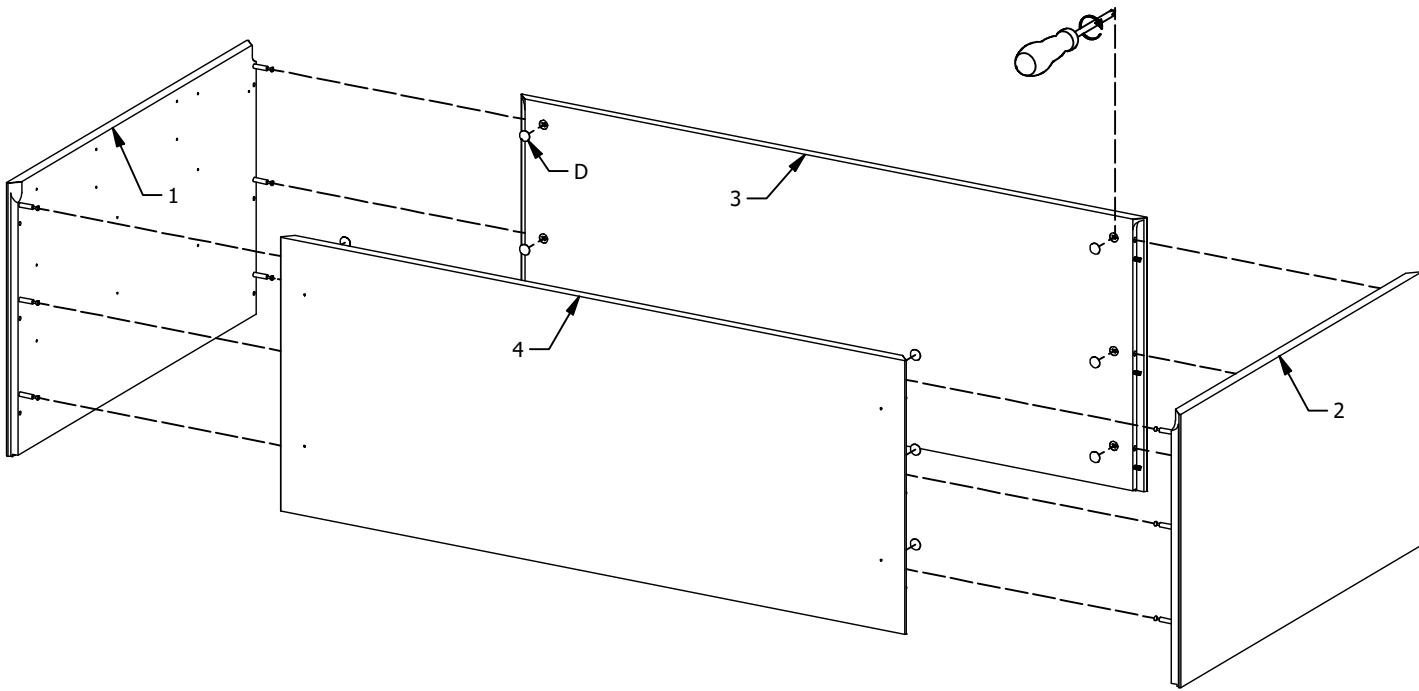

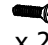



FIG. 3

		
x 2	x 2	x 5
970001358 D16	970000764 4,2x16mm	970001725 3,5 x 16

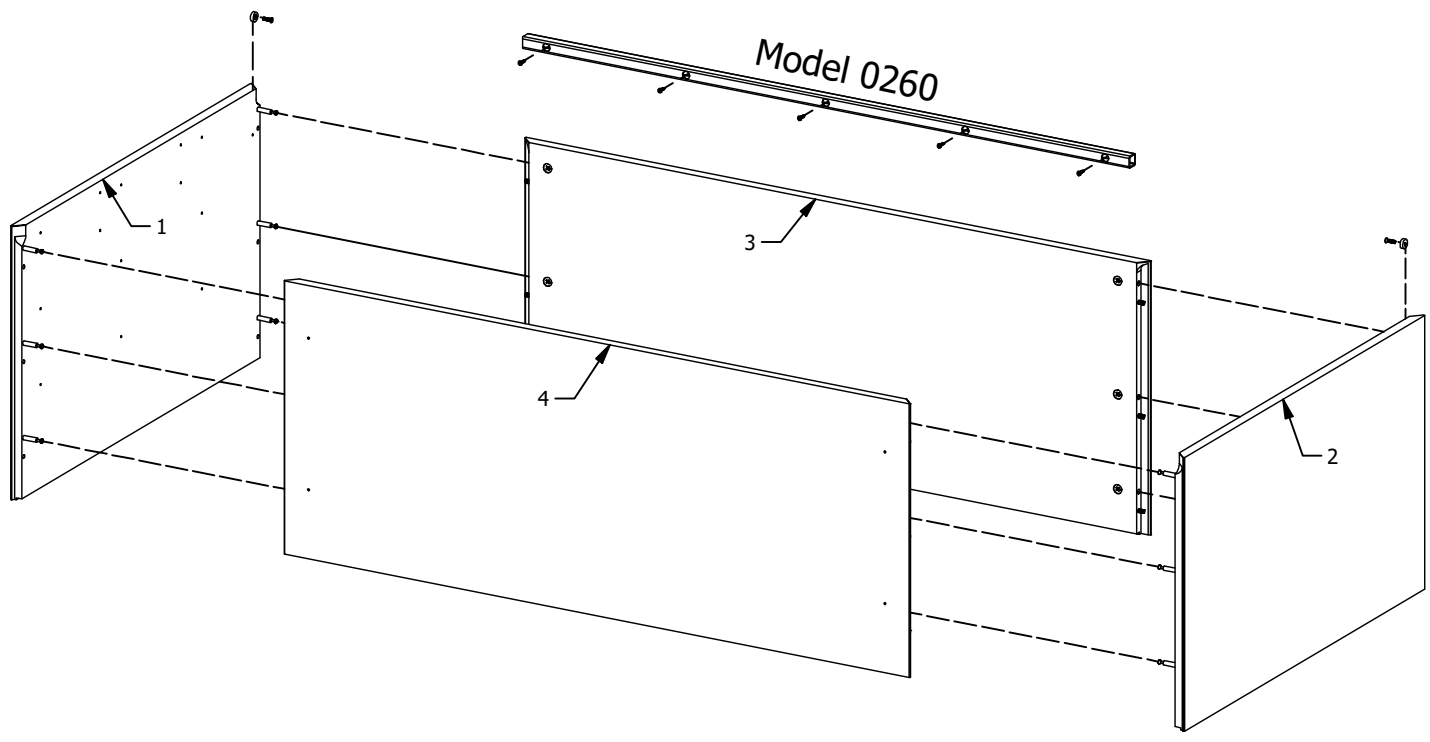
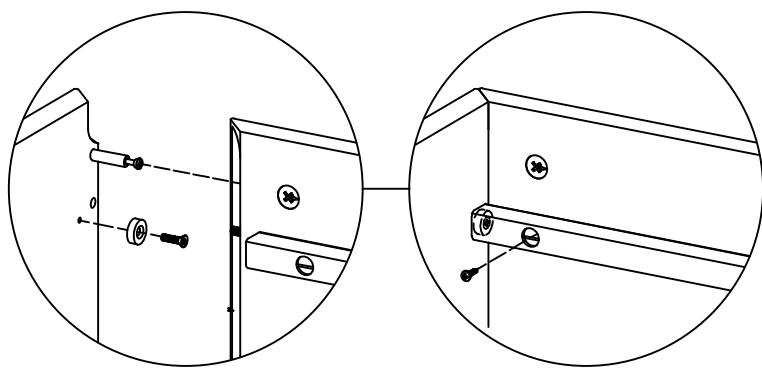
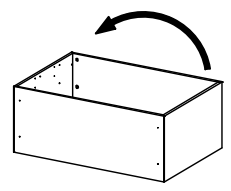



FIG. 4




E x 30

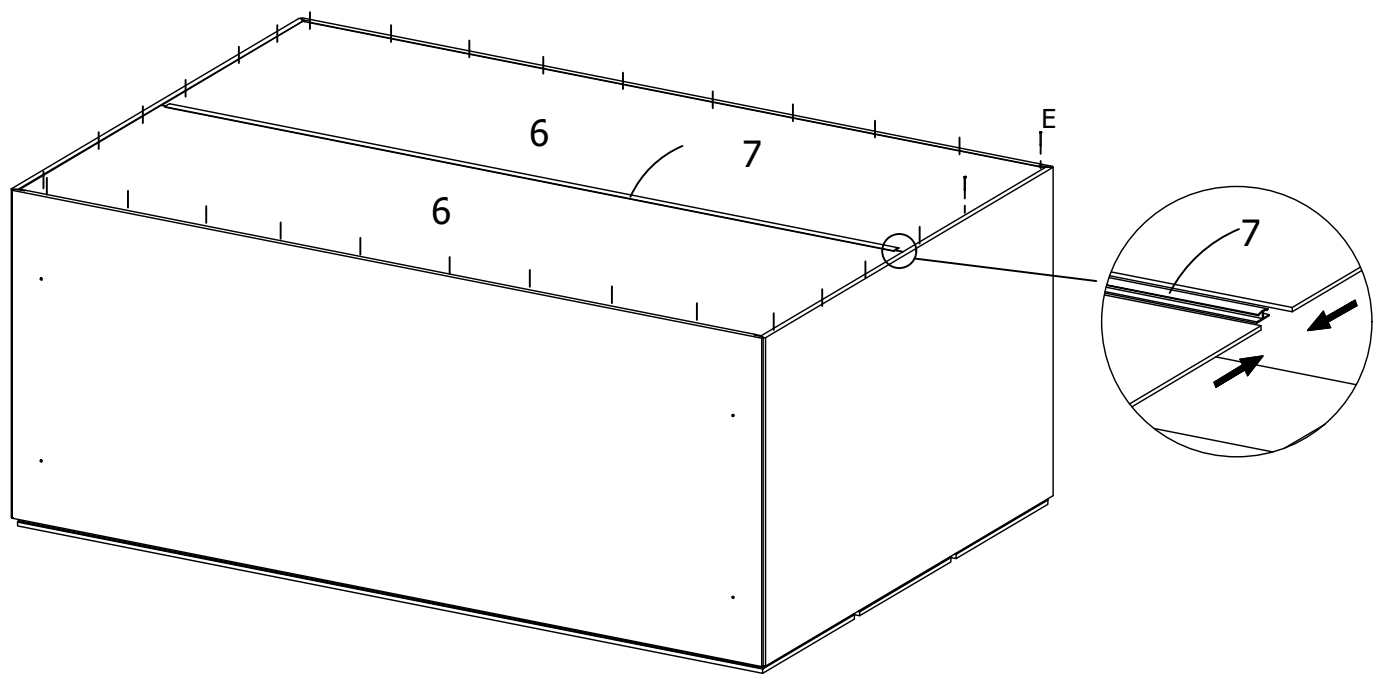


FIG. 5

U x 8    V x 8    W x 8

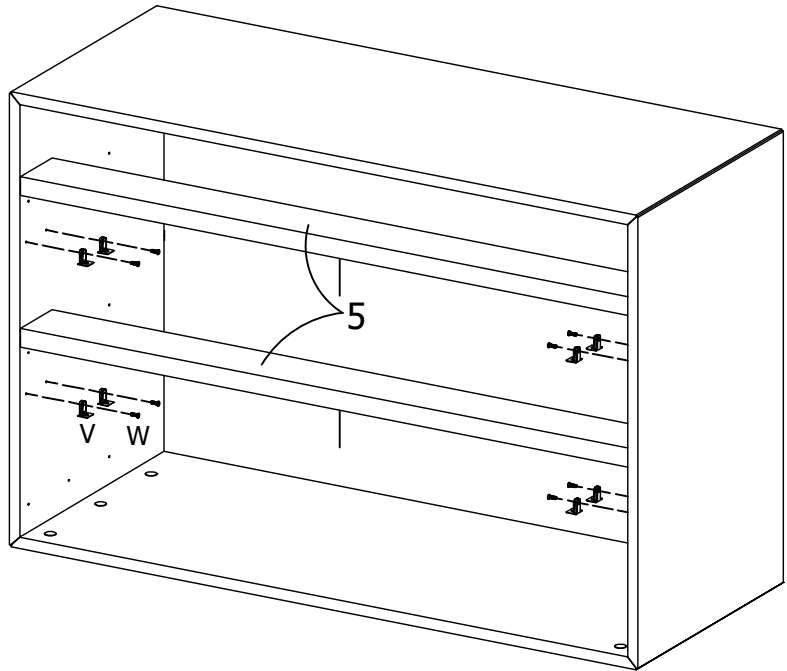
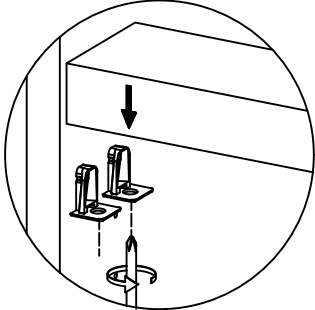
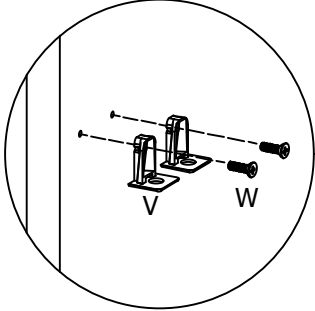
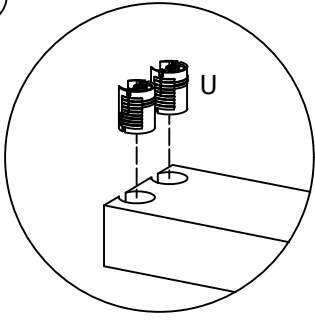


FIG. 6

SS x 3    KK x 3    DD x 12    EE x 12

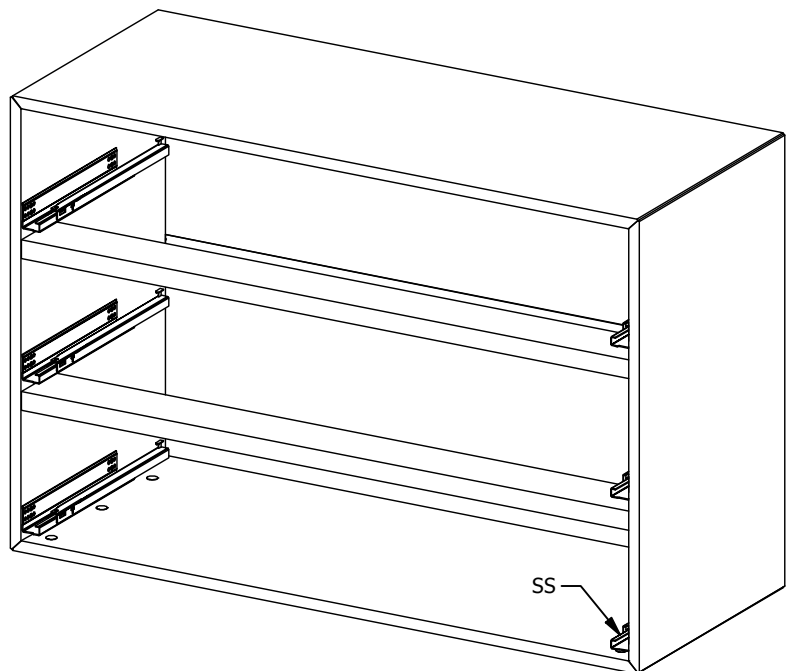
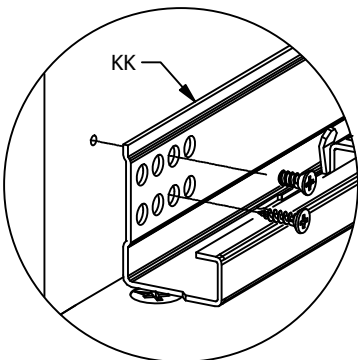
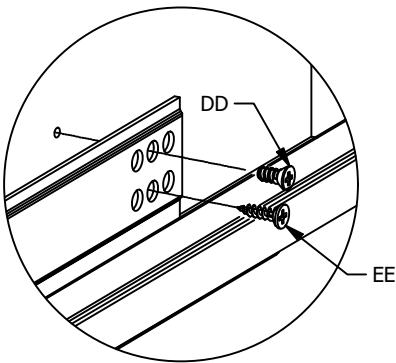


FIG. 7

A x 12 RR x 15

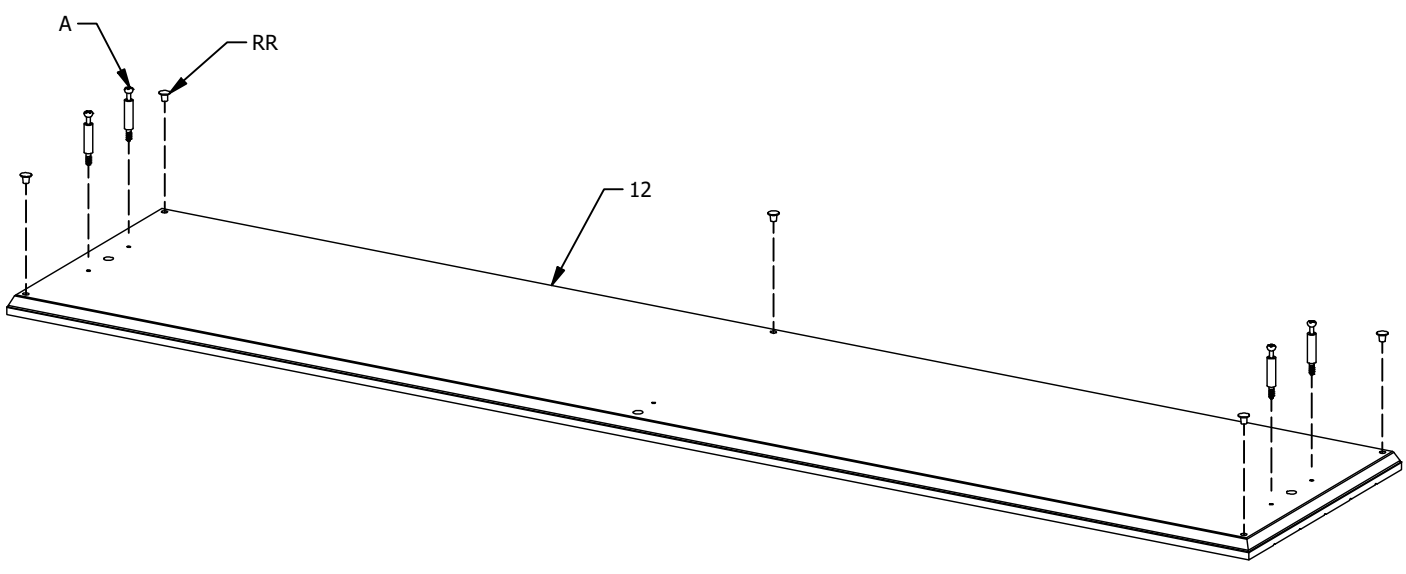


FIG. 8

BB x 12 CC x 12

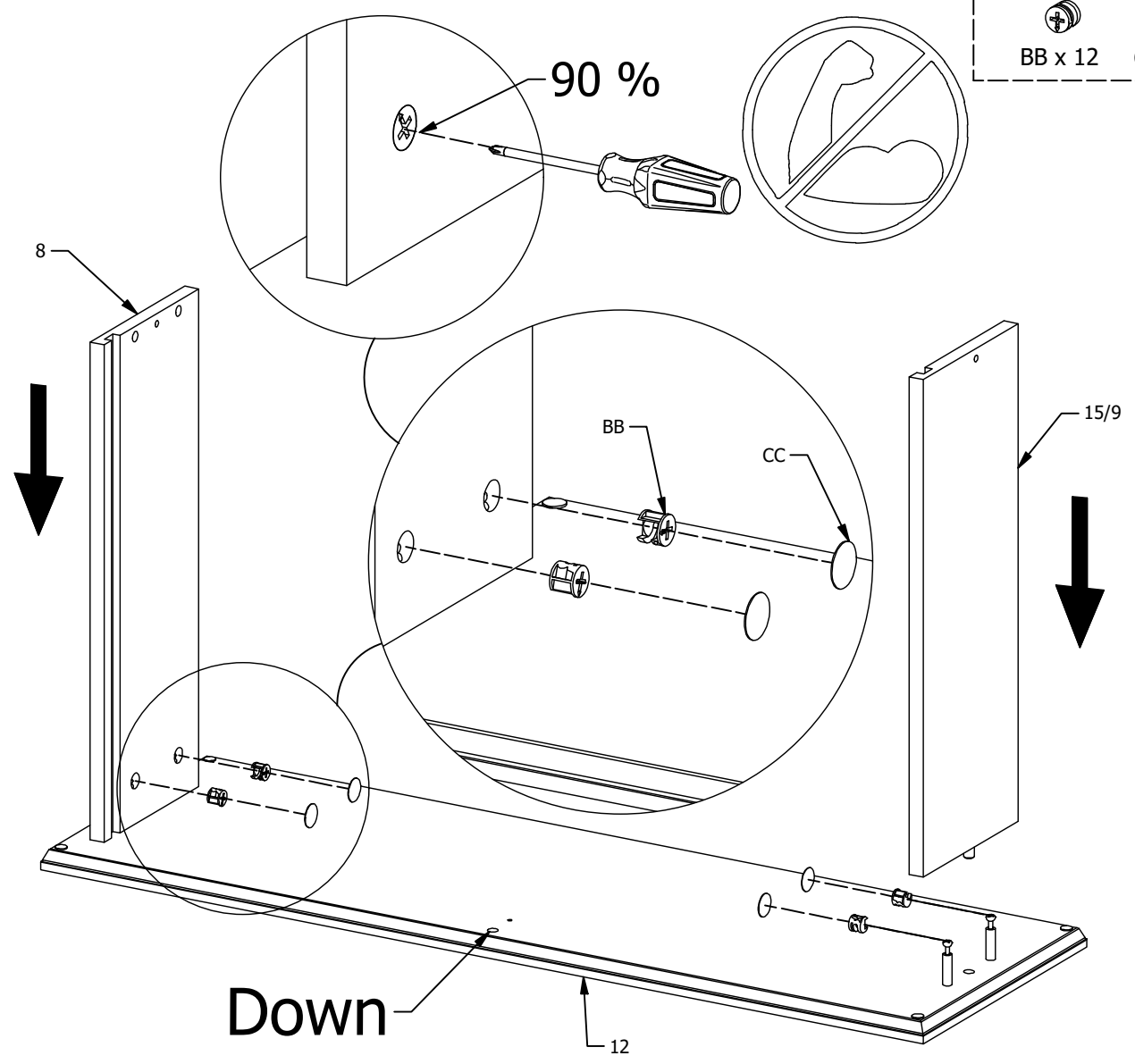


FIG. 9

# Important

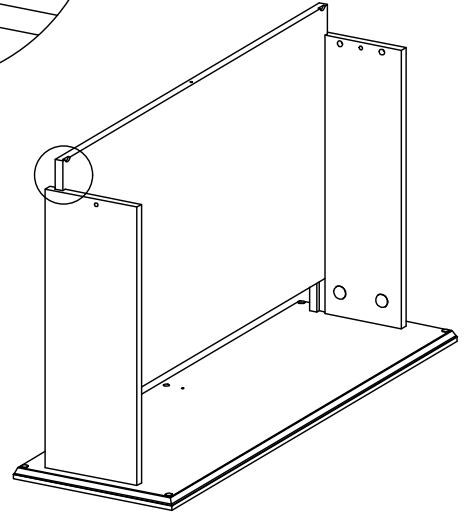
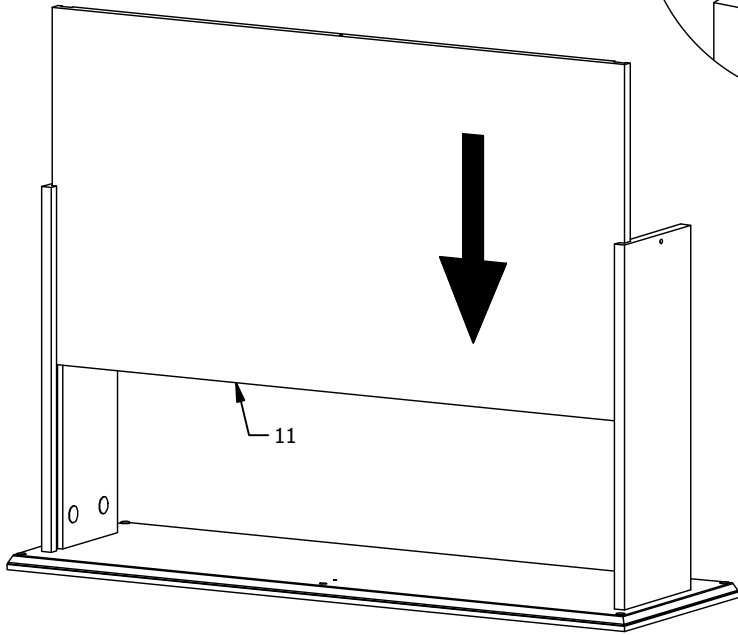
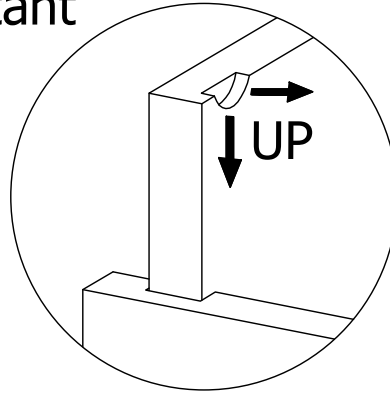


FIG. 10

NN x 6

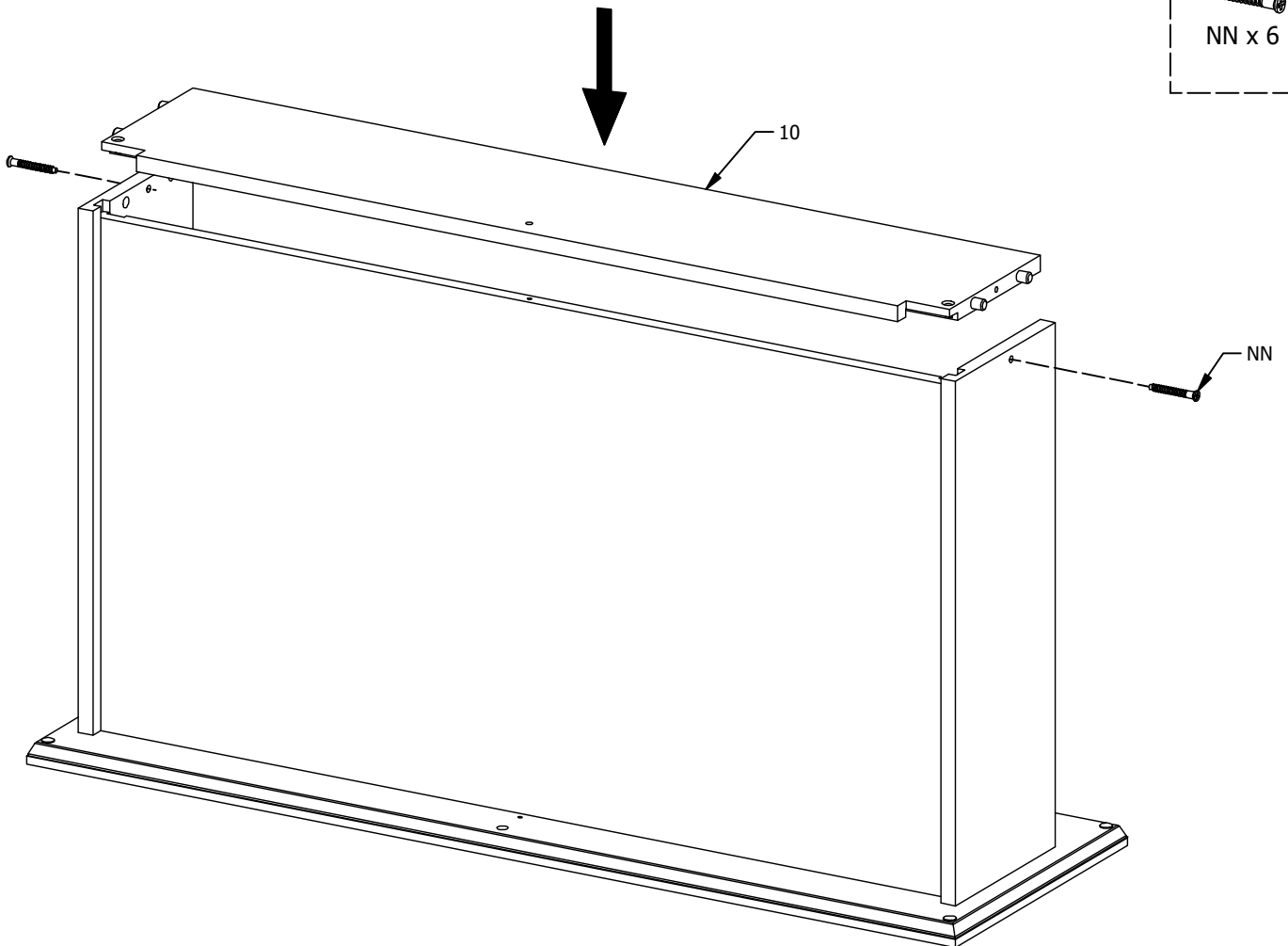


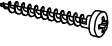


FIG. 11

-   
GG x 6
-   
FF X 3
-   
HH x 3

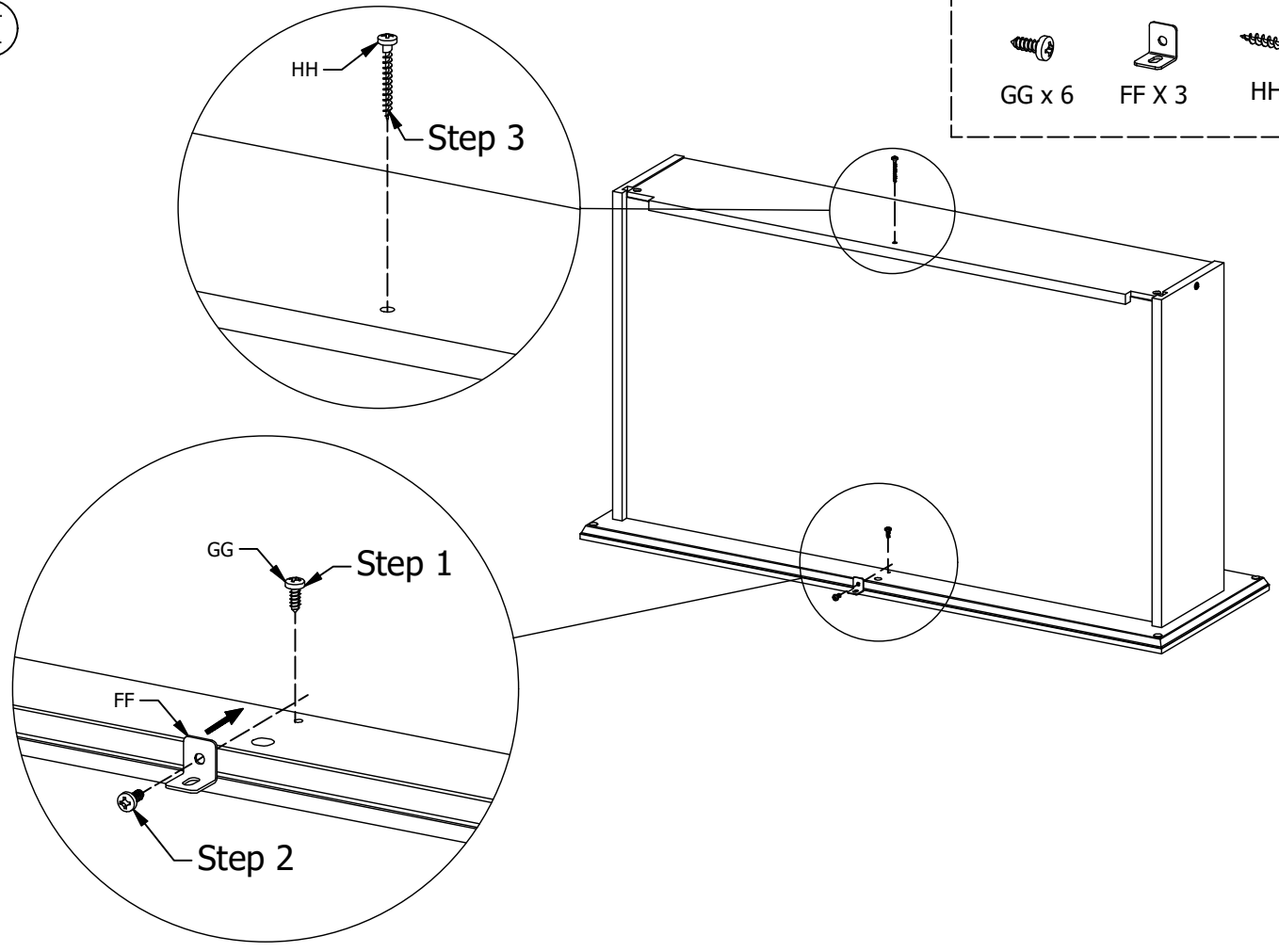



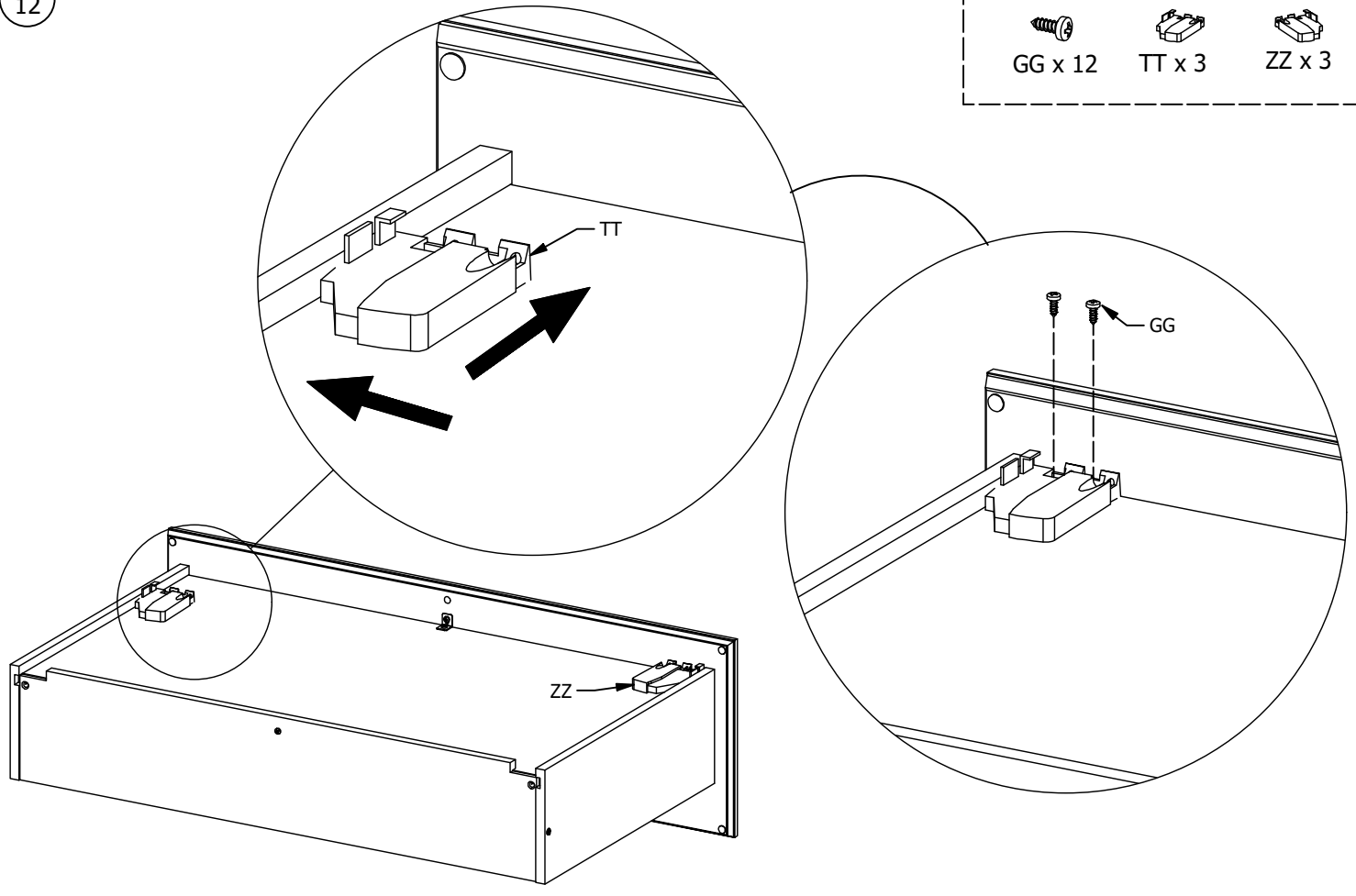
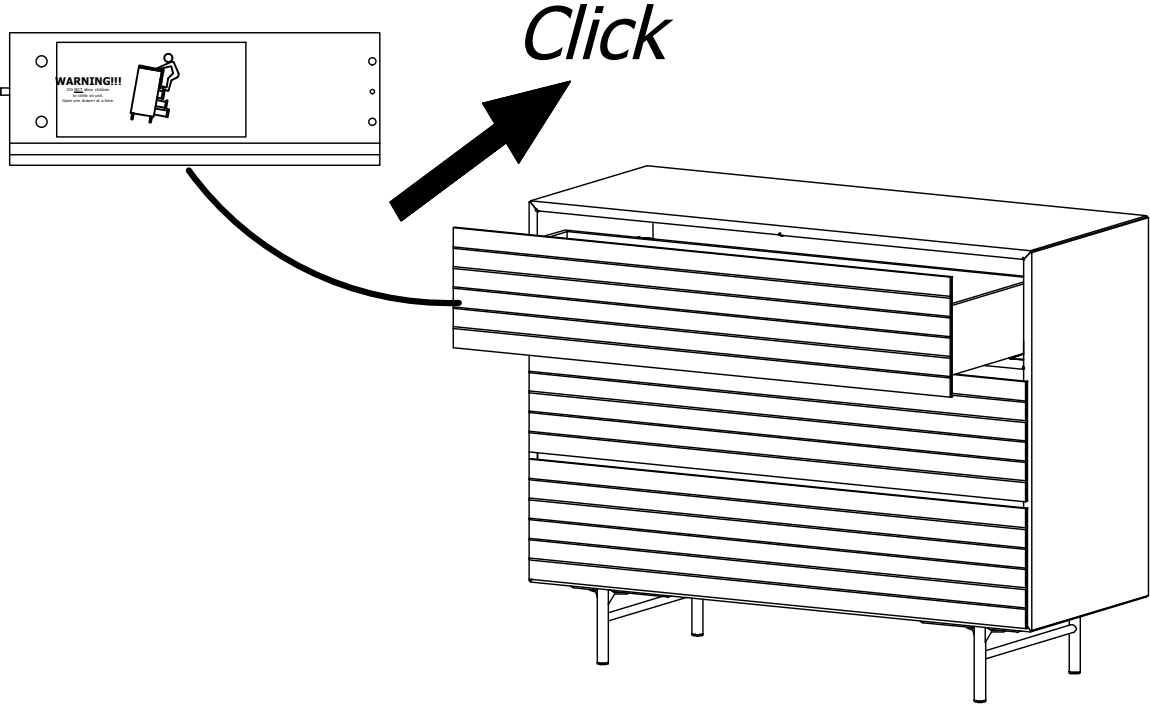


FIG. 12

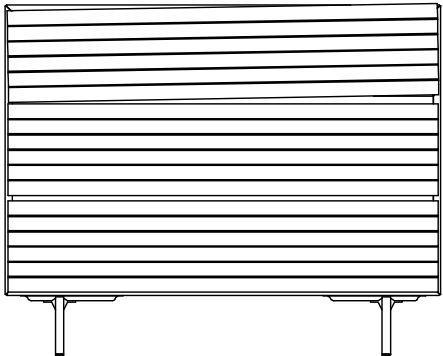
-   
GG x 12
-   
TT x 3
-   
ZZ x 3



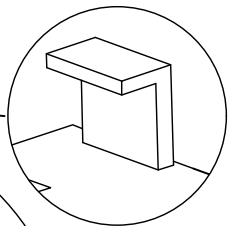
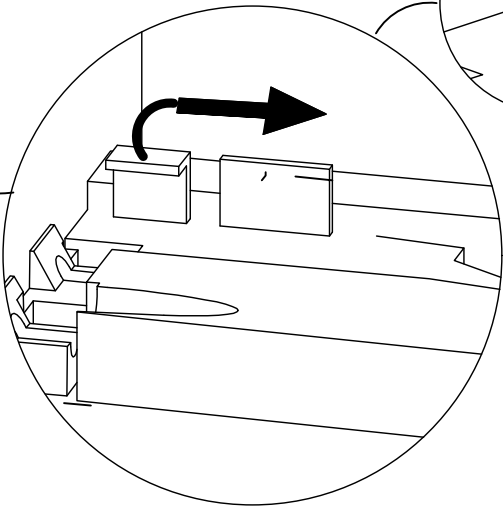
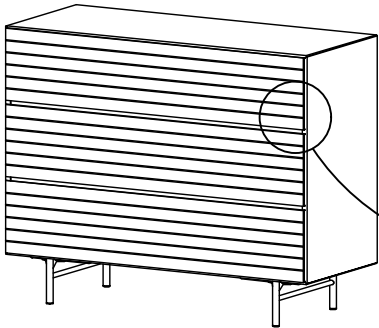
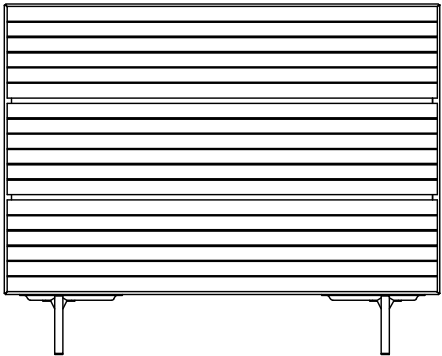


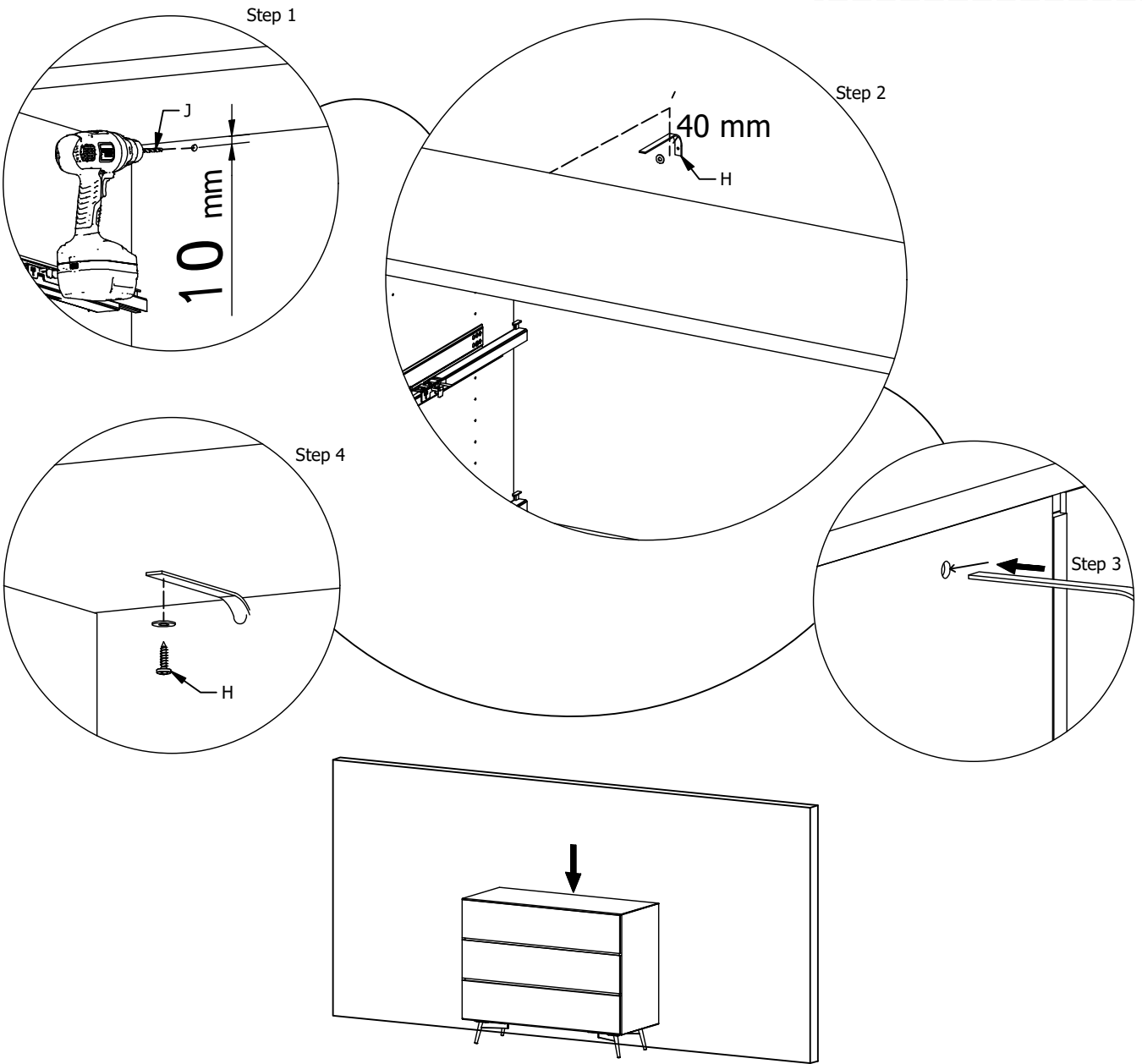
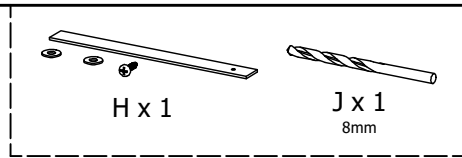


Attention!



OK!





**DK:**  
 Vægforhold kan bevirke, at det ikke er tilrådeligt at benytte de medfølgende skruer/rawplugs.

**US:**  
 The condition of the wall may mean that it is inadvisable to use the enclosed screws and rawplugs.

**D:**  
 Die Wandbeschaffenheit kann ggf. dazu führen, dass eine Verwendung der beigefügten Schrauben/Dübel nicht ratsam ist.

**E:**  
 Las condiciones de la pared pueden dar lugar a que no sea recomendable utilizar los tornillos/tacos adjuntos.

**F:**  
 Veuillez noter que les vis ou les chevilles jointes ne conviennent pas à tous les types de mur.

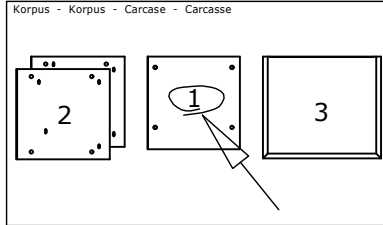
**NL:**  
 Er zijn muren waarin het niet valt aan te bevelen om de bijgevoegde schroeven/rawplugs te gebruiken.

**P:**  
 As condições da parede podem fazer com que seja recomendável utilizar os parafusos/buchas de fundo incluídos.



**DK** Ved reklamation oplyses følgende:  
**D** Im Reklamationsfall, bitte folgendes erläutern:  
**US** In case of claims, please state the following:  
**F** En cas de réclamation, veuillez indiquer:  
**NL** Bij service volgene mededelen  
**E** En caso de reclamación, indicar lo siguiente:  
**P** No caso de reclamação, por favor indique o seguinte:  
**JP** お気づきの点等ございましたら、以下の点をお知らせください。

**Example!**



Beslag - Fittings - Beschläge - Set de Montage		
A X 8 1972000014	B X 12 1972000004	C X 4 1979110830
D X 2 1970120000	H X 2 1978504022	J X 8 1978204210

**Serious or fatal crushing injuries can occur from furniture tipover. To help prevent tipover:**

- Install topper restraint provided.
- Place heaviest items in the lower drawers.
- Unless specifically designed to accommodate, do not set TVs or other heavy objects on top of this product.
- Never allow children to climb or hang on drawers, doors or shelves.
- Never open more than one drawer at a time.  
(OR)
- Do not defeat or remove the drawer interlock system.

**Use of tipover restraints may only reduce, but not eliminate, the risk of tipover.**

*This is a permanent label. Do not remove.*