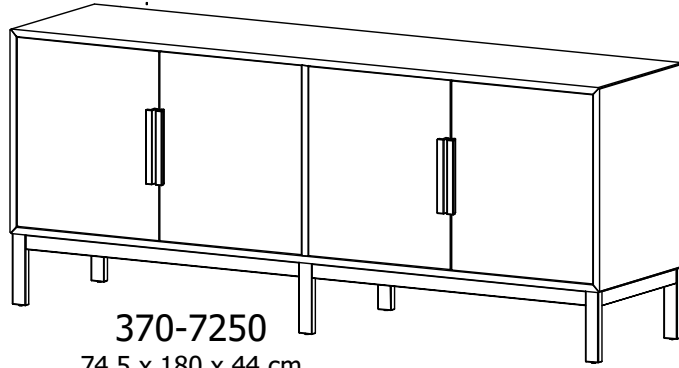


AXO

Design by BoConcept

Samvejledning - Assembly Instructions - Montageanleitung - Instructions d'assemblage - Instrucciones de montaje



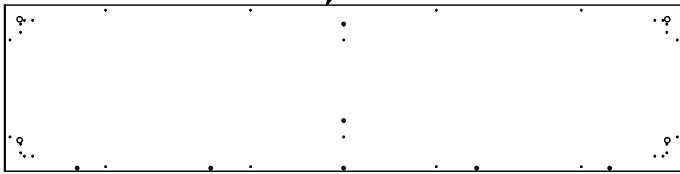
370-7250

74,5 x 180 x 44 cm
Max. weight 60 kg.

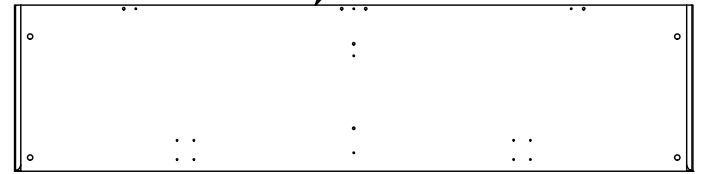
Intended use: General use according to EN16121

Colli 37007251

Bottom/Base

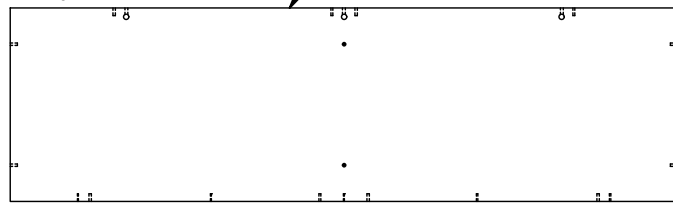


Top



Colli 37007253

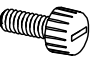
Backpanel



Shelf x2

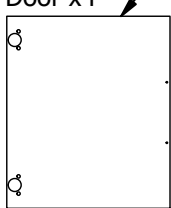


Sparepart bag
937000232
6 stk

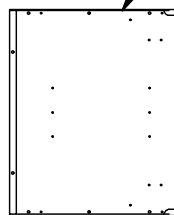


Colli 37007252

Door x4



Side x 2



Middle side

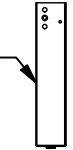


Colli 37007254

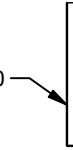
Leg right x2



Leg left x2



Leg middle x2



Frame side x4

Frame end x 3

Handle x4

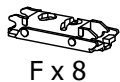
Corner Bracket x4

Middle leg Bracket x2

Colli 37007253 Fitting box 930001254



A x 8

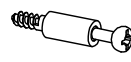


F x 8

Colli 37007253 Fitting box 930001255



S x 9



B x 13
To Ø 3 mm hole



E x 27



G x 11
Grey



D x 56
Ø6mm



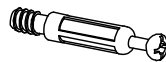
T x 14



BB x 2



CC x 8



V x 14
To Ø5 mm hole



H x 8
3,0 x 15



R x 56
To Leg base/Hinge
4,2 x 9,5



N x 8



P x 8
4,2 x 10,5
to shelf



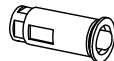
C x 8
To handle



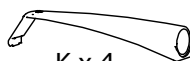
AA x 1



M x 8



J x 4



K x 4



L x 4



DD x 4
4,2 x 16



EE x 14
3,5 x 14












- 
R x 8
 To Leg base/Hinge
 4,2 x 9,5
- 
E x 8
- 
J x 4
- 
K x 4
- 
L x 4
- 
H x 8
 3,0 x 15
- 
M x 8
- 
B x 13
 To Ø 3 mm hole
- 
F x 4
- 
D x 12
 Ø6mm
- 
DD x 2
 4,2 x 16

FIG. 1

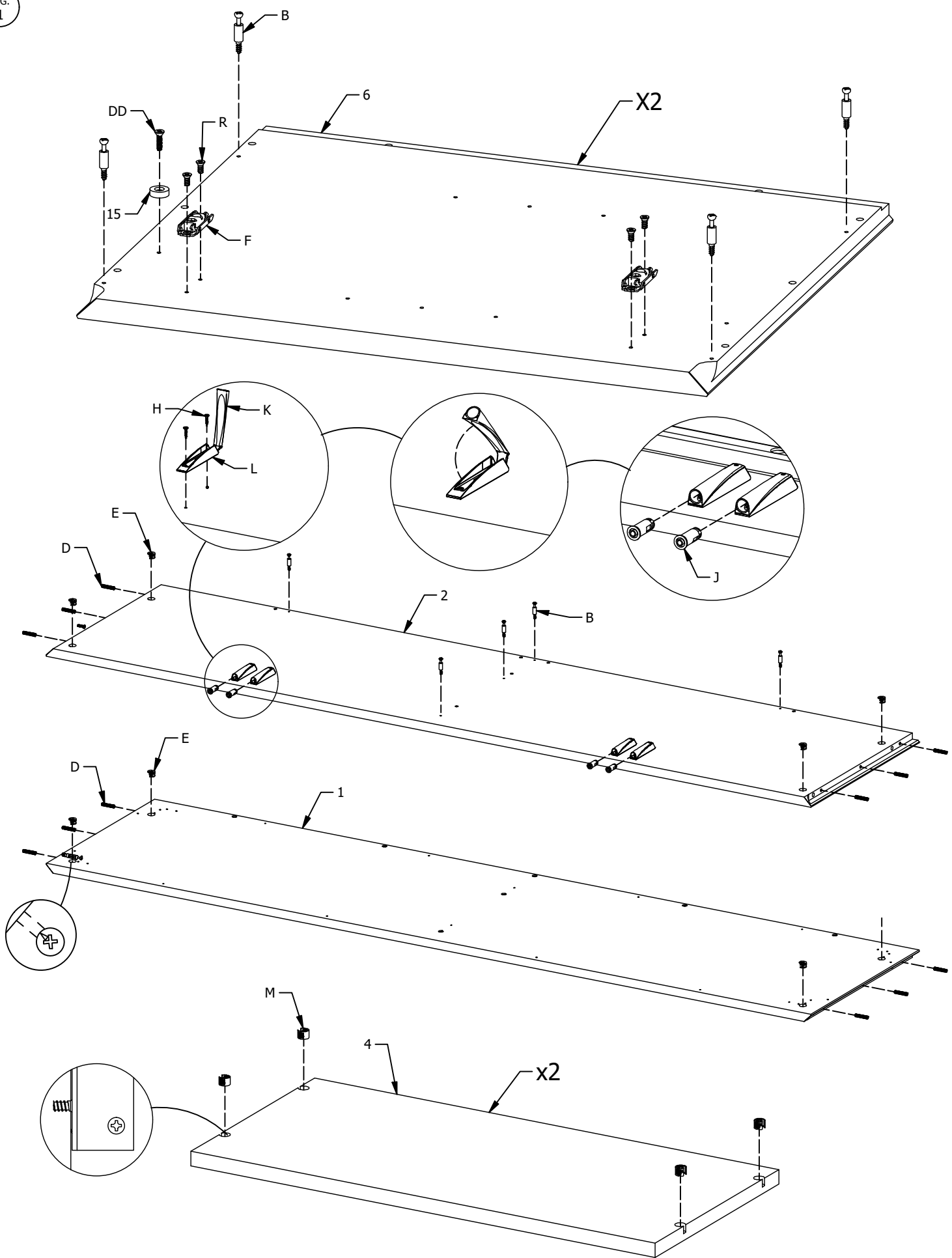

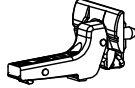




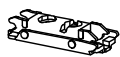

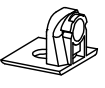
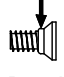
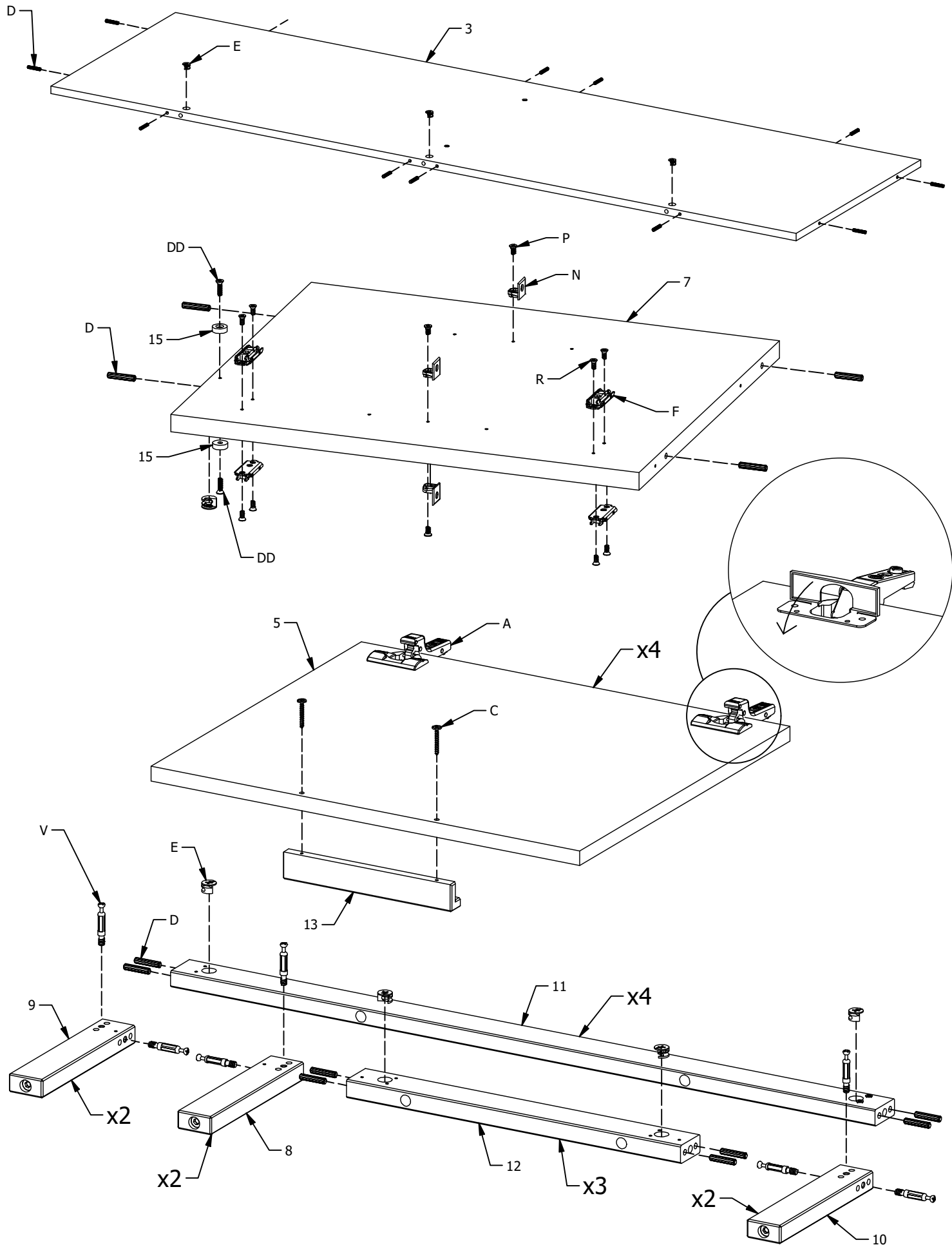
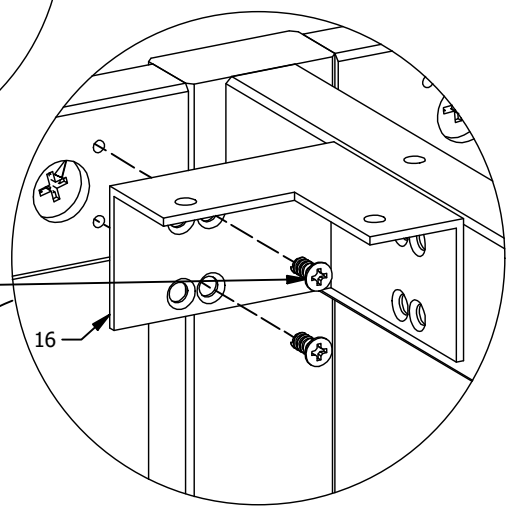
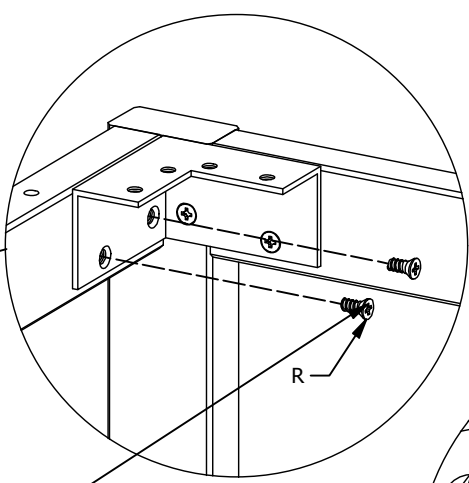
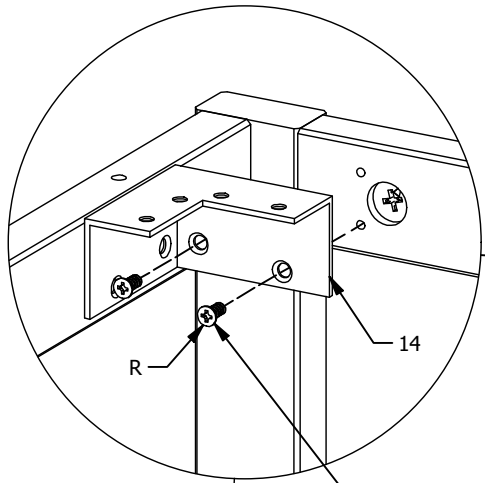
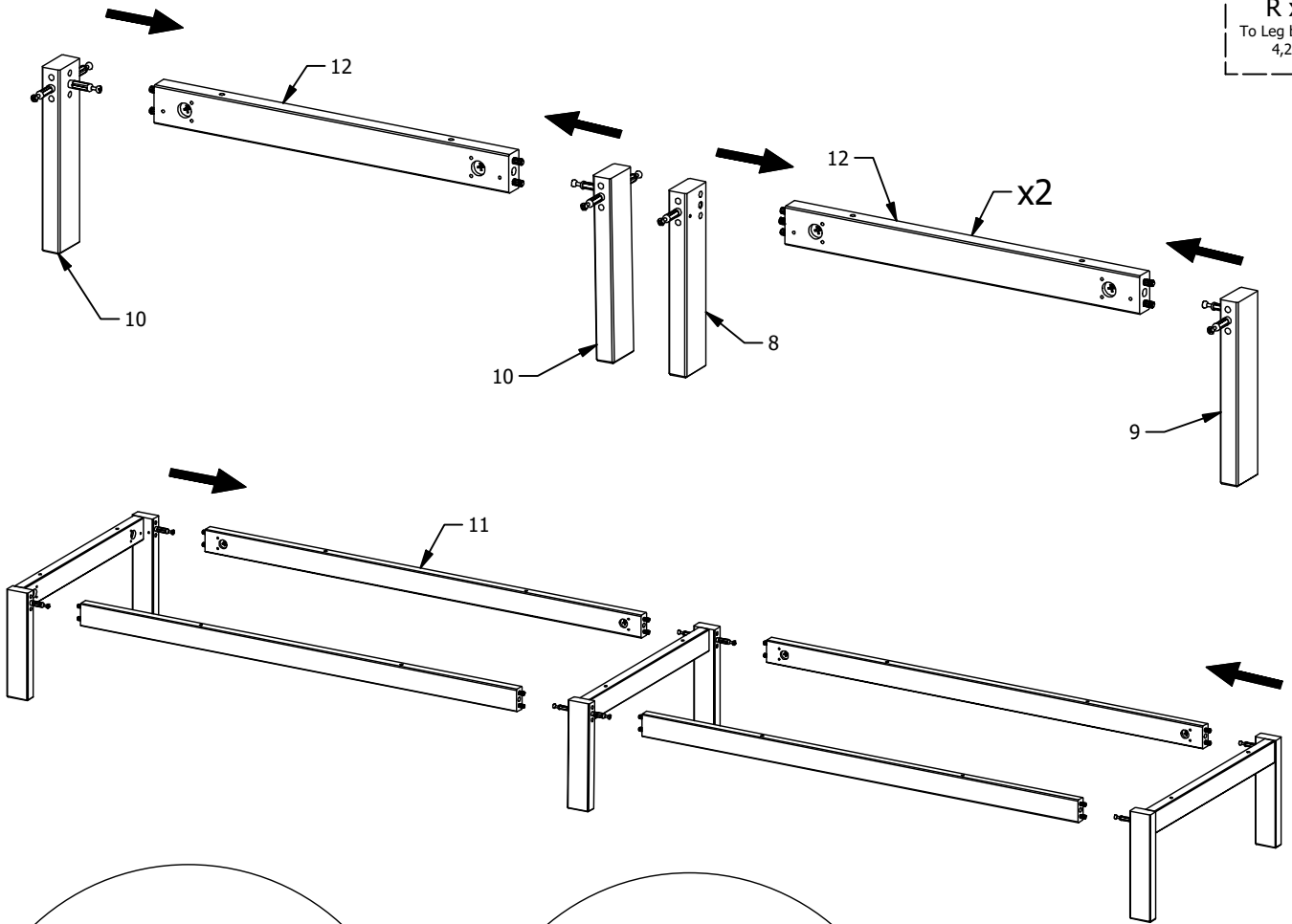


FIG. 2

- 
DD x 2
 4,2 x 16
- 
A x 8
- 
C x 8
 To handle
- 
R x 8
 To Leg base/hinge
 4,2 x 9,5
- 
E x 19
- 
V x 14
 To Ø5 mm hole
- 
F x 4
- 
D x 44
 Ø6mm
- 
N x 4
- 
P x 4
 4,2 x 10,5
 to shelf




R x 24
To Leg base/hinge
4,2 x 9,5



Step 1 50 %
Step 2 100 %

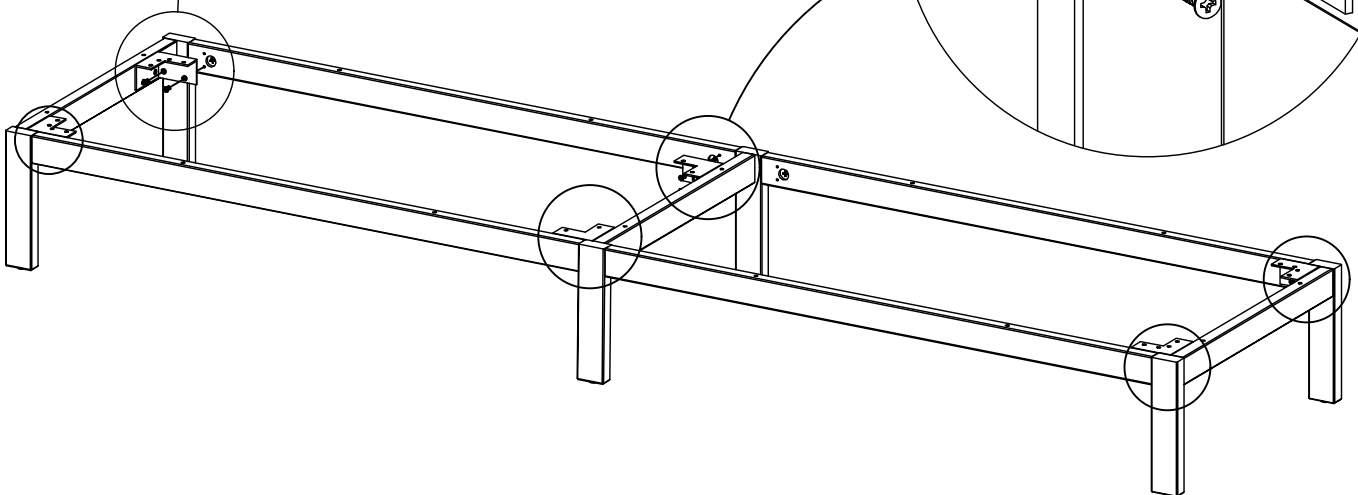


FIG. 4



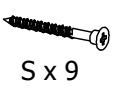
N x 4



P x 4
4,2 x 10,5
to shelf



EE x 10
3,5 x 16



S x 9

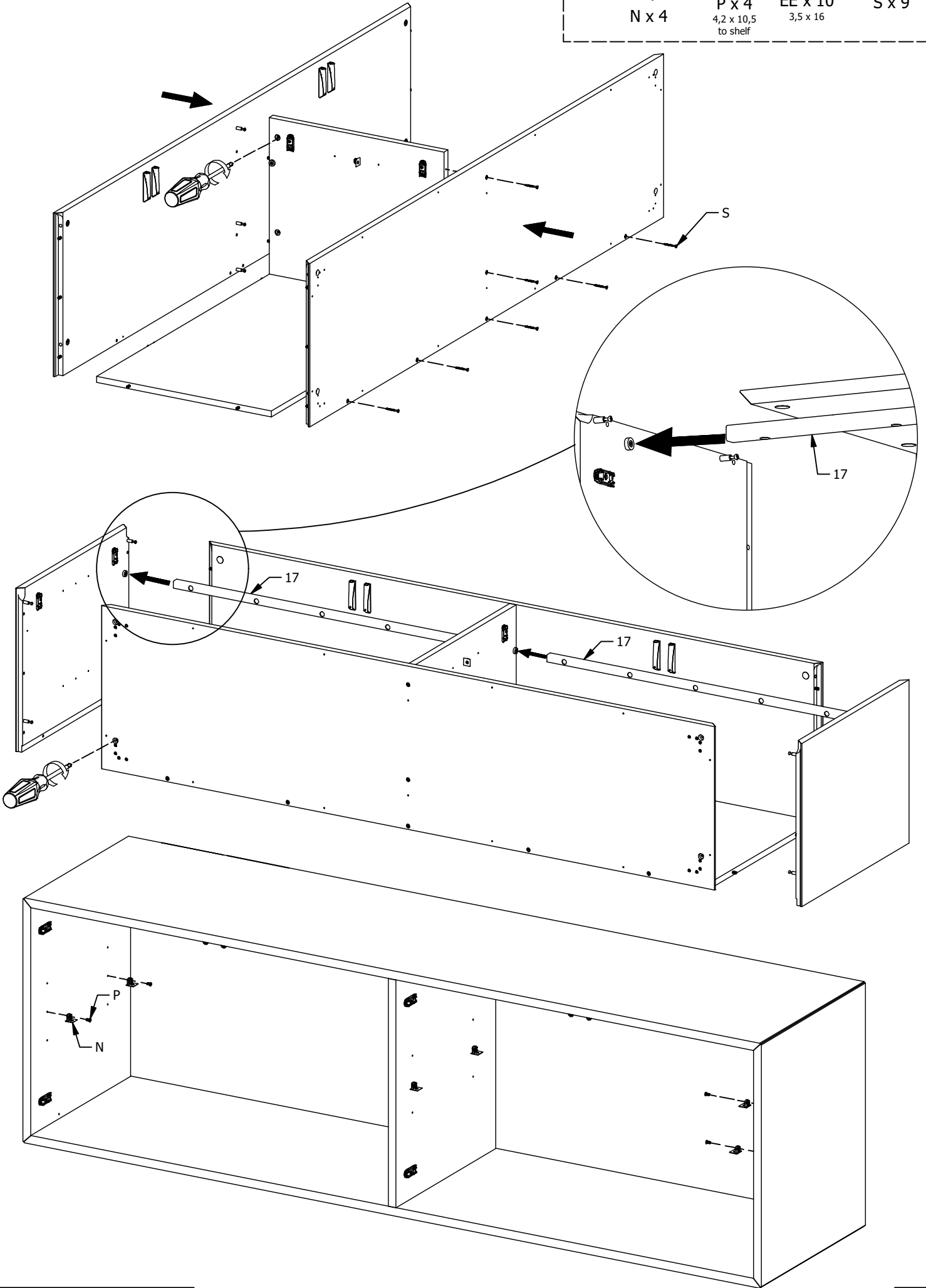
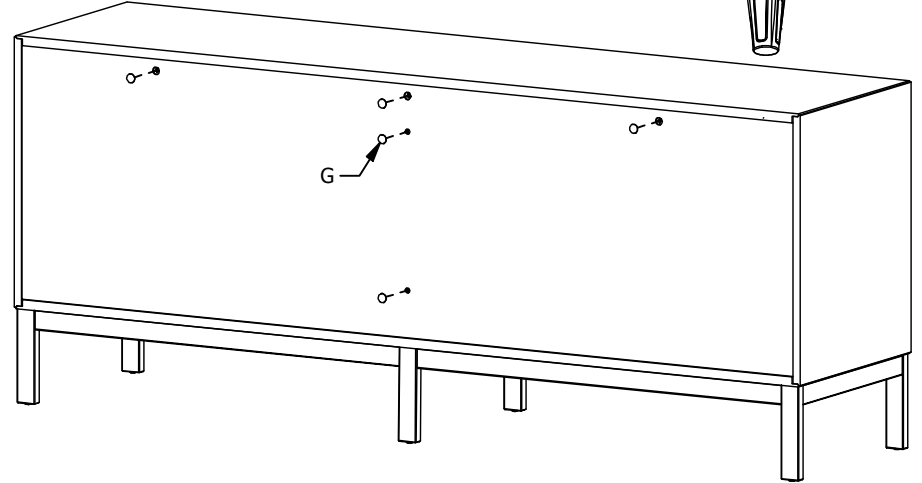
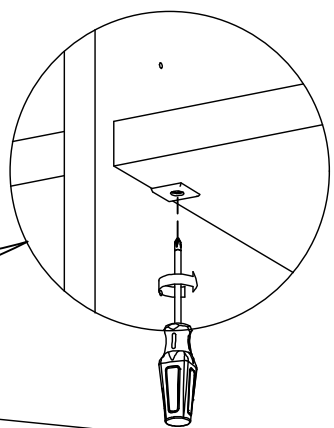
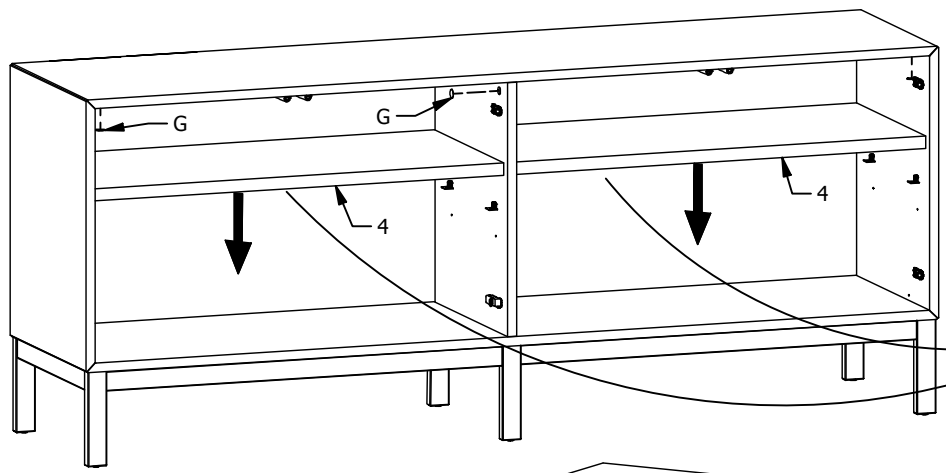
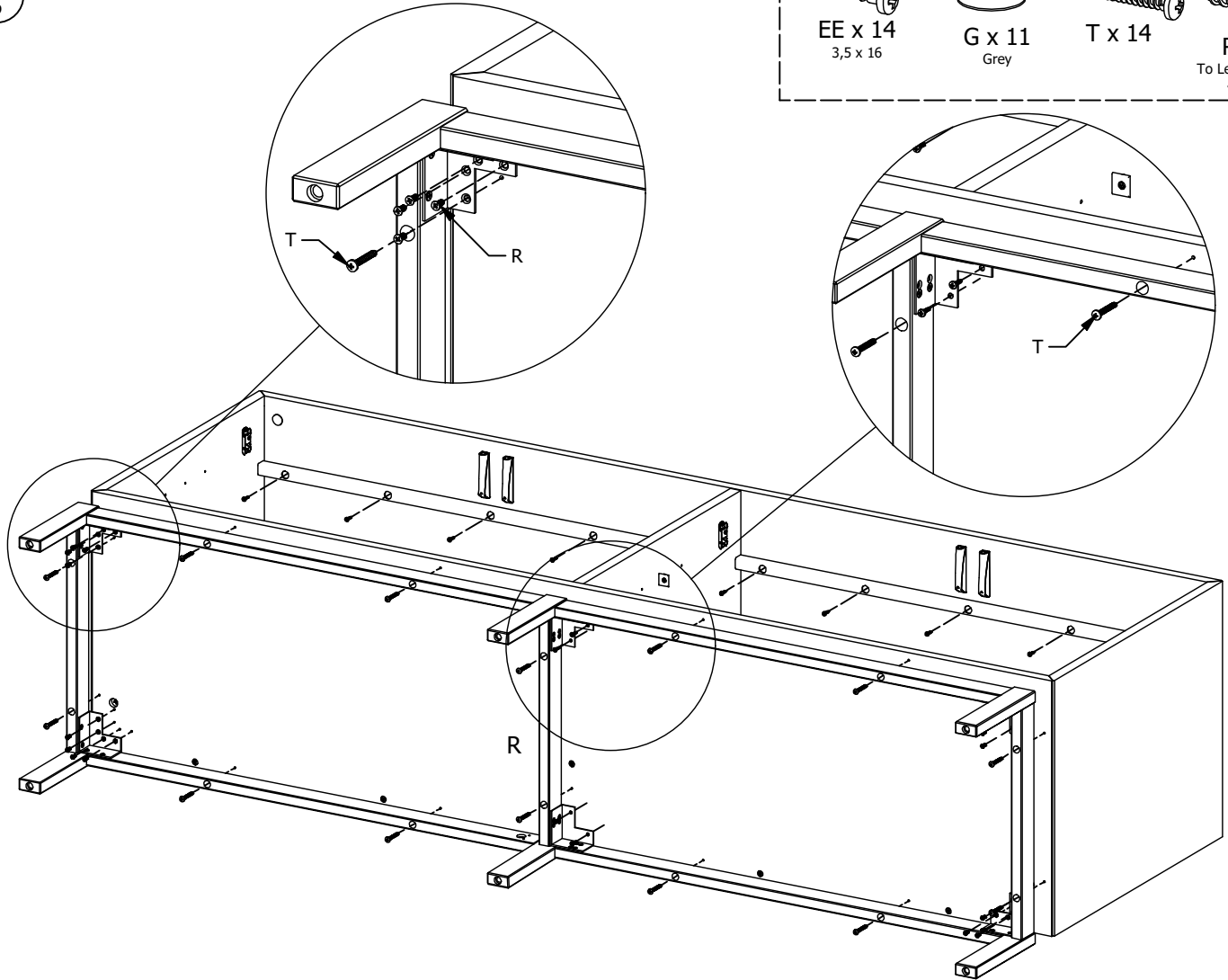
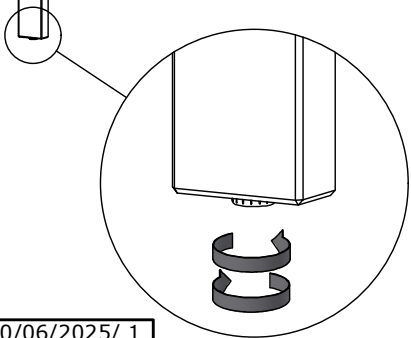
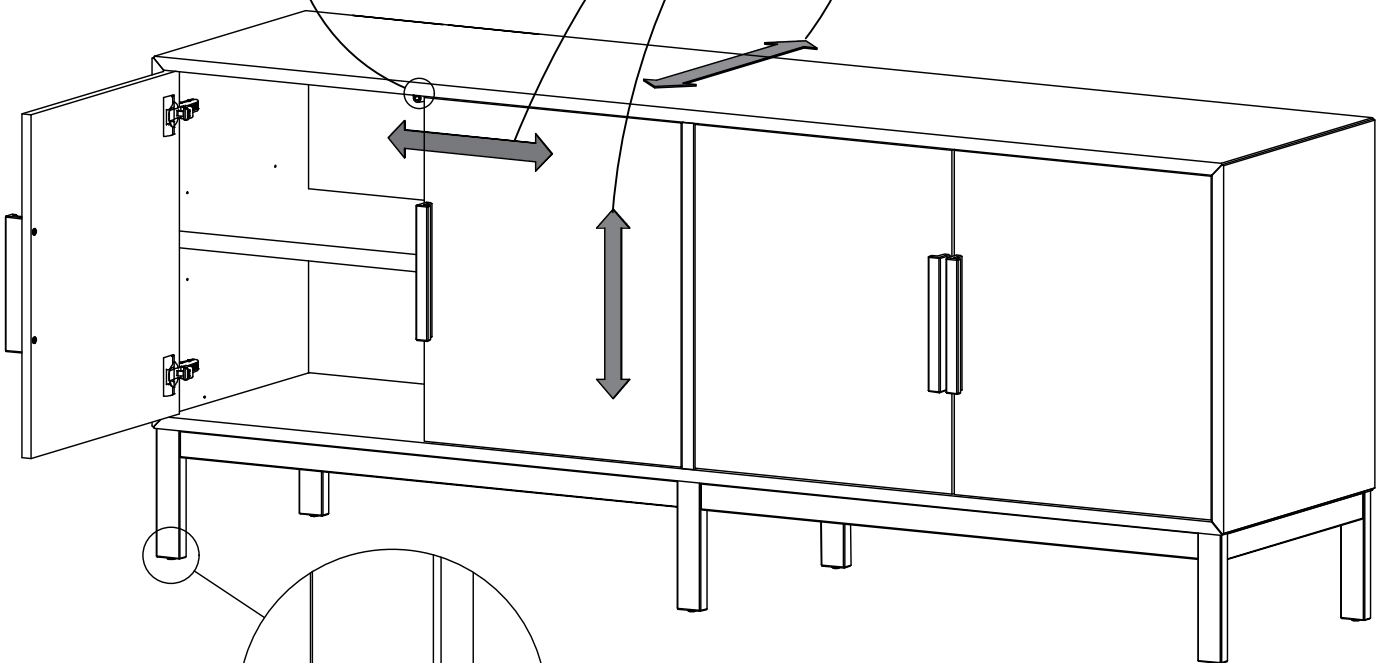
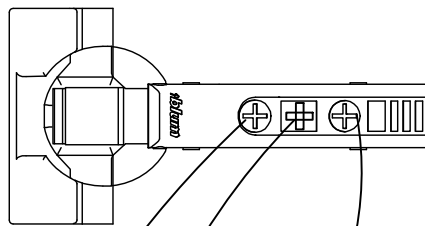
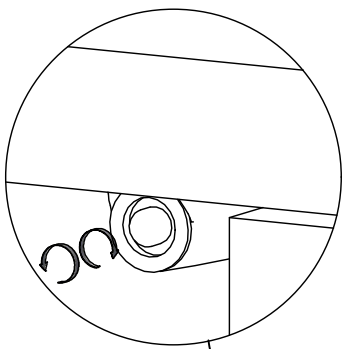
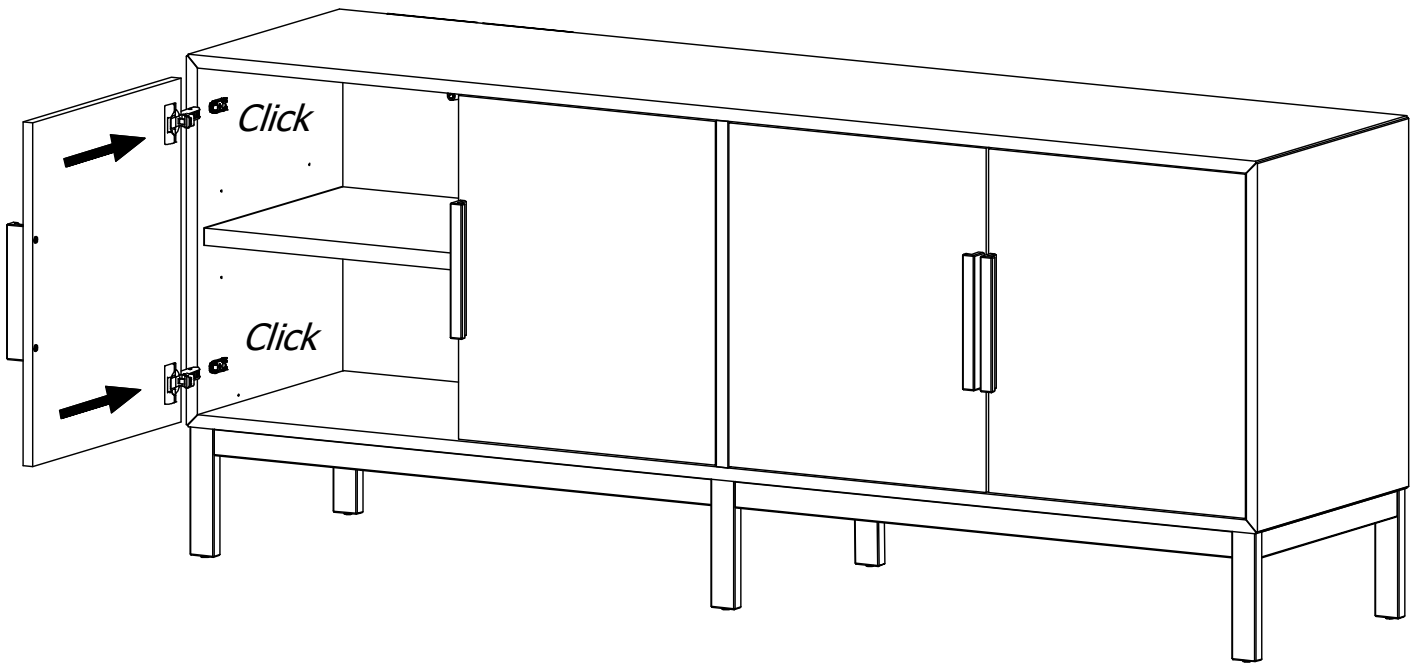


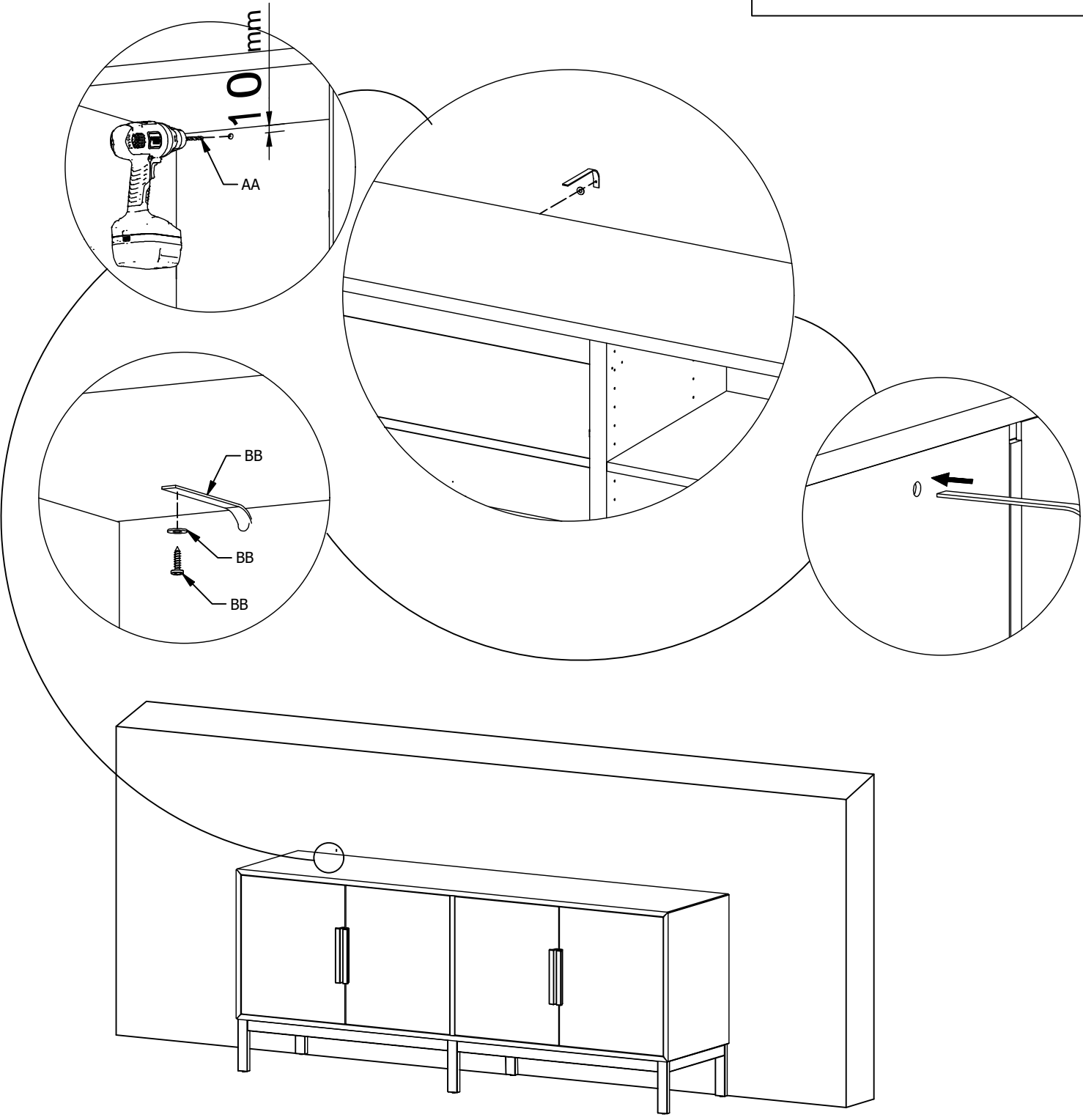
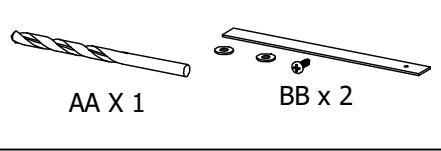
FIG. 5
5

- EE x 14
3,5 x 16
- G x 11
Grey
- T x 14
- R x 16
To Leg base/Hinge
4,2 x 9,5



Adjustment





! DK Ved reklamation oplyses følgende:
 D Im Reklamationsfall, bitte folgendes erläutern:
 US In case of claims, please state the following:
 F En cas de réclamation, veuillez indiquer:
 NL Bij service volgene mededelen
 E En caso de reclamación, indicar lo siguiente:
 P No caso de reclamação, por favor indique o seguinte:
 JP お気づきの点等ございましたら、以下の点をお知らせください。

Example!

