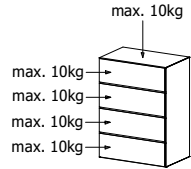
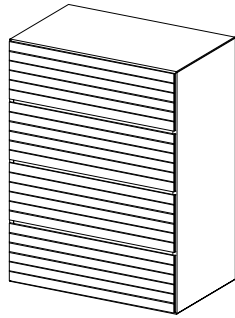


Lugano

Design by BoConcept

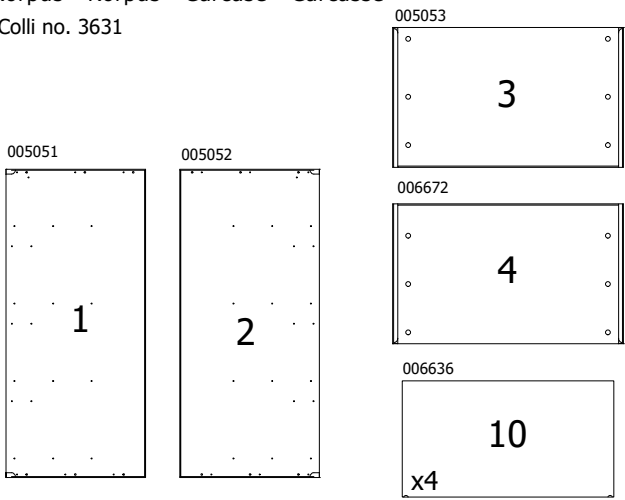
Samvejledning - Assembly Instructions - Montageanleitung - Instructions d'assemblage - Instrucciones de montaje



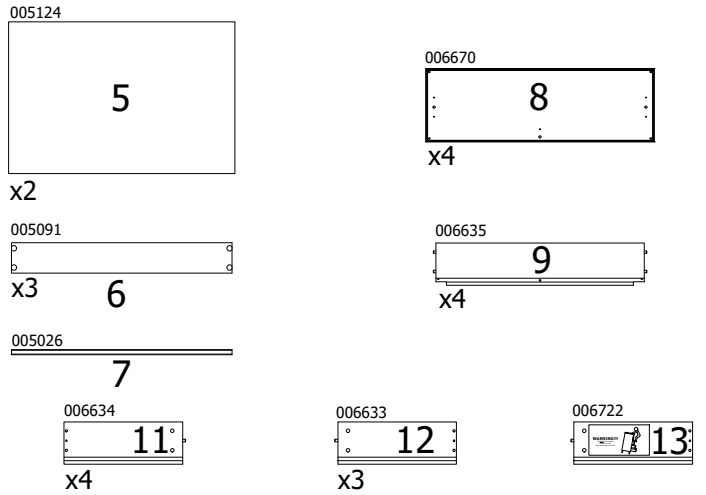
3630

102,4x76,8x48,0 cm / max. 50kg.

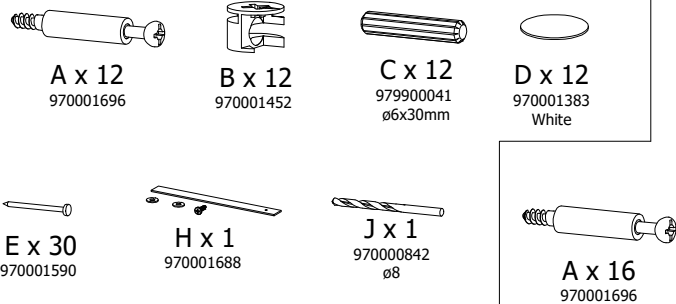
Korpus - Korpus - Carcase - Carcasse
Colli no. 3631



Colli no. 3632



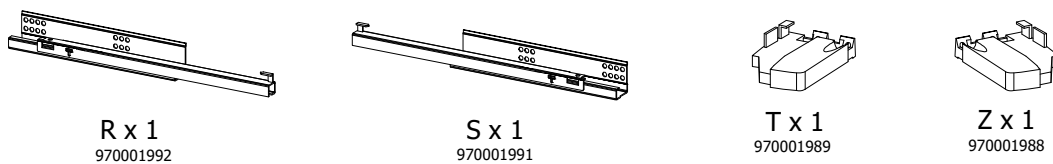
Beslag - Beschläge - Fittings - Set de montage
Colli no. 3631- Fittingbox: 930001149



Colli no. 3632 - Fittingbox: 930001150



Fittingbox: 930001146 x4



Værktøj - Werkzeuge - Tools - Outils

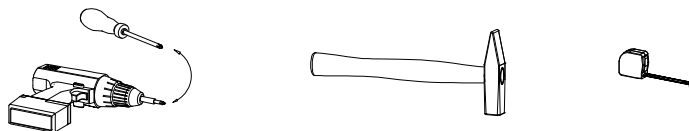


FIG. 1

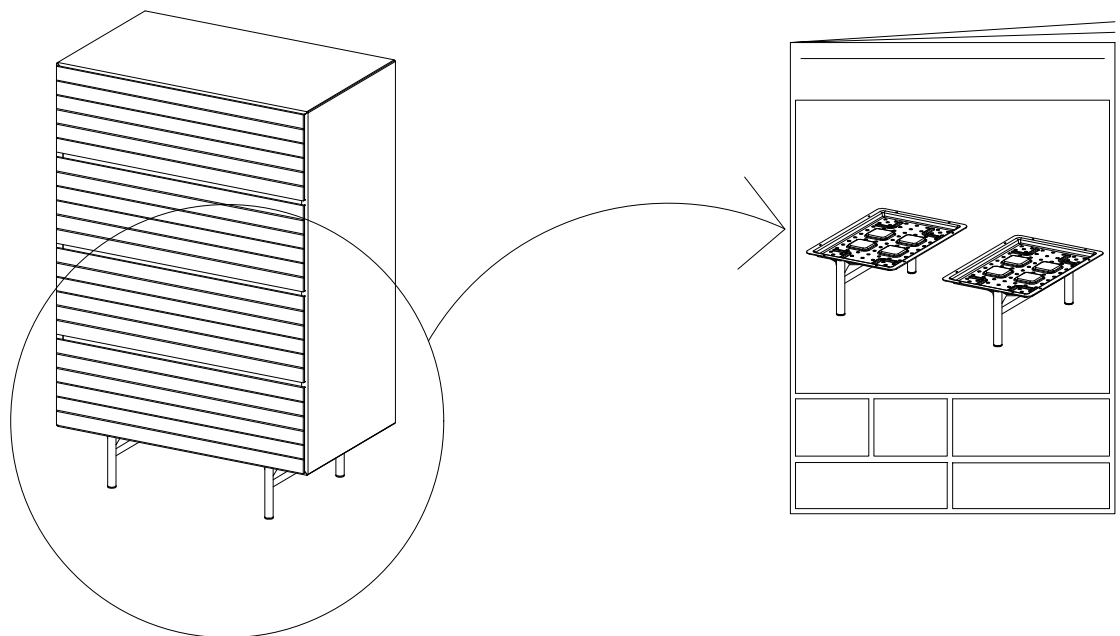
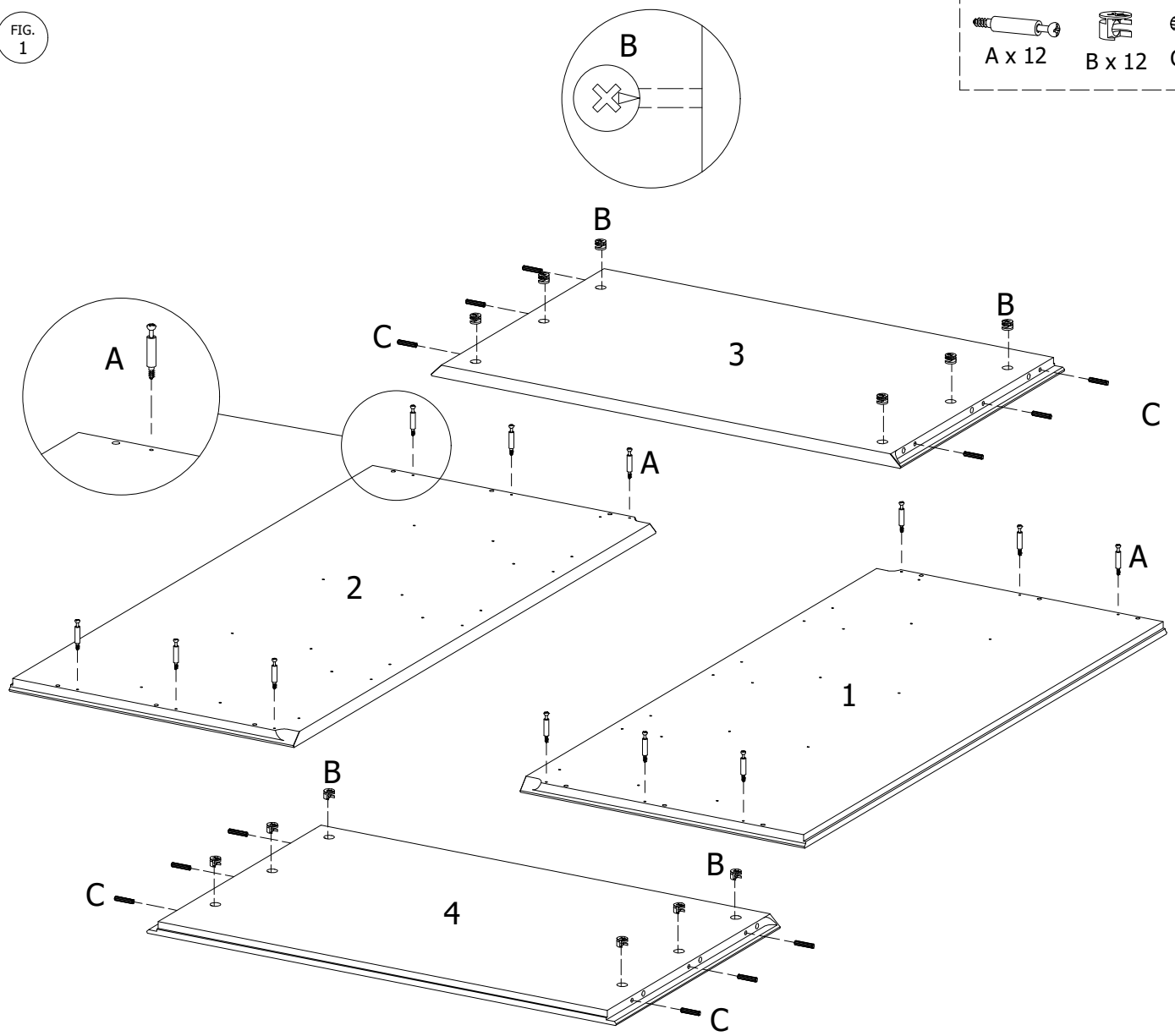
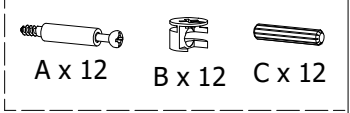


FIG. 2

D x 12

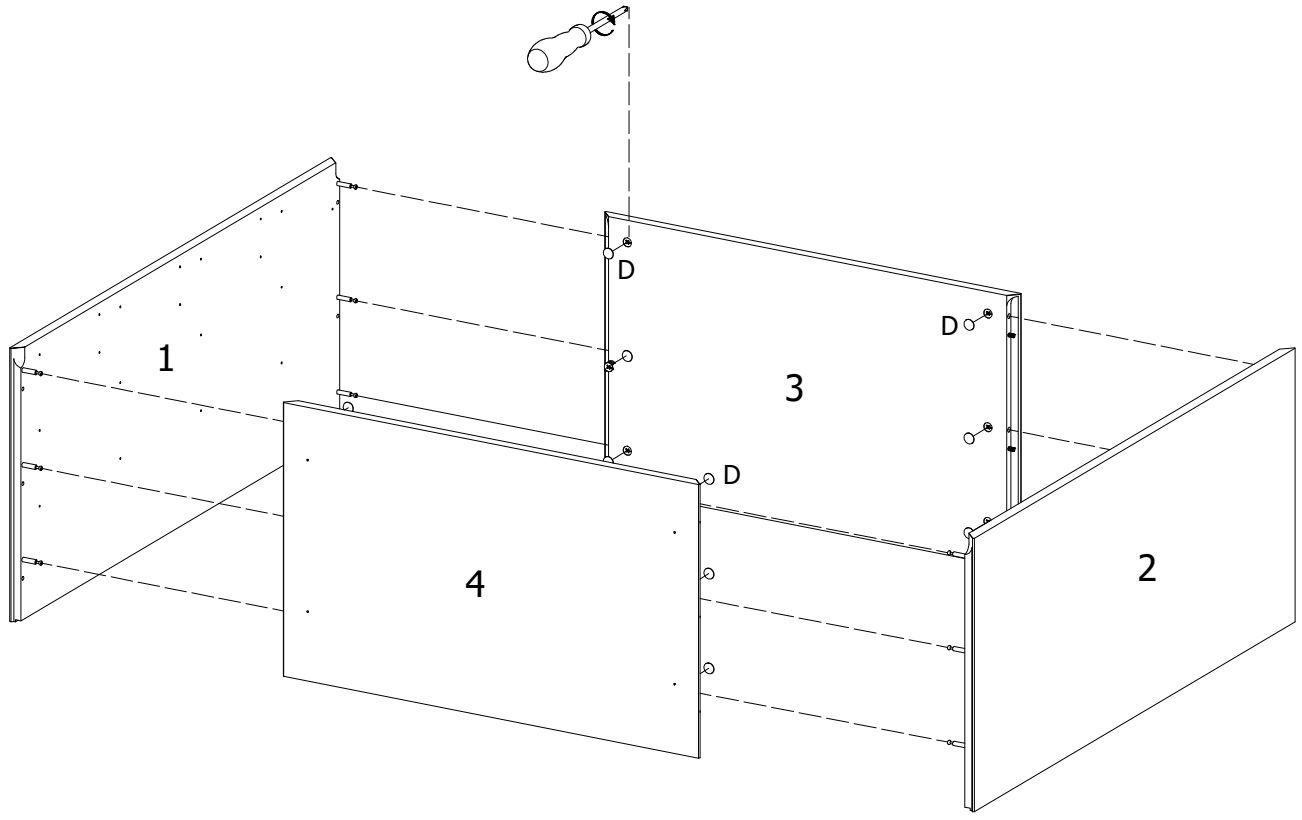


FIG. 3

E x 30

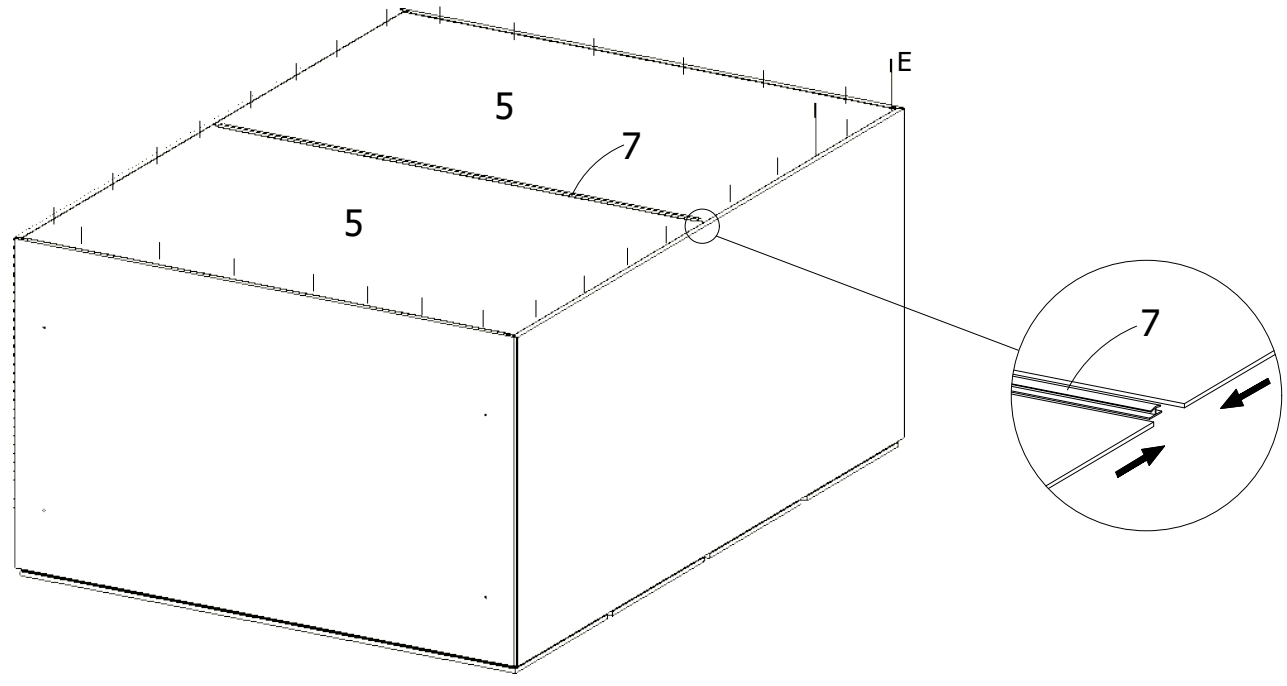
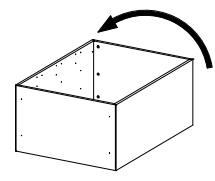


FIG. 4

U x 12 V x 12 W x 12

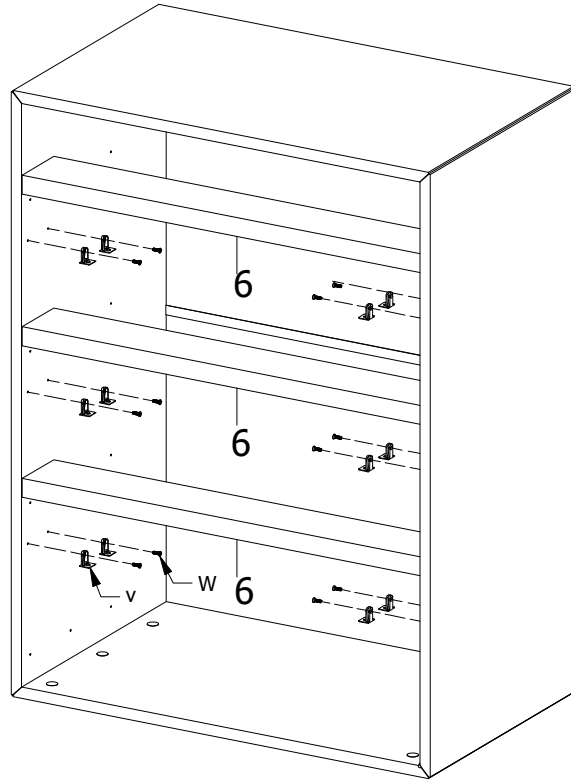
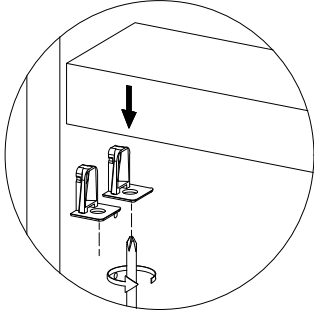
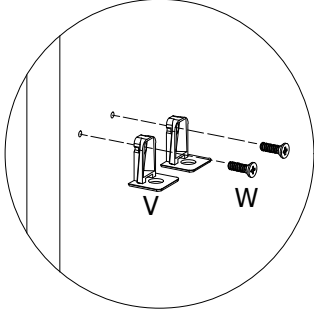
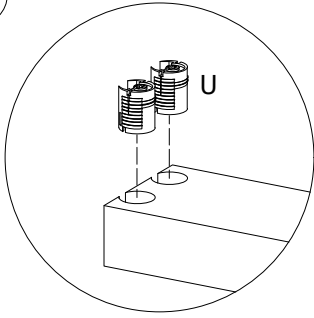


FIG. 5

R x 4 S x 4 L x 16 M x 16

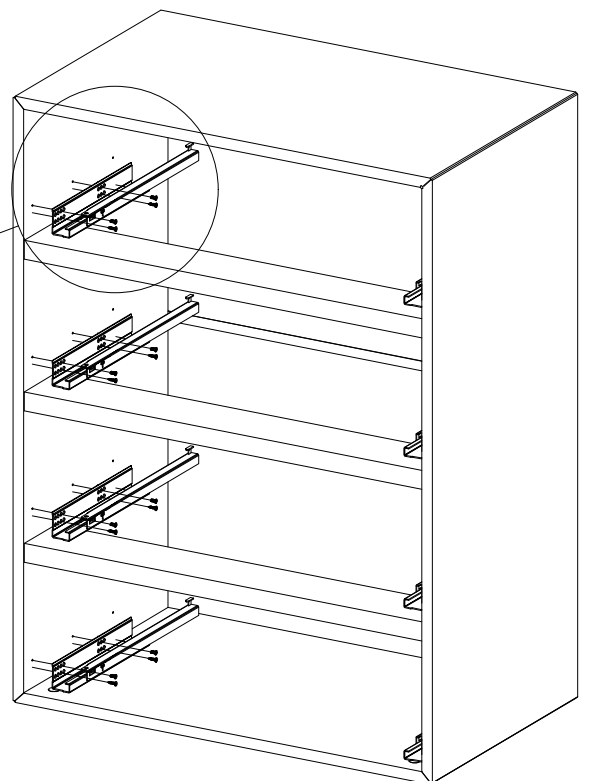
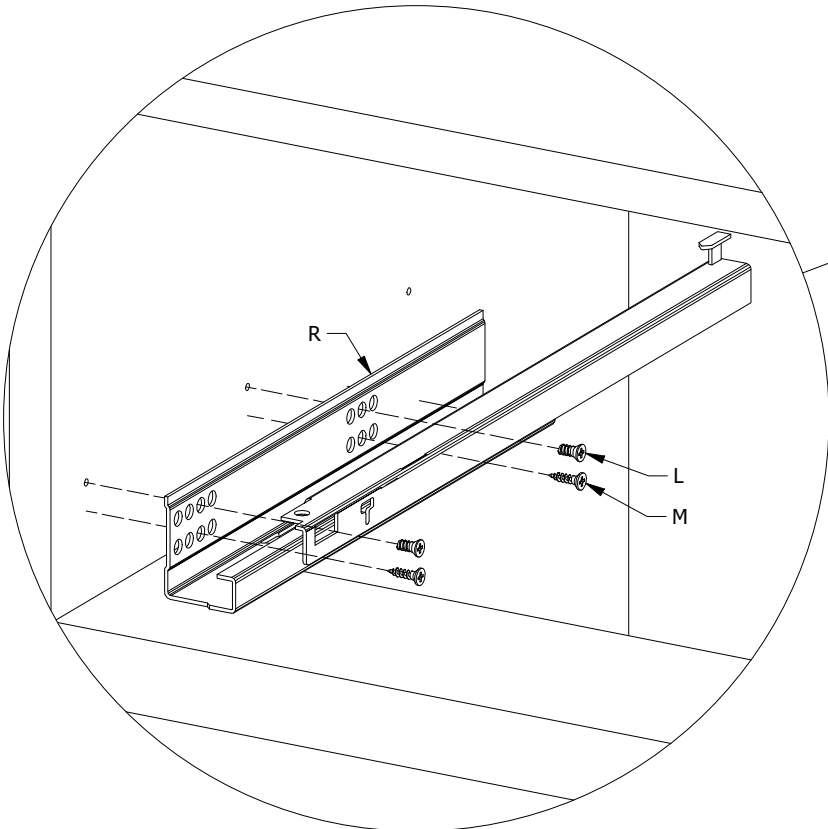


FIG. 6

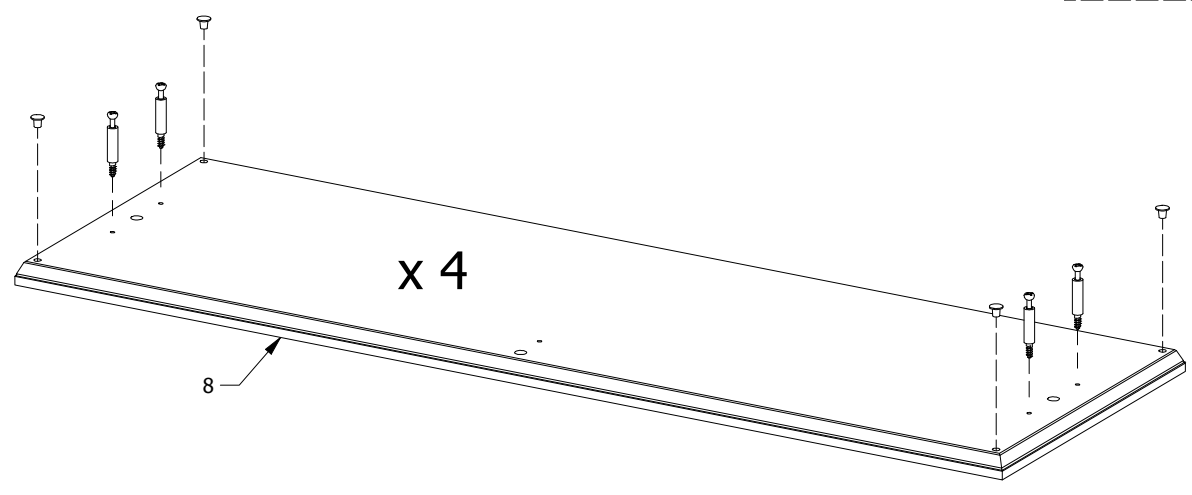
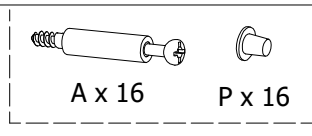


FIG. 7

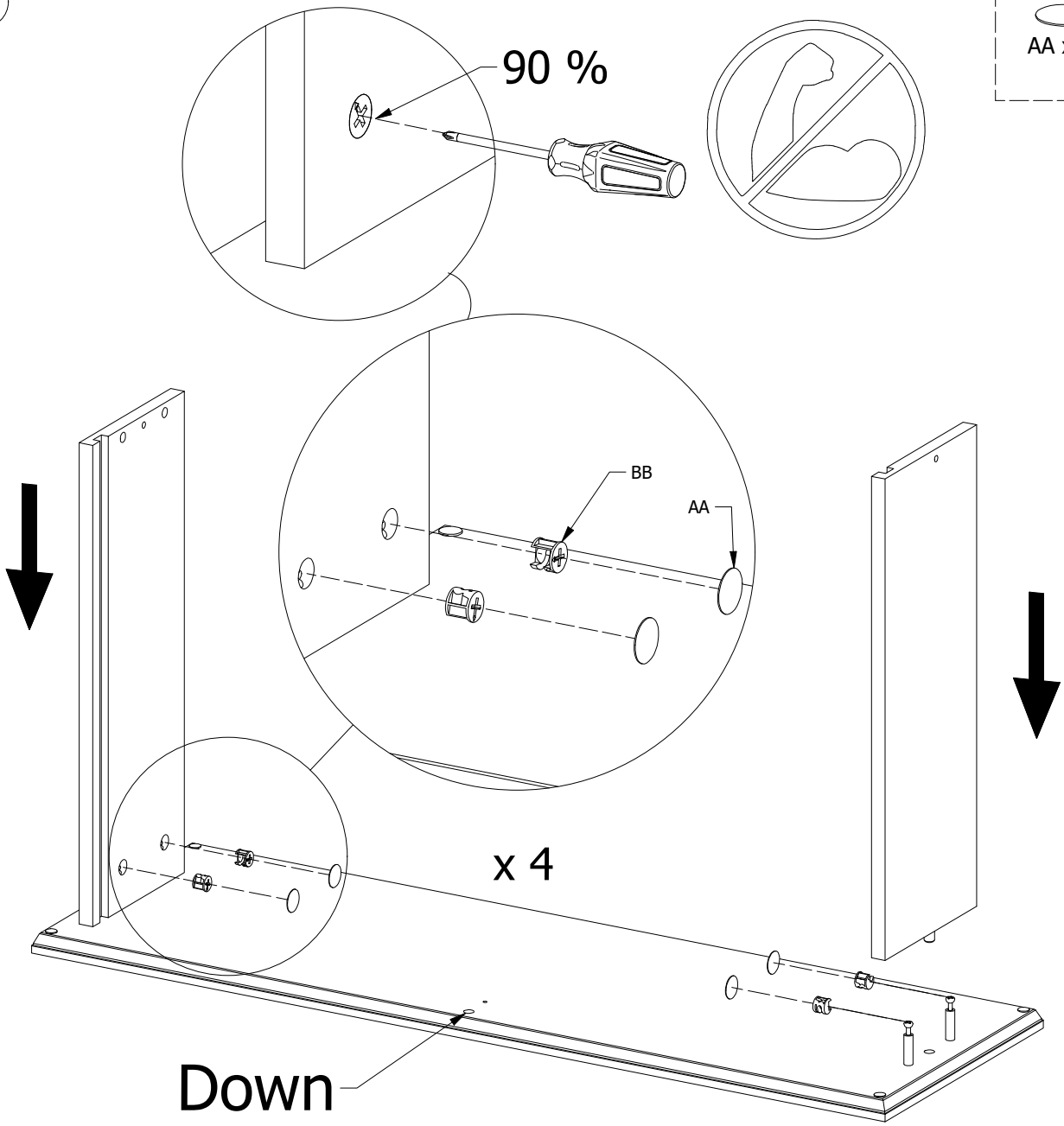
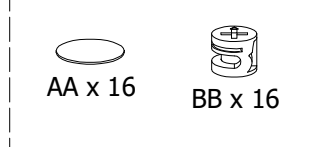


FIG. 8

Important

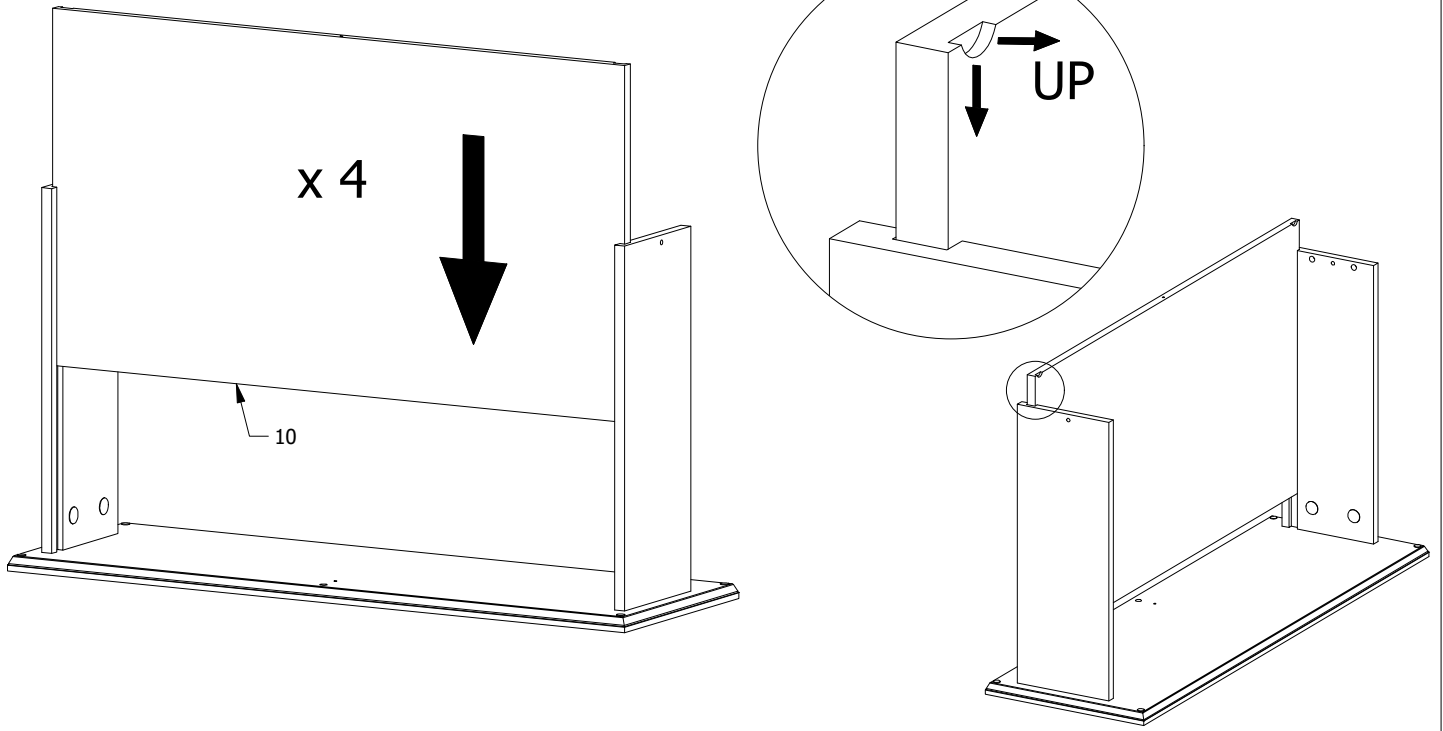


FIG. 9

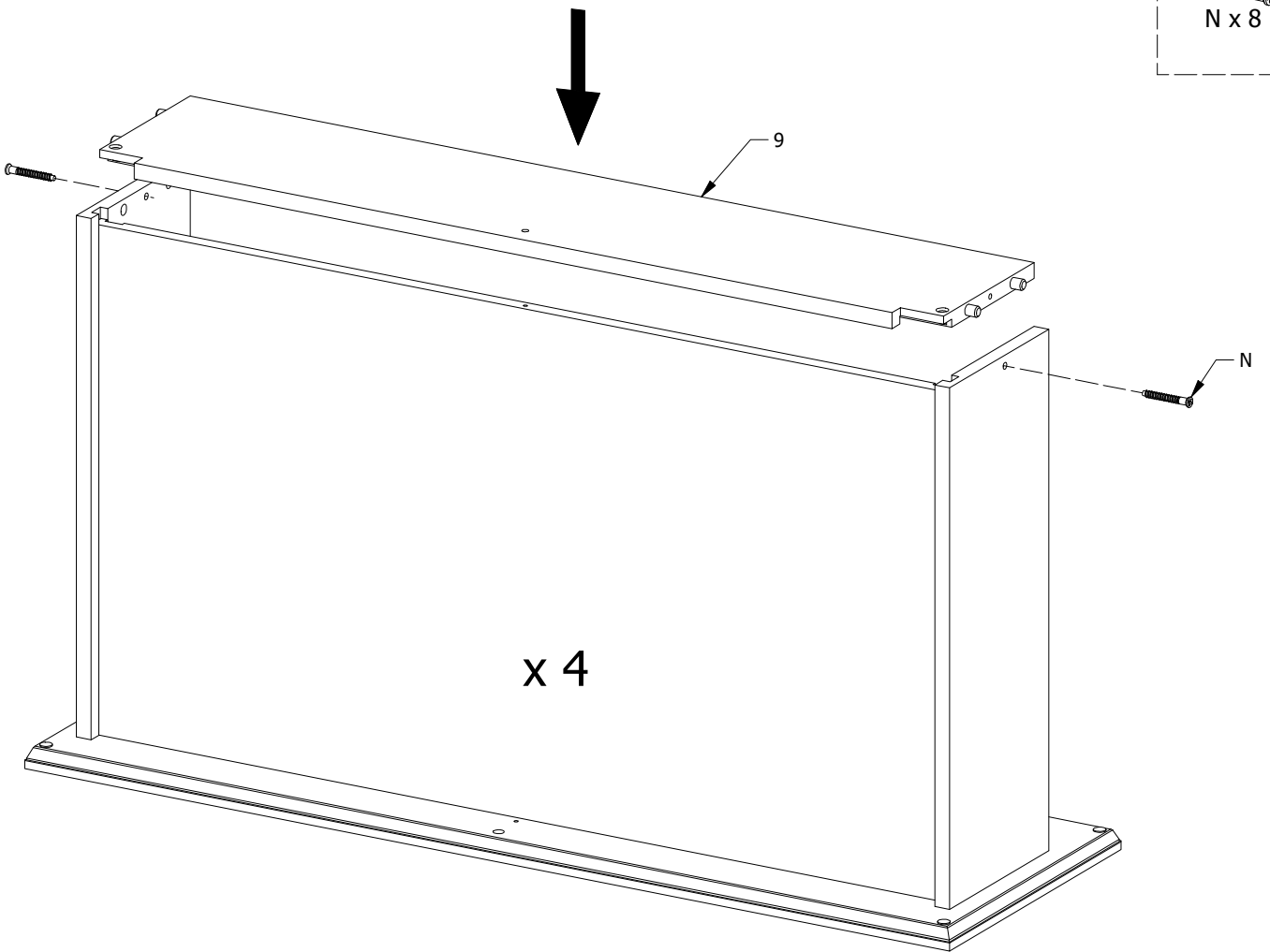


FIG. 10

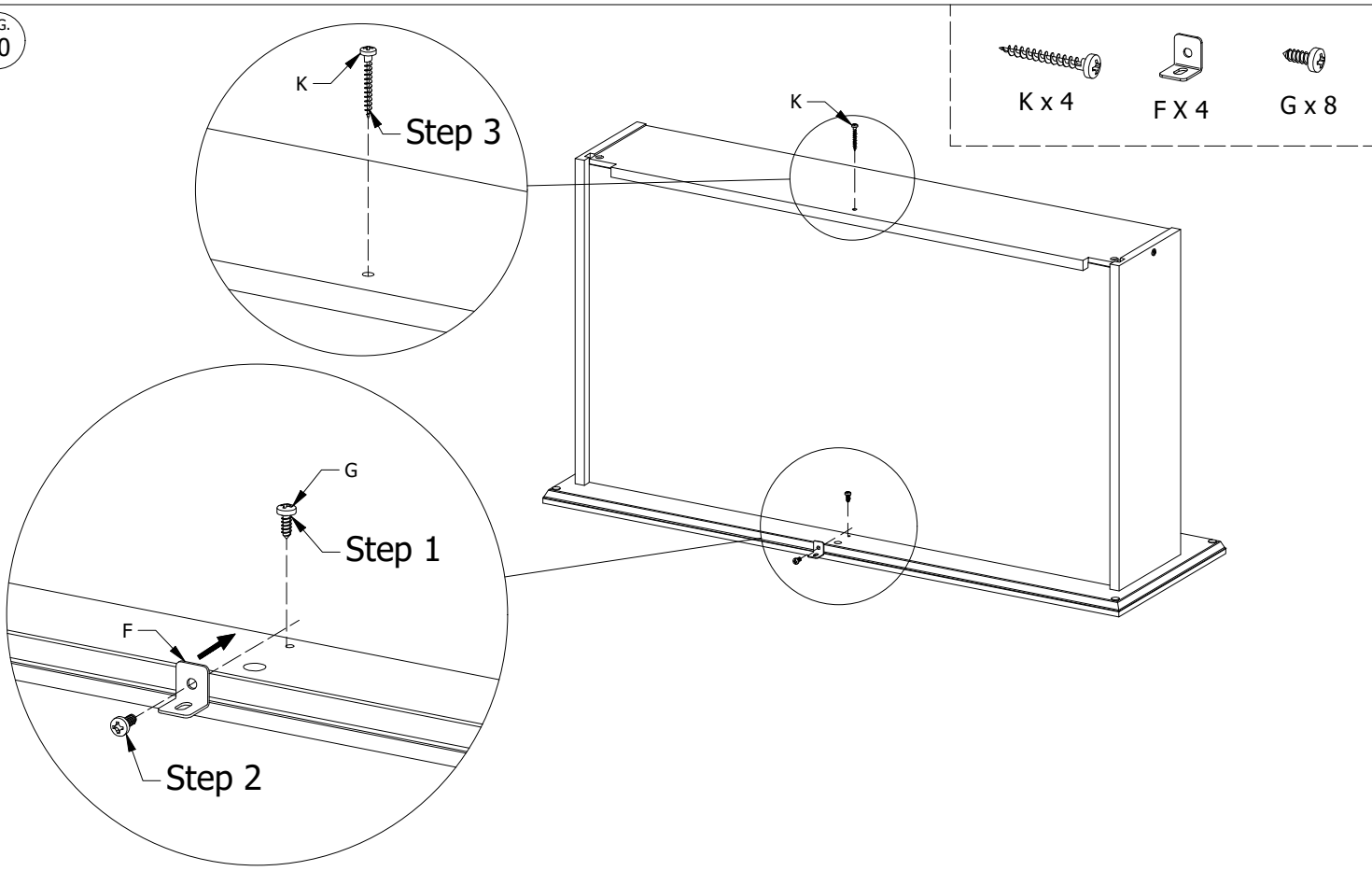


FIG. 11

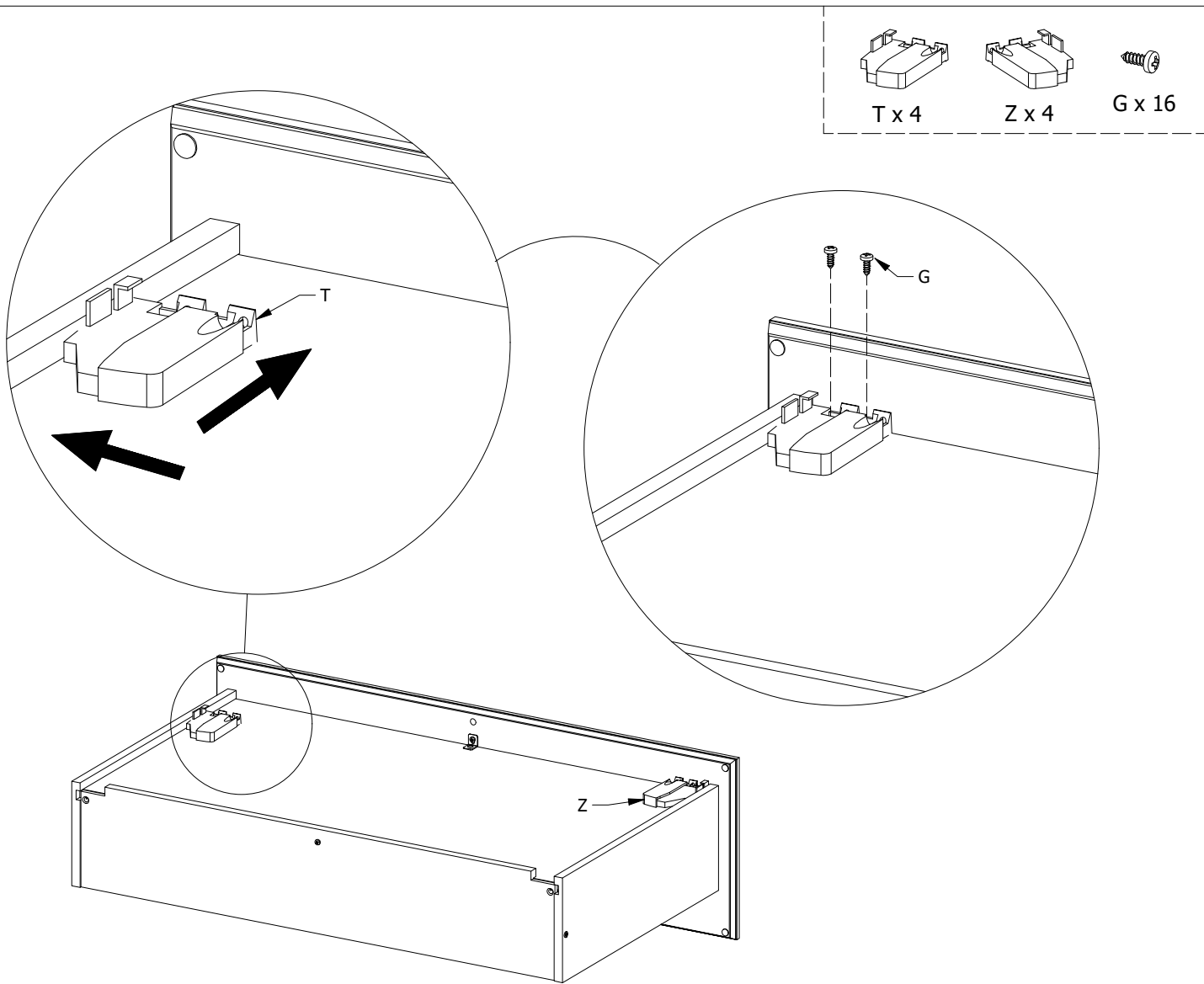
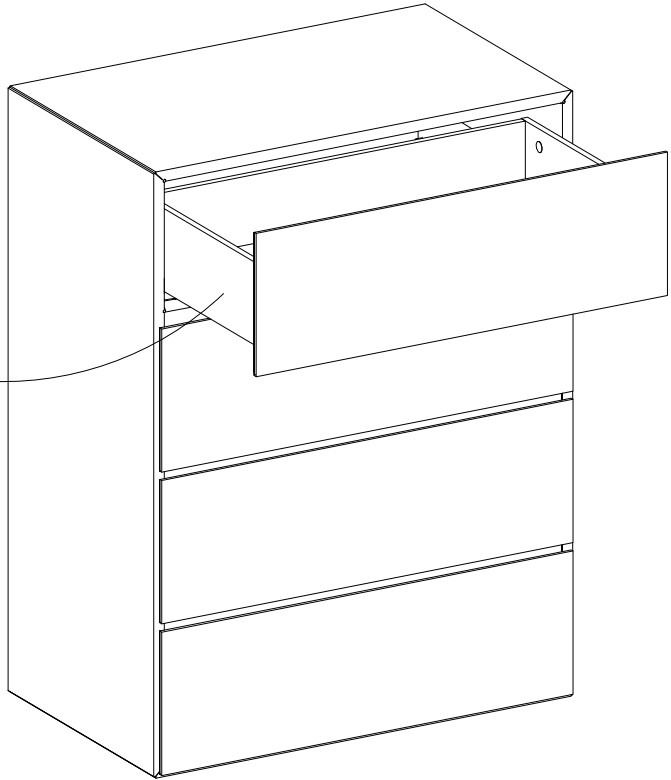
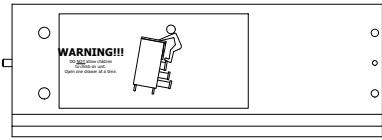
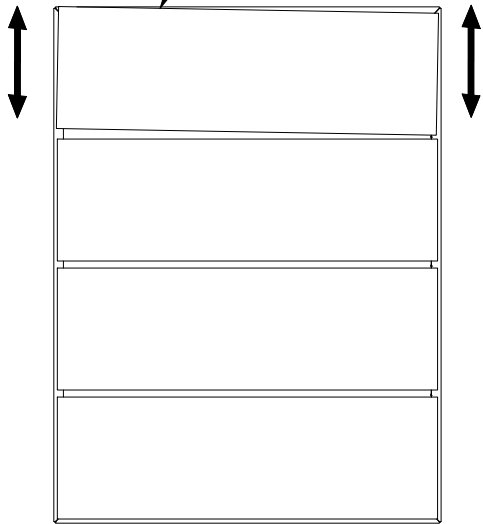


FIG. 12

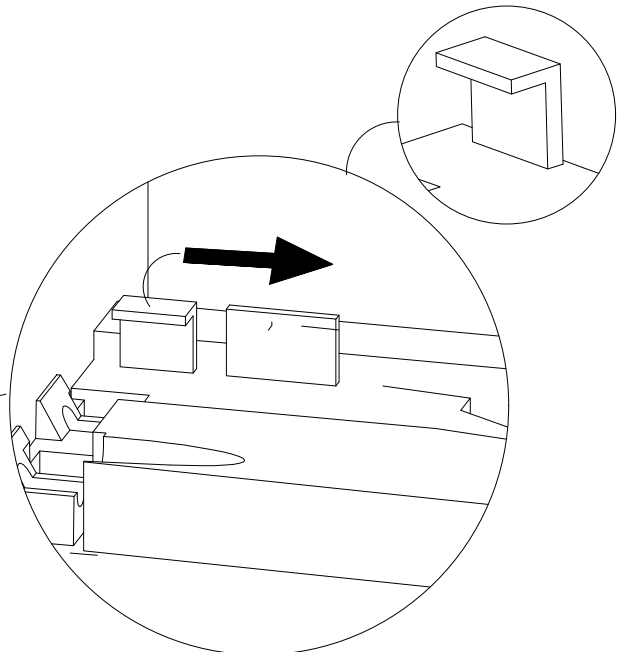
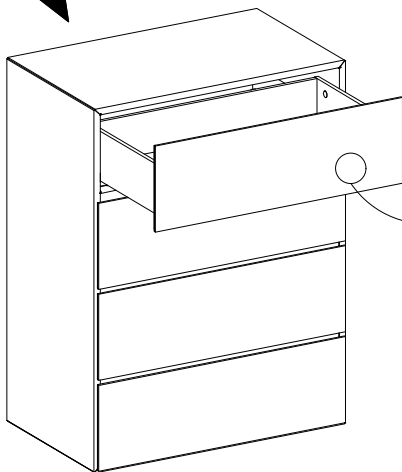
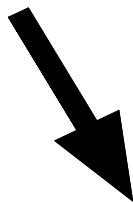
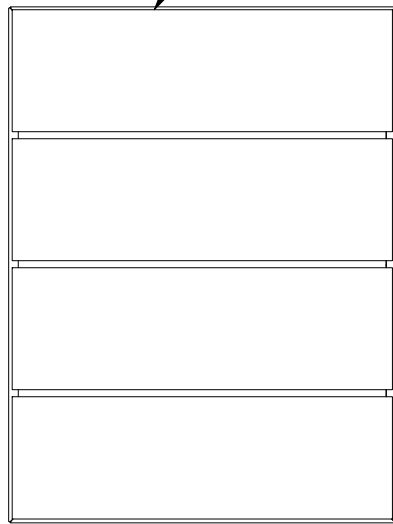


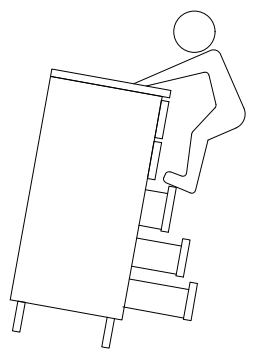
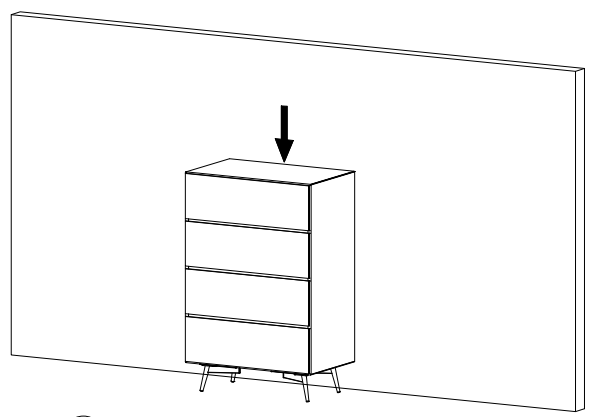
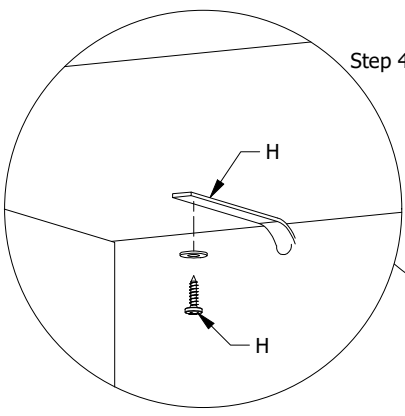
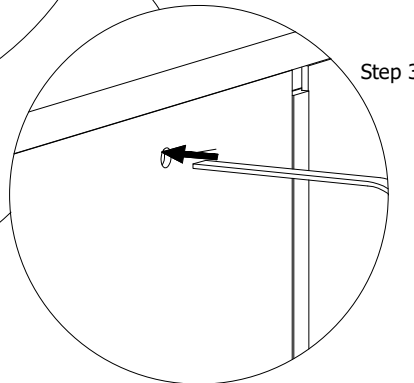
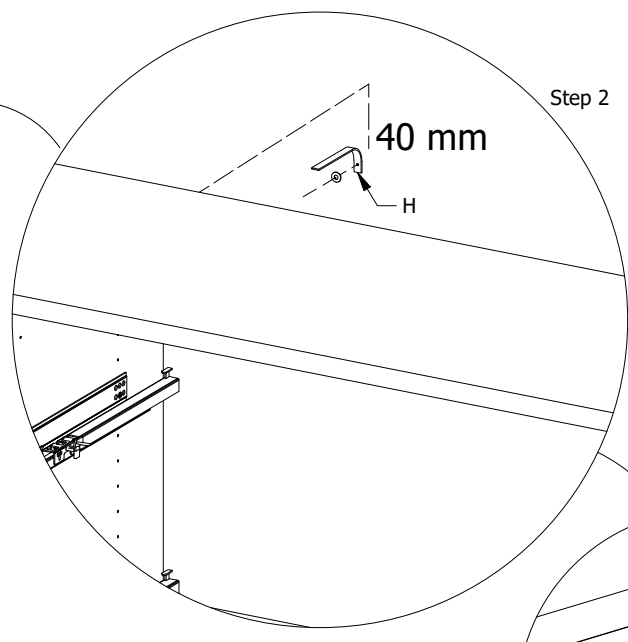
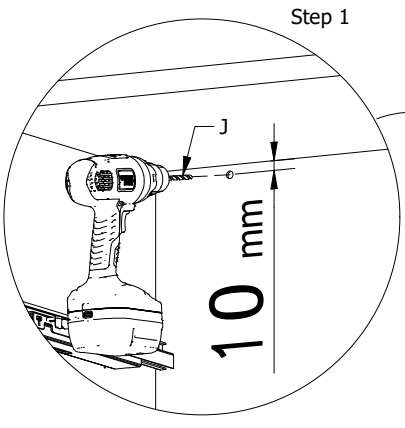
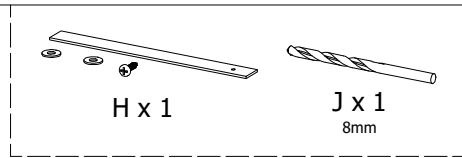
Click

Attention



OK



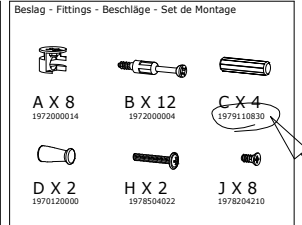
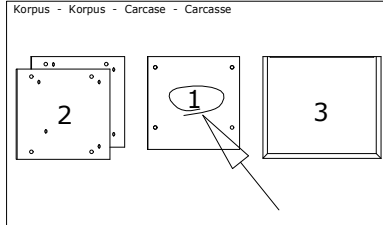


WARNING!!!

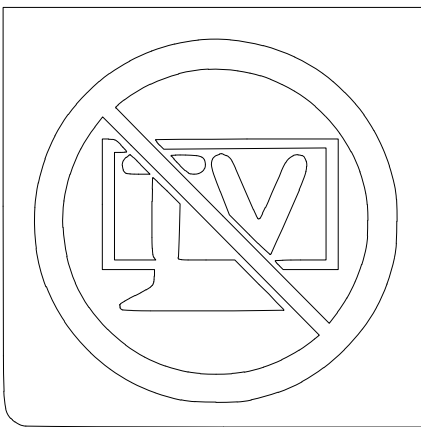
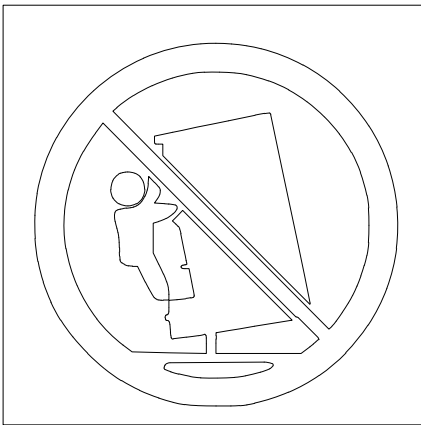
DO NOT allow children to climb on unit.
Open one drawer at a time.

- DK Ved reklamation oplyses følgende:
- D Im Reklamationsfall, bitte folgendes erläutern:
- US In case of claims, please state the following:
- F En cas de réclamation, veuillez indiquer:
- NL Bij service volgene mededelen
- E En caso de reclamación, indicar lo siguiente:
- P No caso de reclamação, por favor indique o seguinte:
- JP お気づきの点等ございましたら、以下の点をお知らせください。

Example!



WARNING



Children have died from furniture tipover. To reduce the risk of furniture tipover:

- ALWAYS install tipover restraint provided.
- NEVER put a TV on this product.
- NEVER allow children to stand, climb or hang on drawers, doors, or shelves.
- NEVER open more than one drawer at a time.
- Place heaviest items in the lowest drawers.

*This is a permanent label.
Do not remove!*