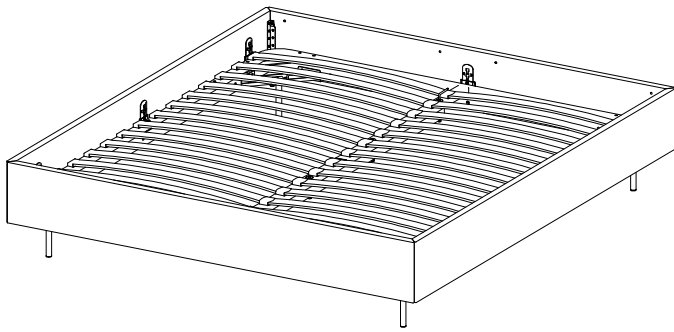


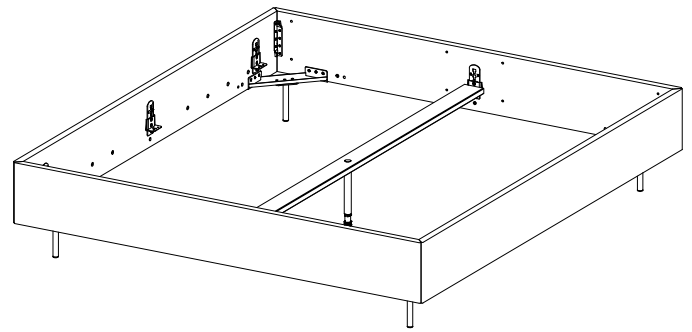
# Bed Concept

Design by BoConcept

Samvejledning - Assembly Instructions - Montageanleitung - Instructions d'assemblage - Instrucciones de montaje



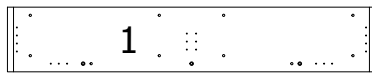
1310+410+60  
1340+440+60  
1350+450+60  
1360+460+60  
1380+480+60  
1390+490+60



1310 + 60  
1340+100+60  
1350+100+60  
1360+100+60  
1380+100+60  
1390+100+60

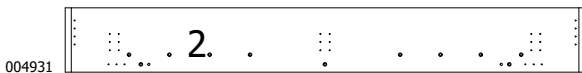
Col. 1 / no.0311, 0341, 0351, 0361, 0381, 0391

no.1311 = 004932  
no.1341 = 004933  
no.1351 = 004934  
no.1361 = 004935  
no.1381 = 004936  
no.1391 = 004937



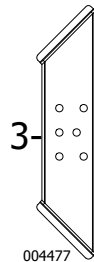
x2

Col. 2 / no.0312



x2

Col. 3 / no.1313



x4



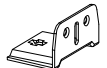
A x 4  
970001353  
Left



E x 8  
970001486



B x 4  
970001352  
Right



F x 8  
970001490



C x 36  
970001719  
3,5x20mm

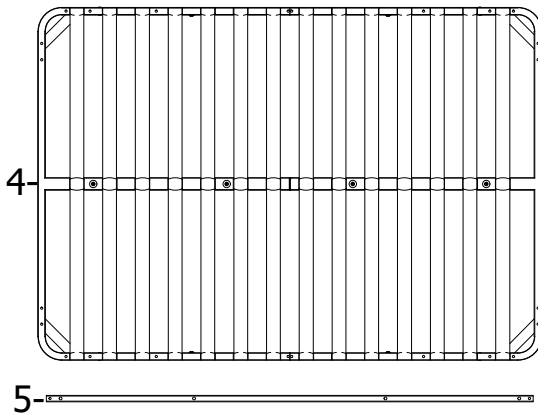


D x 72  
970001720  
4,5x16mm

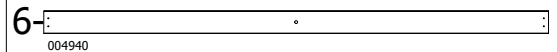


G x 3  
970001687

No. 0410, 0440, 0450, 0460, 0480, 0490



No. 0100



004940

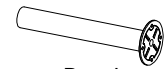
-OR-



P x 1  
970001710



Q x 1  
970001711



R x 1  
970001709  
198mm



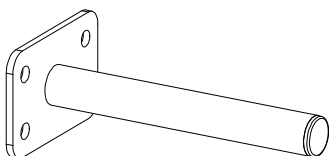
S x 1  
970001712  
M10x45mm



T x 4  
970001718  
3,5x15mm

No. 0060

Fittingbag: 937000172



H x 4



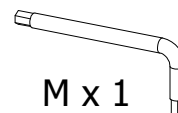
J x 16



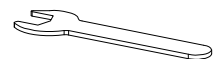
K x 1



L x 16



M x 1



P x 1

FIG. 1

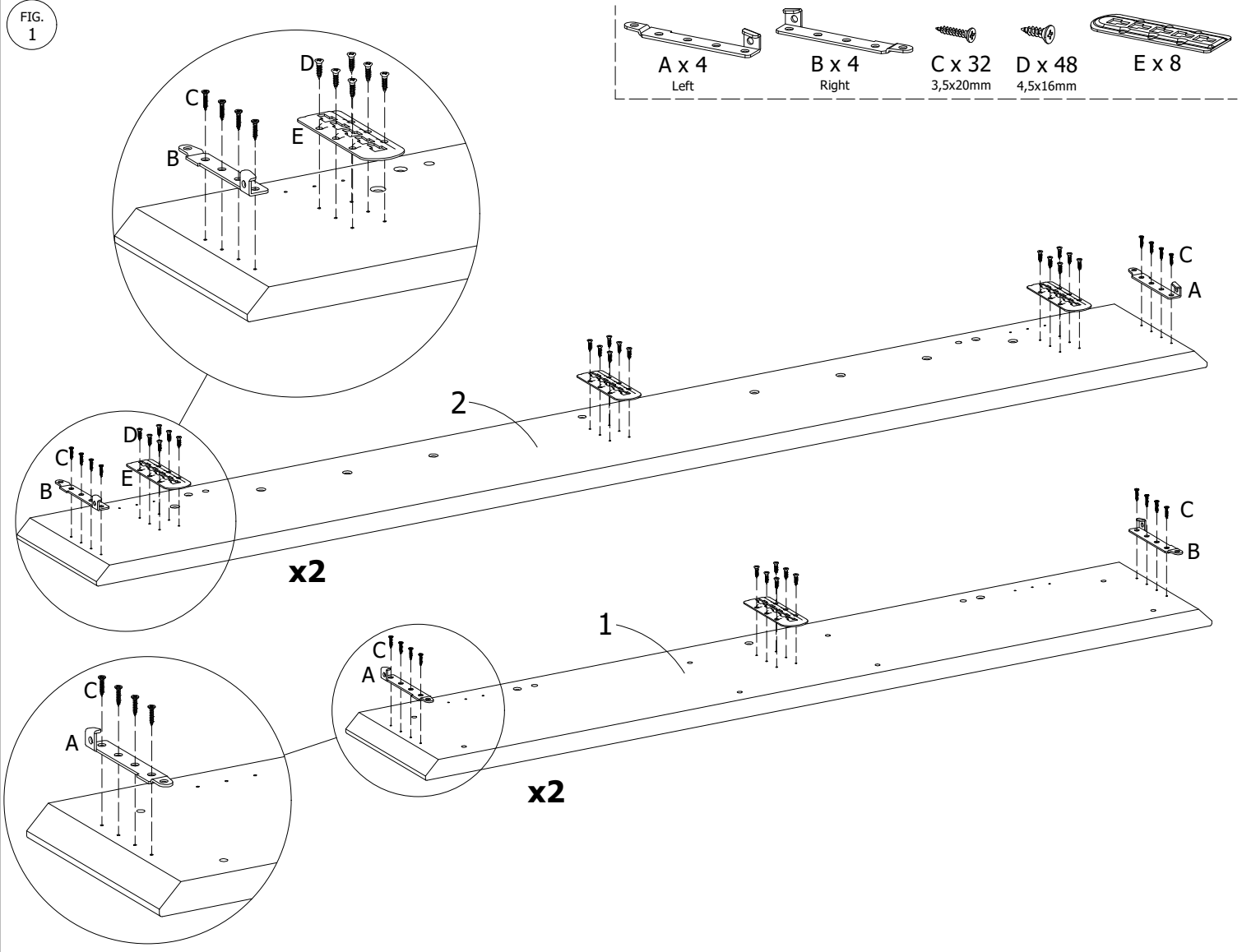


FIG. 2

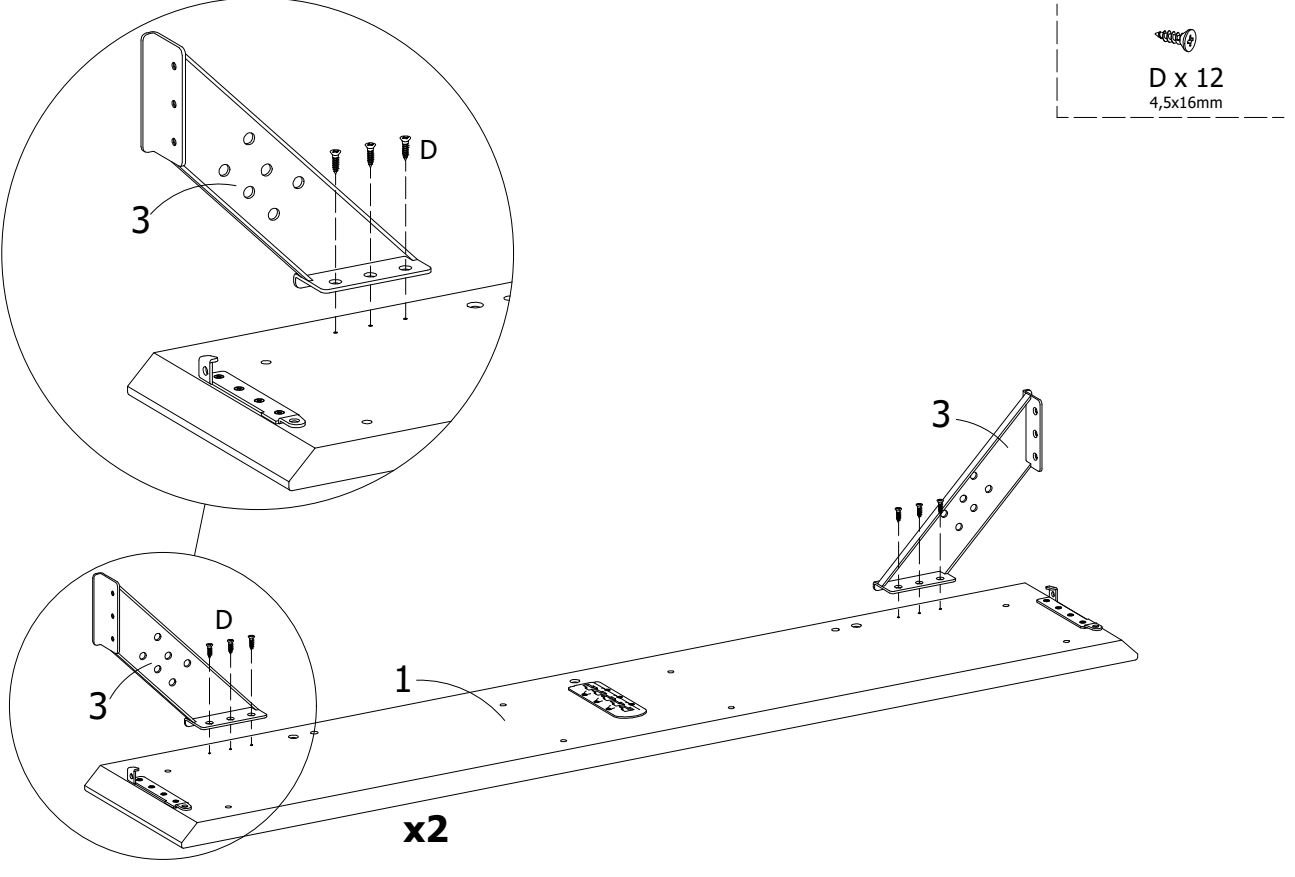


FIG. 3

C x 2  
3,5x20mm

D x 6  
4,5x16mm

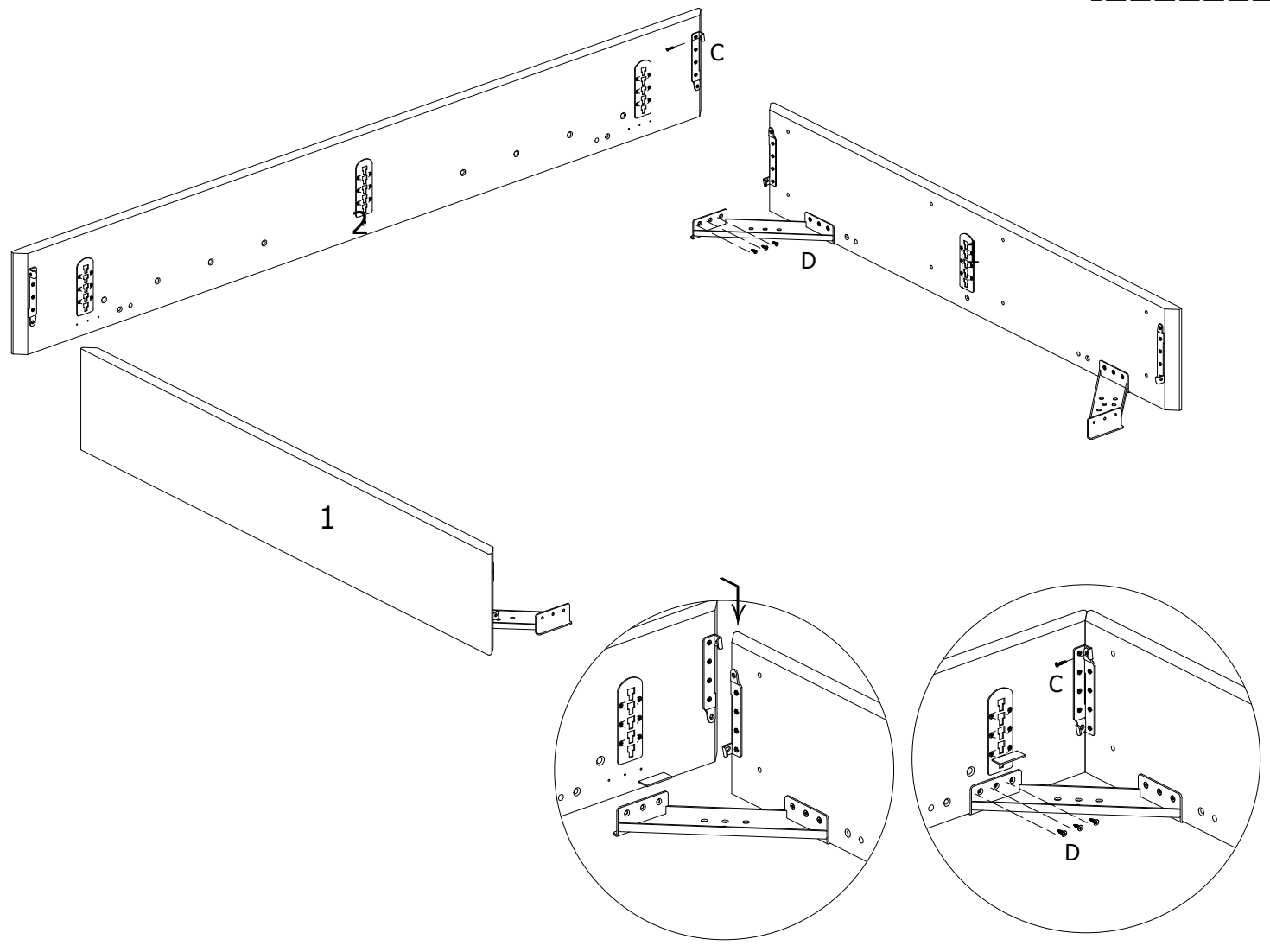


FIG. 4

C x 2  
3,5x20mm

D x 6  
4,5x16mm

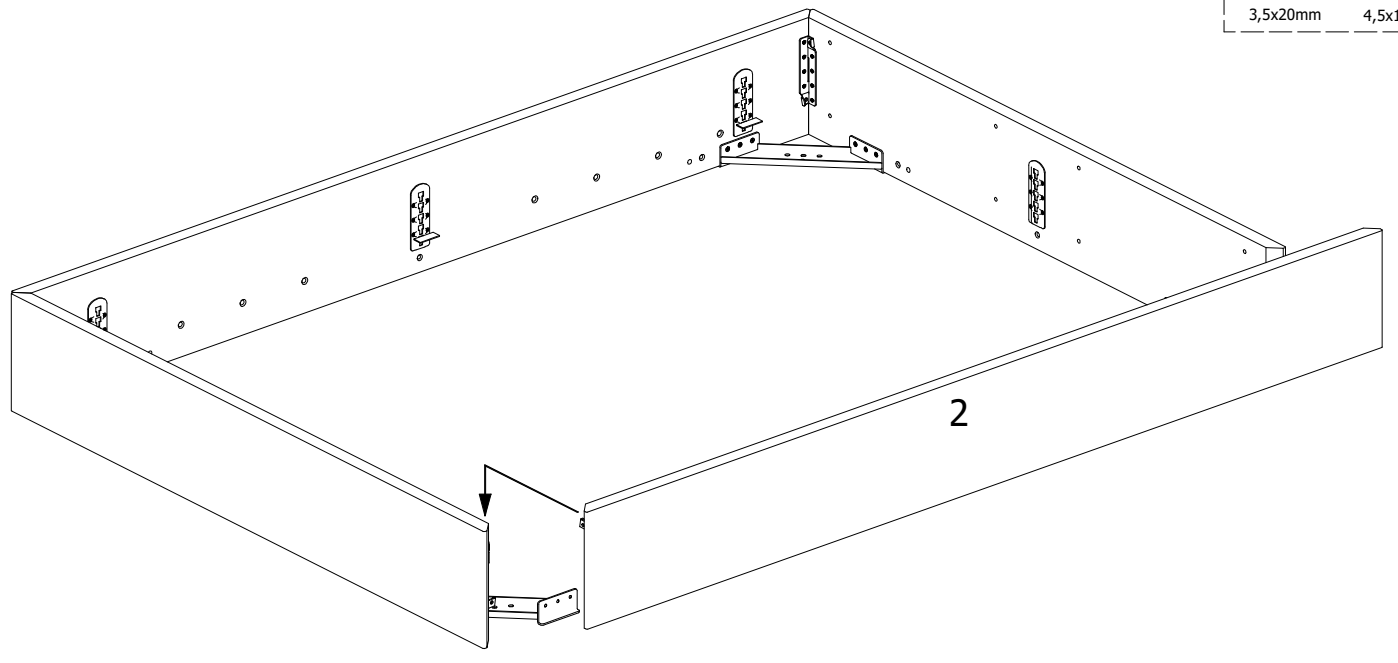
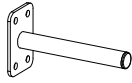


FIG. 5



H x 4



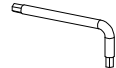
J x 16



K x 1



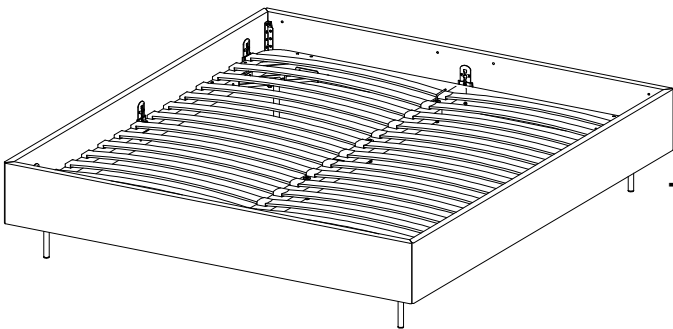
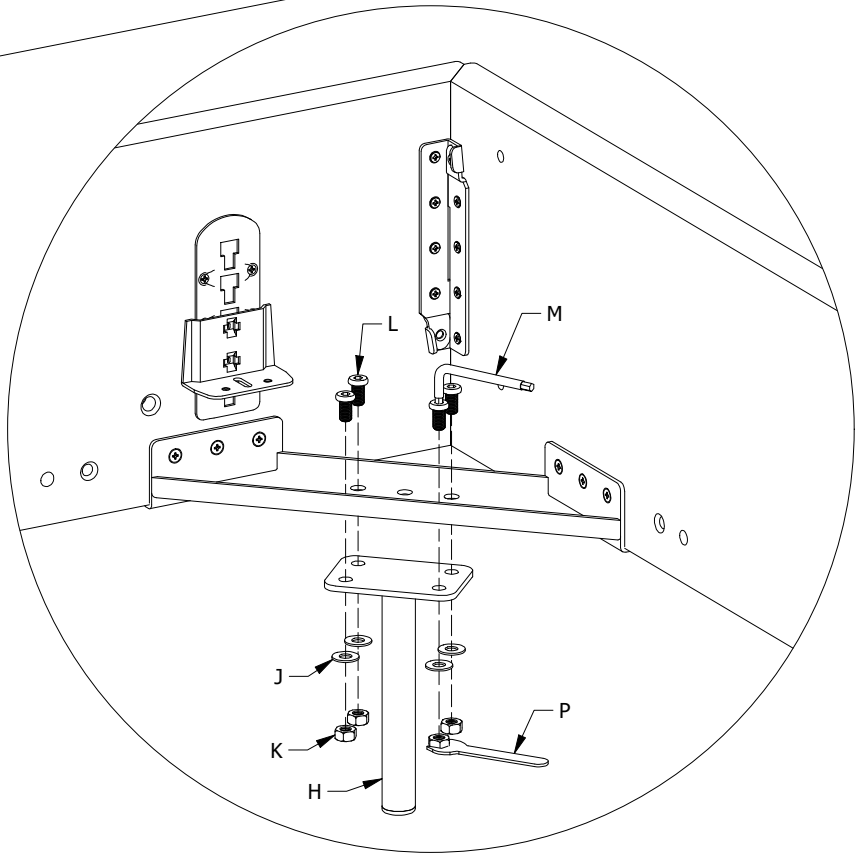
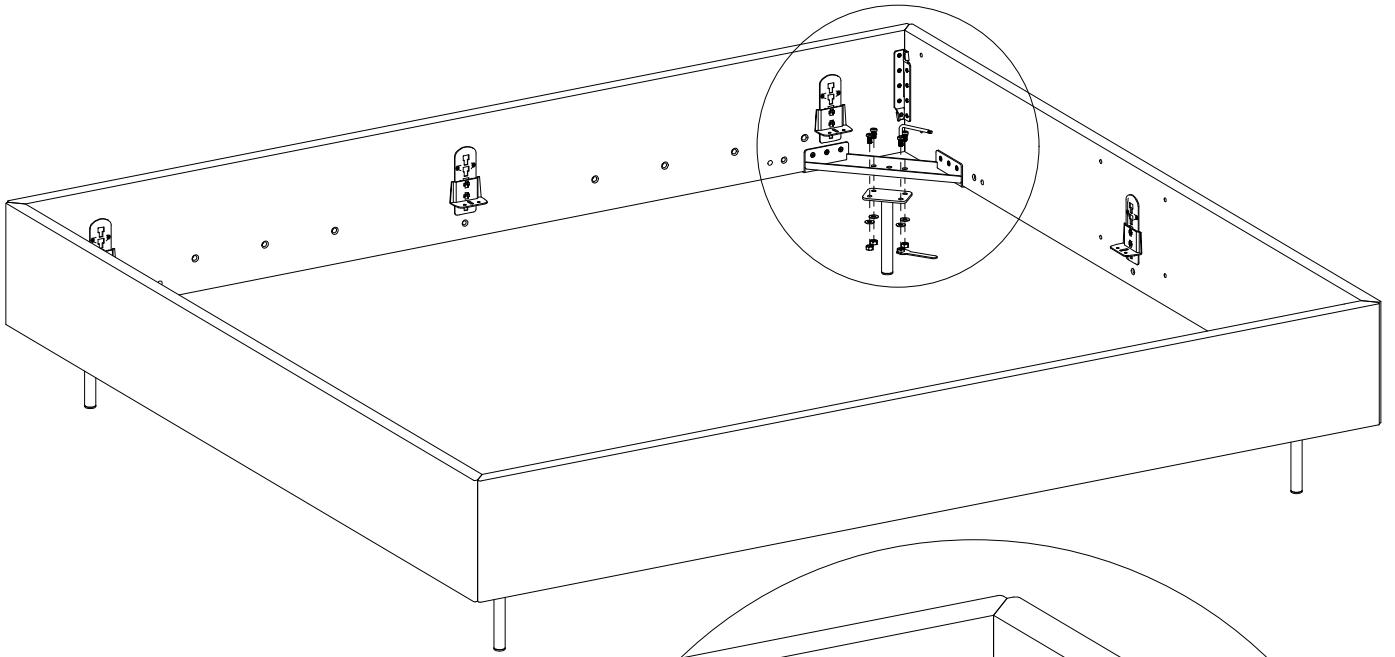
L x 16



M x 1



P x 1



-OR-

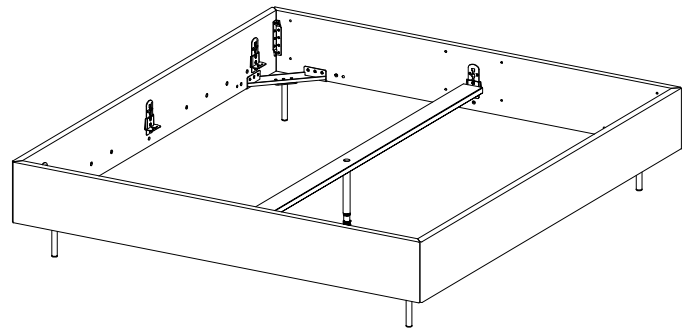


FIG. 6

FIG. 7

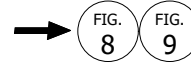


FIG. 8

FIG. 9

FIG. 6

- H x 4
- J x 4
- K x 4
- L x 4
- M x 1
- N x 1

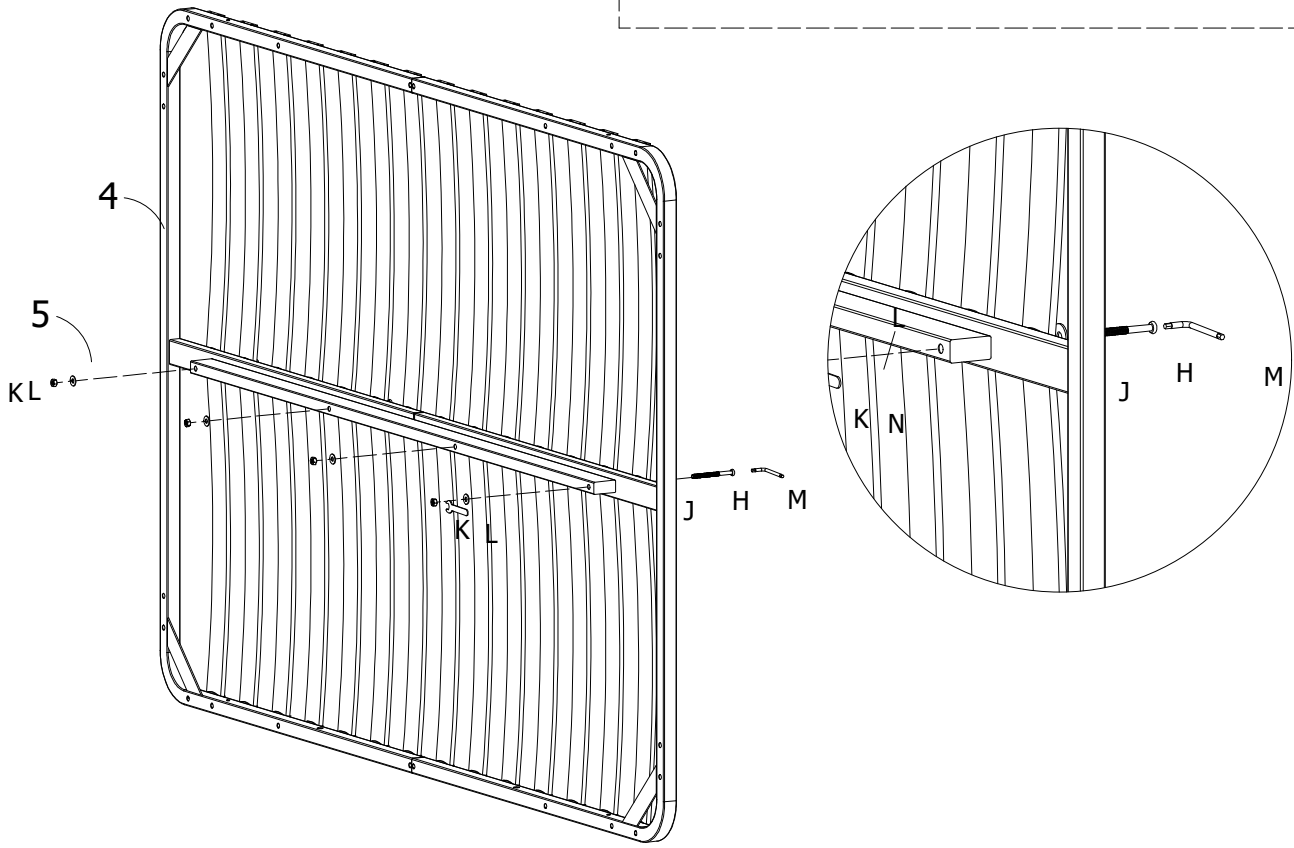


FIG. 7

- F x 8
- G x 3

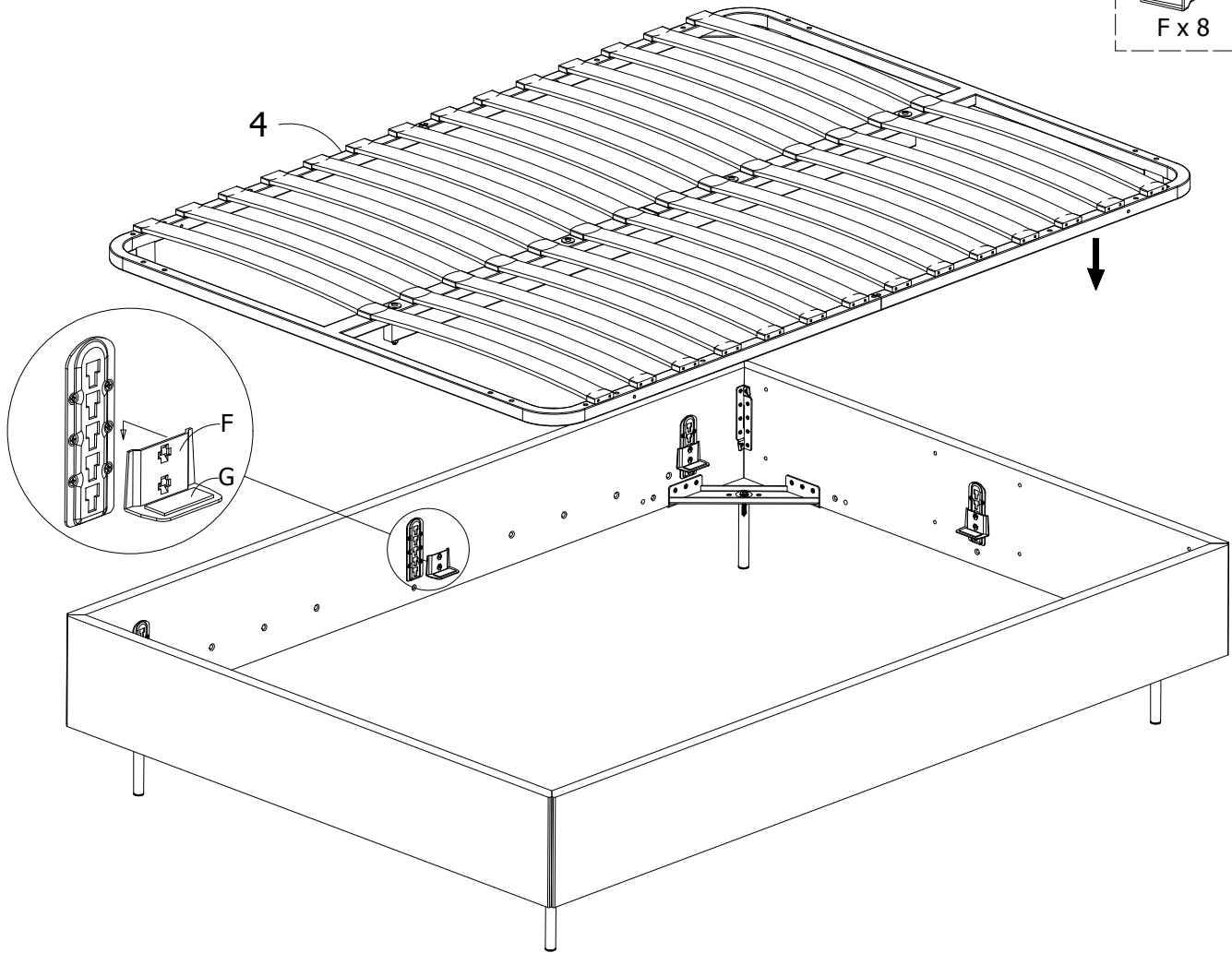


FIG. 8

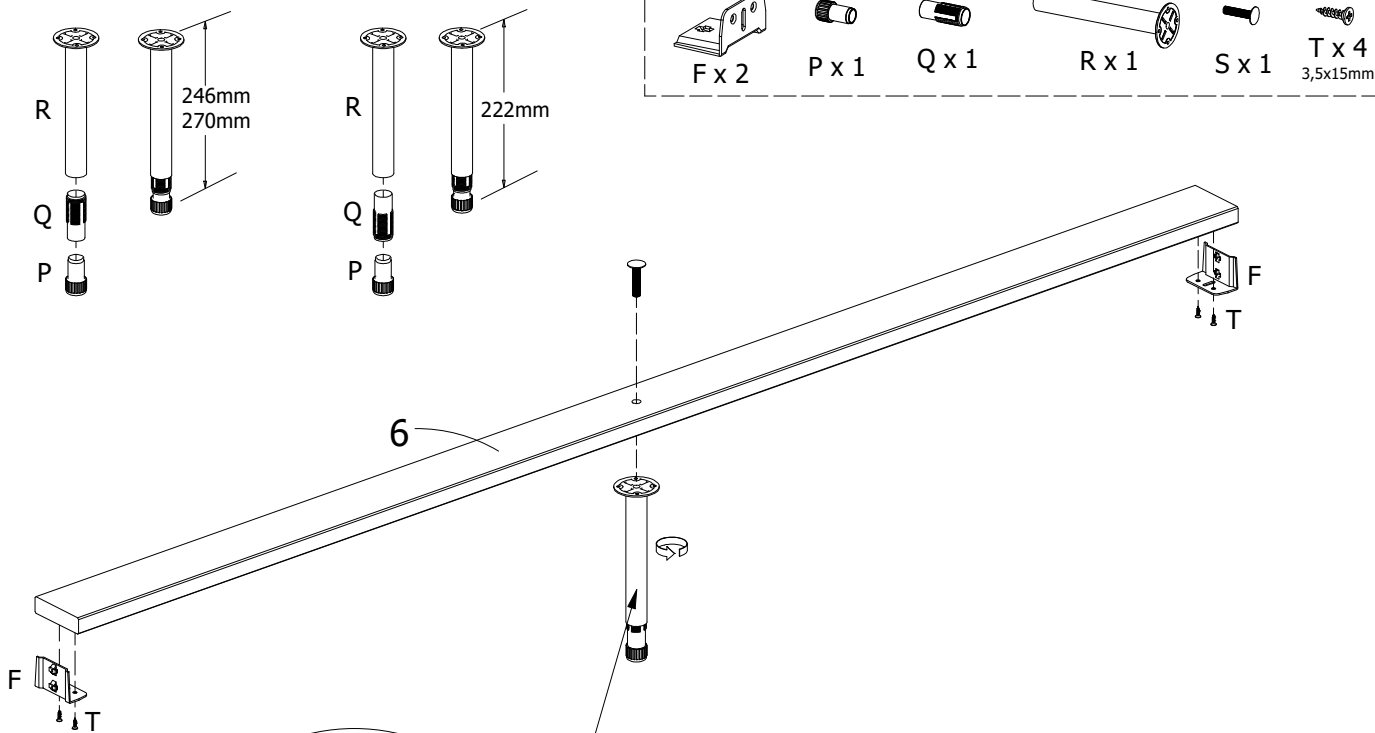
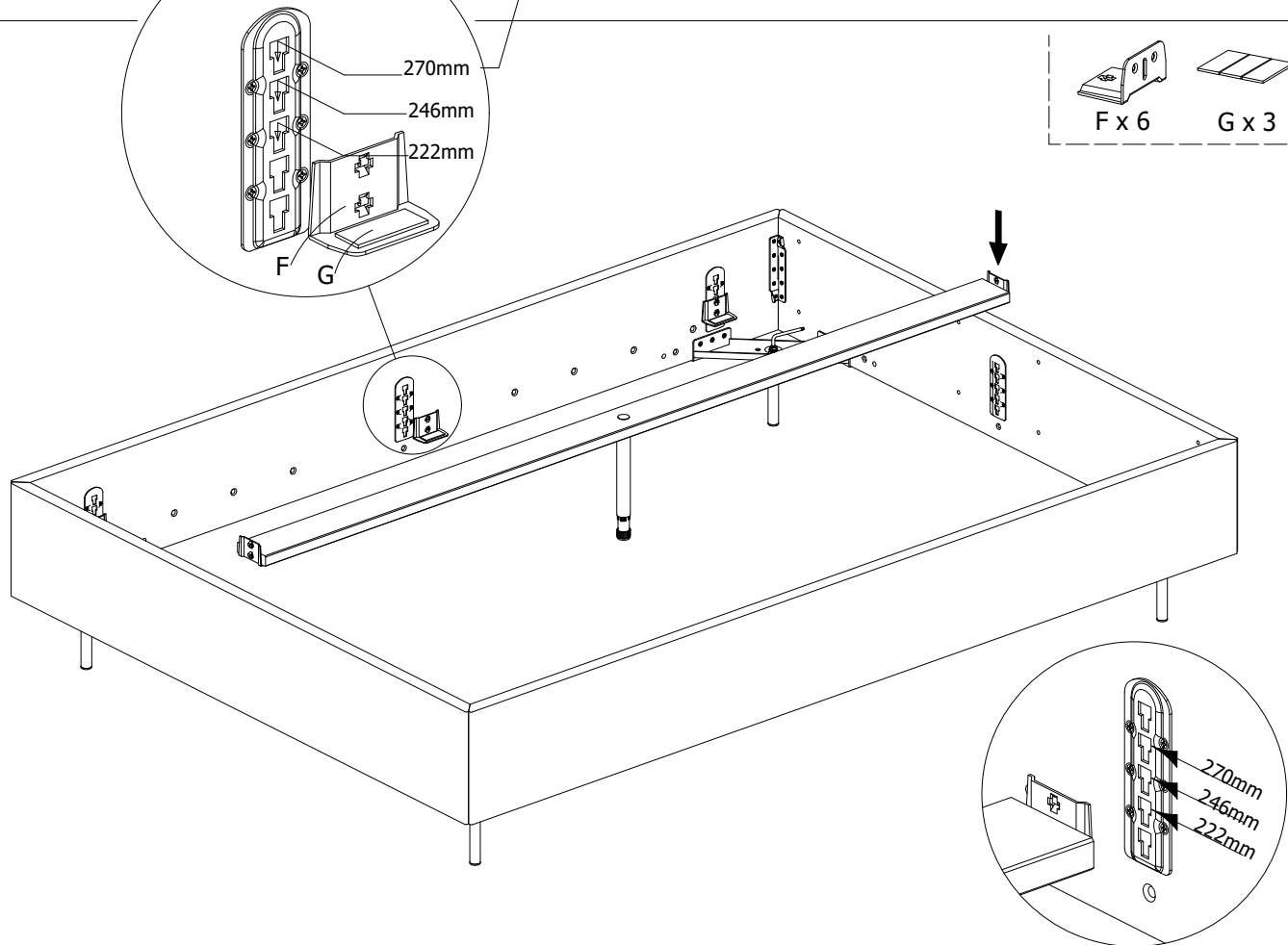


FIG. 9



DK Ved reklamation oplyses følgende:

D Im Reklamationsfall, bitte folgendes erläutern:

US In case of claims, please state the following:

F En cas de réclamation, veuillez indiquer:

NL Bij service volgene mededelen

E En caso de reclamación, indicar lo siguiente:

P No caso de reclamação, por favor indique o seguinte:

JP お気づきの点等ございましたら、以下の点をお知らせください。

Example!

|                                      |  |  |  |                      |                     |
|--------------------------------------|--|--|--|----------------------|---------------------|
| Korpus - Korpus - Carcase - Carcasse |  |  | Beslag - Fittings - Beschläge - Set de Montage |                      |                     |
|                                      |  |  |  |                      |                     |
|                                      |  |  | A X 8<br>1972000014                            | B X 12<br>1972000004 | C X 4<br>1979110830 |
|                                      |  |  |  |                      |                     |
|                                      |  |  | D X 2<br>1970120000                            | H X 2<br>1978504022  | J X 8<br>1978204210 |