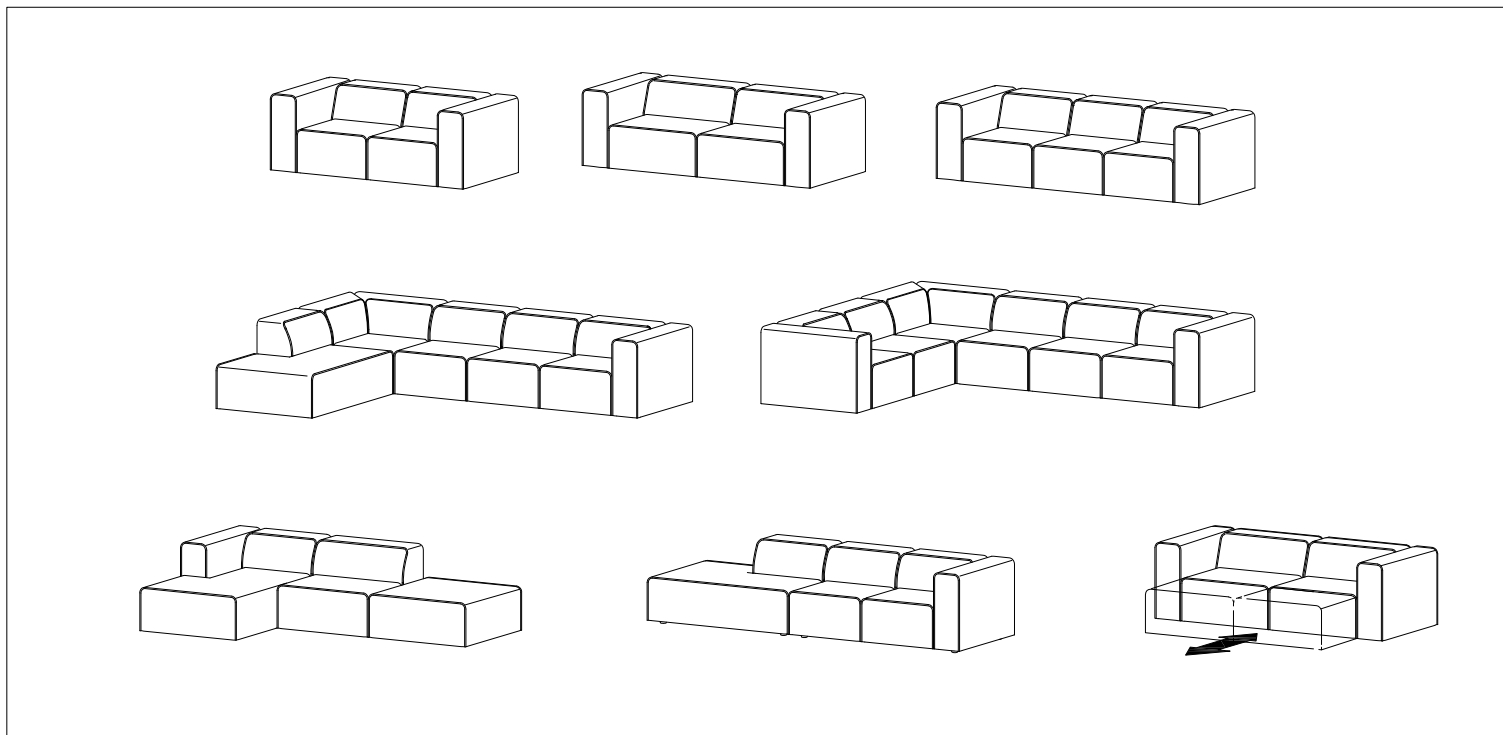


Carmo 2

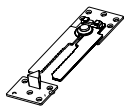
Design by BoConcept

Samvejledning - Assembly Instructions - Montageanleitung - Instructions d'assemblage - Instrucciones de montaje



Fittings

697000010



B x 2

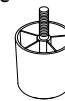
Connector



C x 20

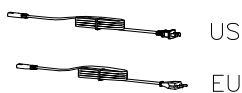
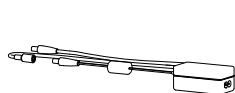
Woodscrew
3,5x25 mm

sparepart bag 697000020

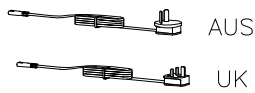


A x 4

Carmo leg



US



AUS

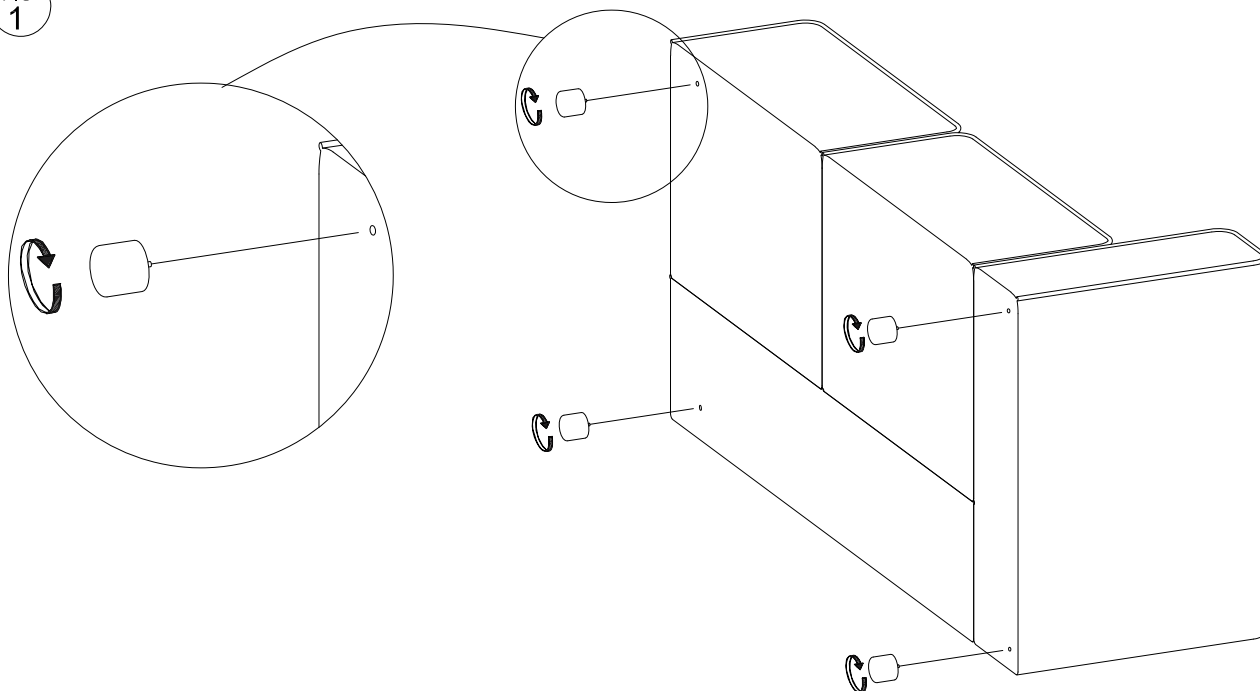


EU



UK

FIG.
1



A x 4

FIG. 2



Example

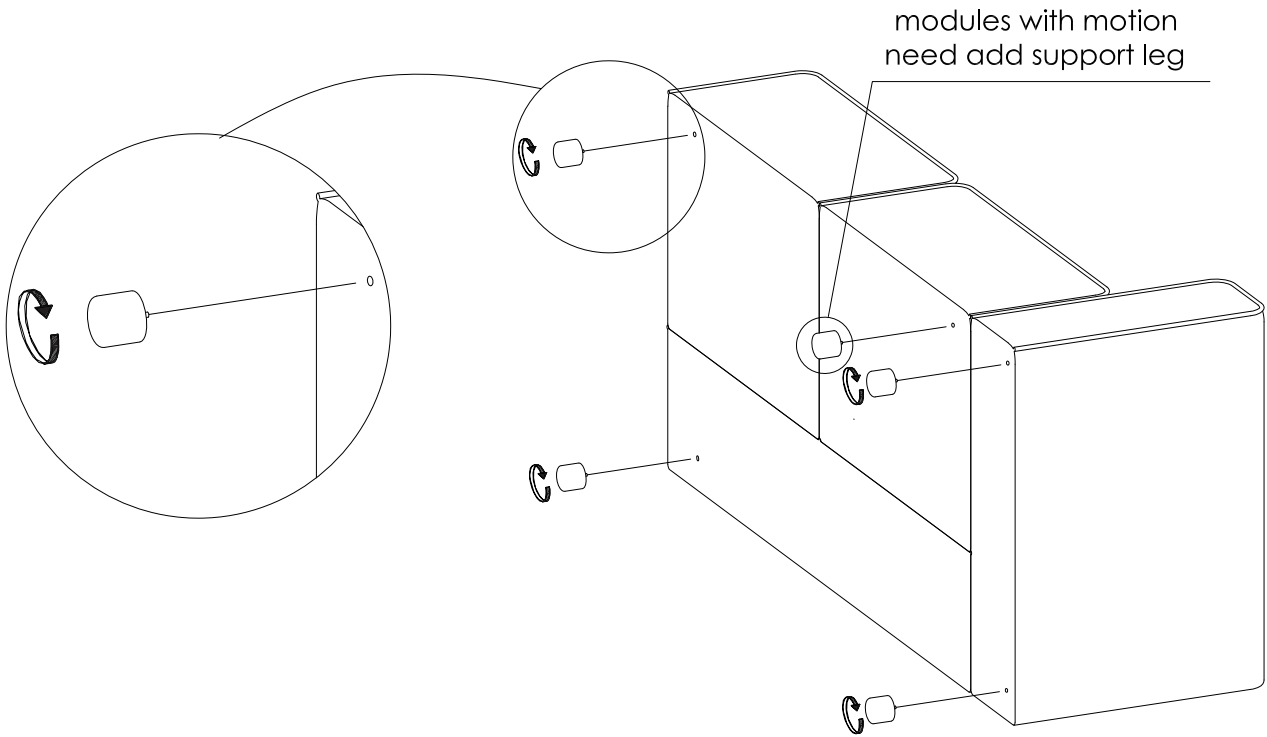


FIG. 3

