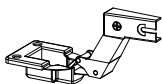
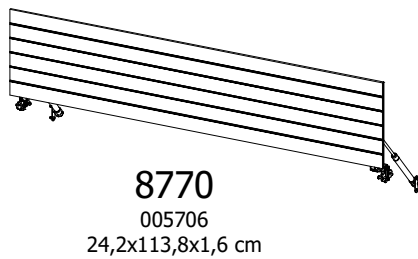
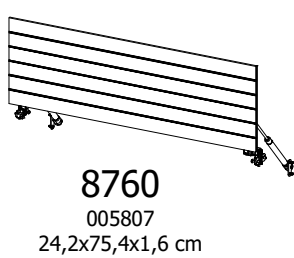
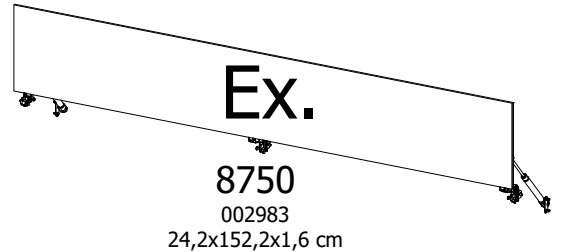
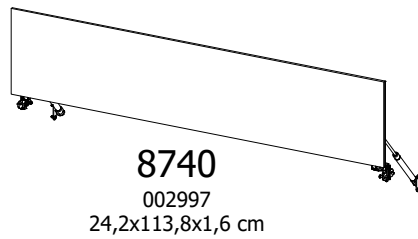
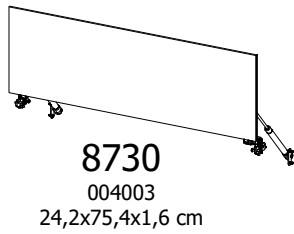
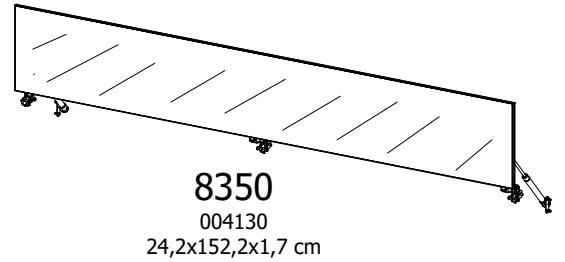
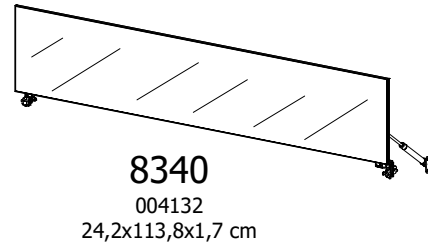
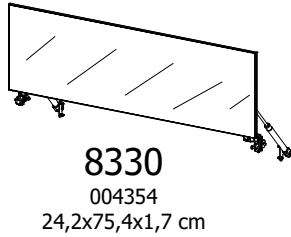
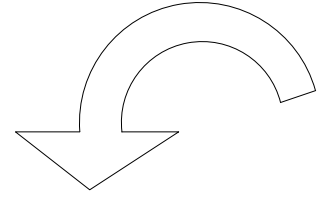
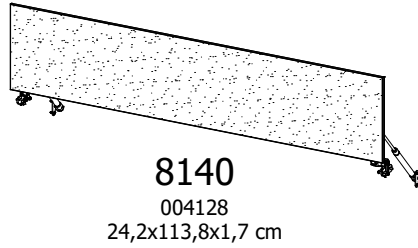
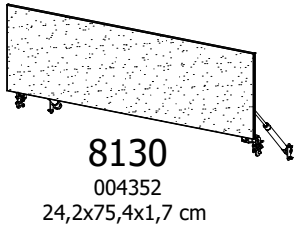


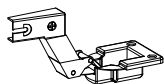
Lugano

Design by BoConcept

Samvejledning - Assembly Instructions - Montageanleitung - Instructions d'assemblage - Instrucciones de montaje



970001404



970001326



970001044



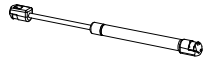
970001327



970001419
ø6,2x13 mm



970001325



970001328



970001717
3,0x15 mm



970001820



970001768
M4x12 mm



970000940



970001460



970000760



970001095
3,5x15 mm



970001810



970001819

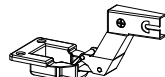






Table

Model nr.	Fitting box	970001404	970001326	970001044	970001327	970001419	970001325	970001328	970001717
8130-8140-8330-8340	380081320000	1	1	2	2	4	2	2	2
8350	380083520000	1	2	2	2	4	3	2	2
8730-8740-8760-8770	380087320000	1	1	2	2	4	2	2	2
8750	380087520000	1	2	2	2	4	3	2	2

Table

Model nr.	Fitting box	970001820	970001768	970000940	970001460	970000760	970001095	970001810	970001819
8130-8140-8330-8340	380081320000	1	8	1	1	0	0	1	1
8350	380083520000	1	10	1	1	0	0	1	1
8730-8740-8760-8770	380087320000	1	0	0	1	1	8	1	1
8750	380087520000	1	0	0	1	1	10	1	1

FIG. 1

- 
A x 1
- 
B x 2
- 
C x 2
- 
N x 1
- 
P x 10
3,5x15
- 
K x 10
M4x12 mm
- 
L

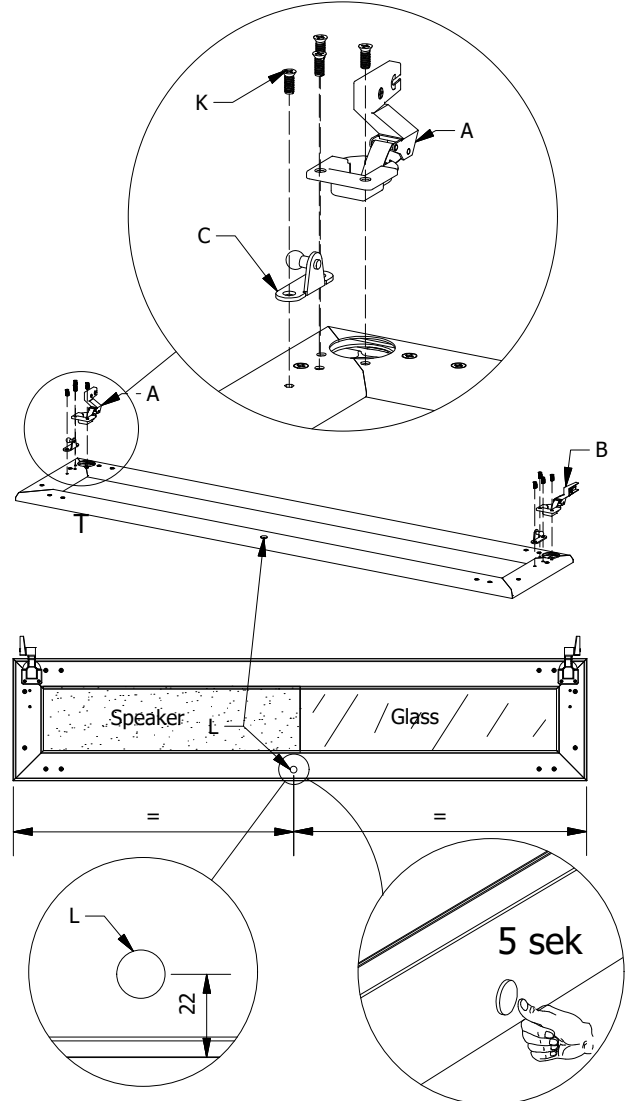
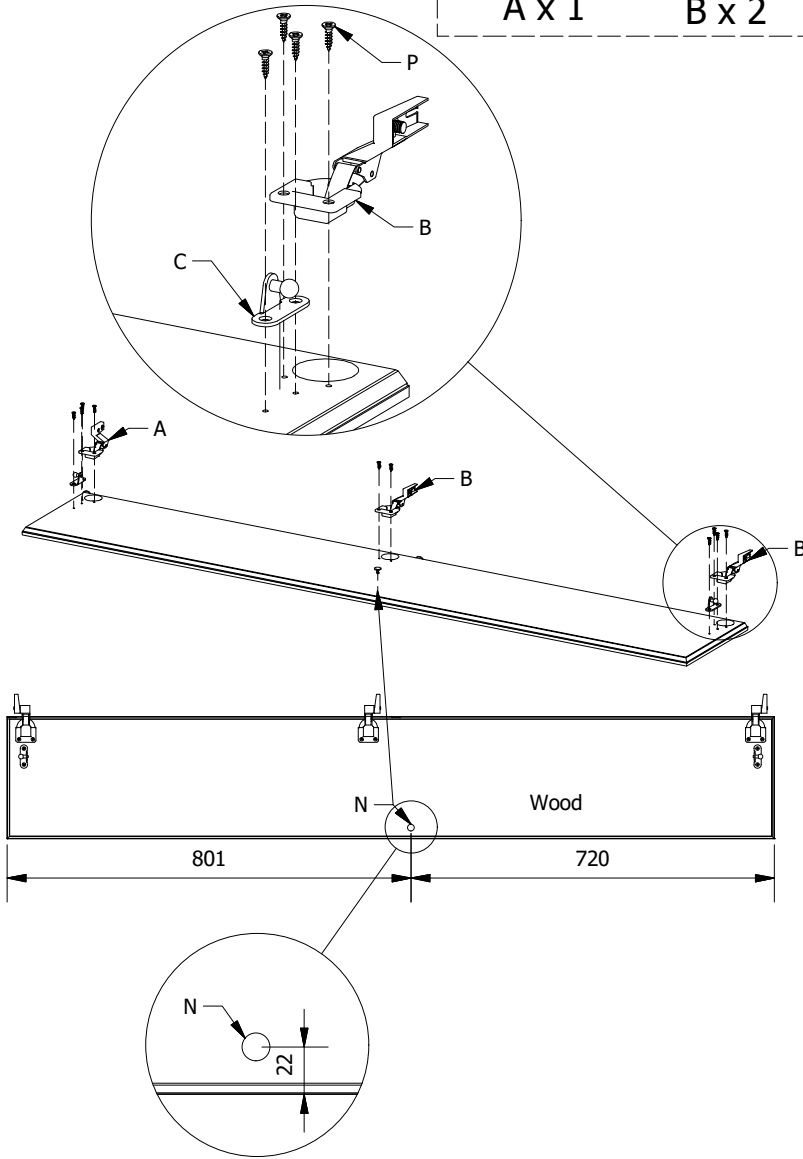


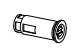



FIG. 2

- 
H x 2
- 
J x 1
- 
R x 1
- 
S x 1

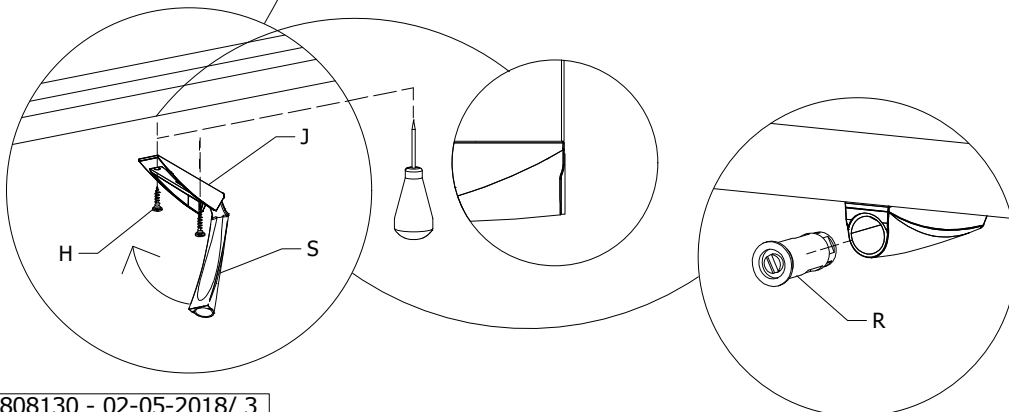
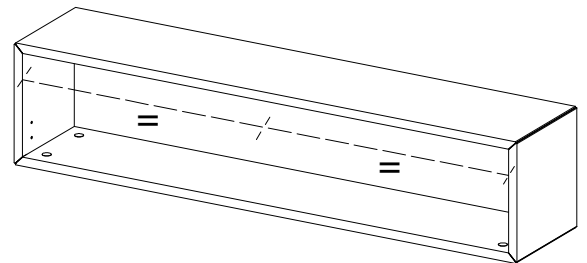
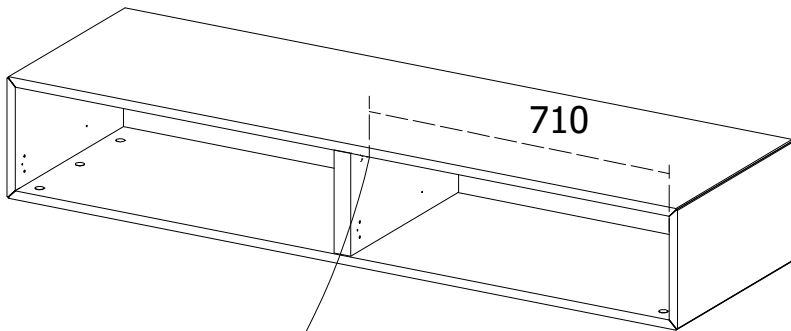


FIG. 3



D x 2



E x 4



F x 3

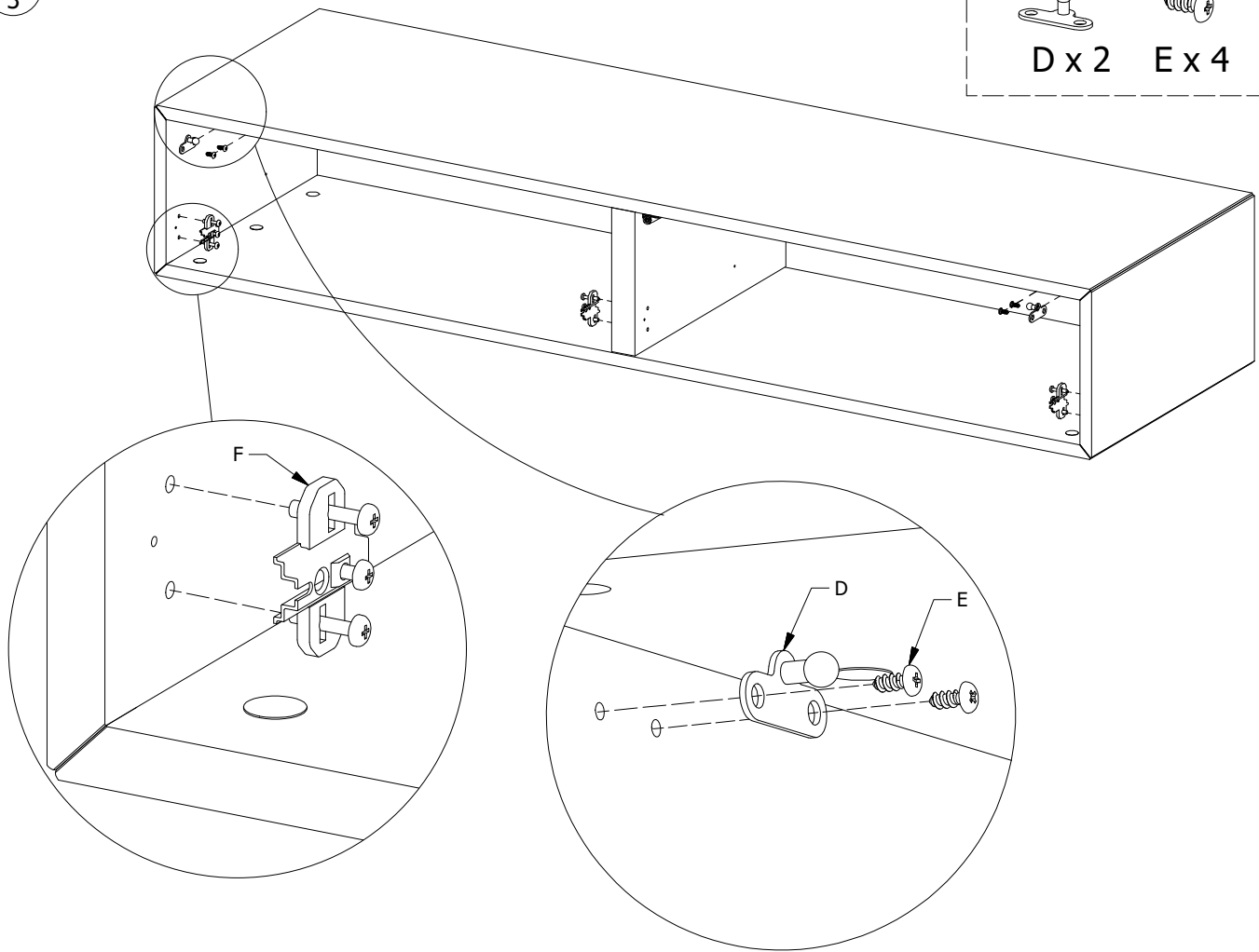


FIG. 4



M x 1

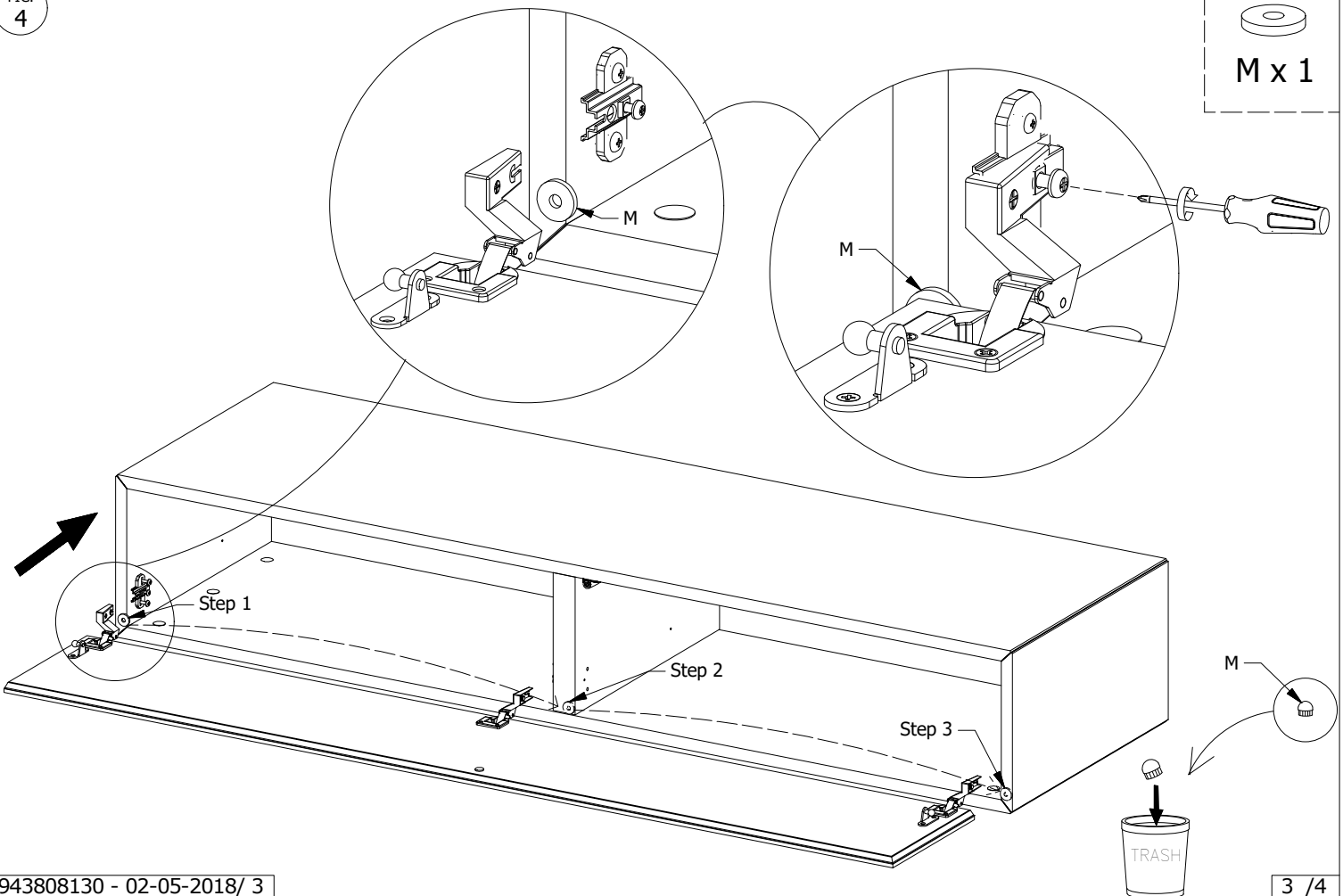
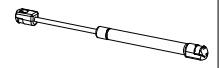


FIG. 5



G x 2

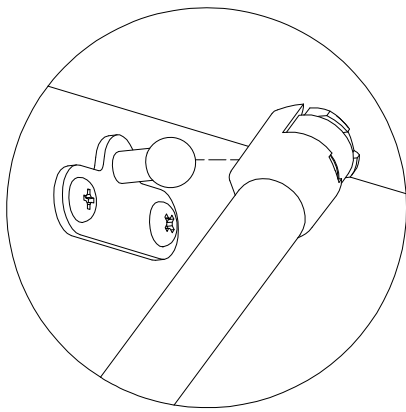
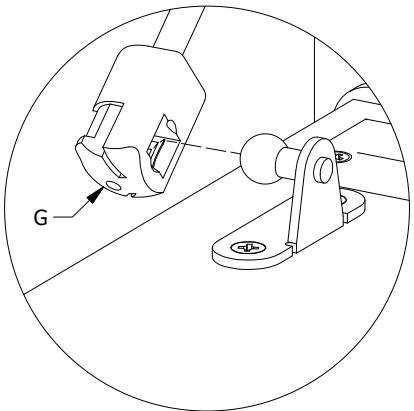
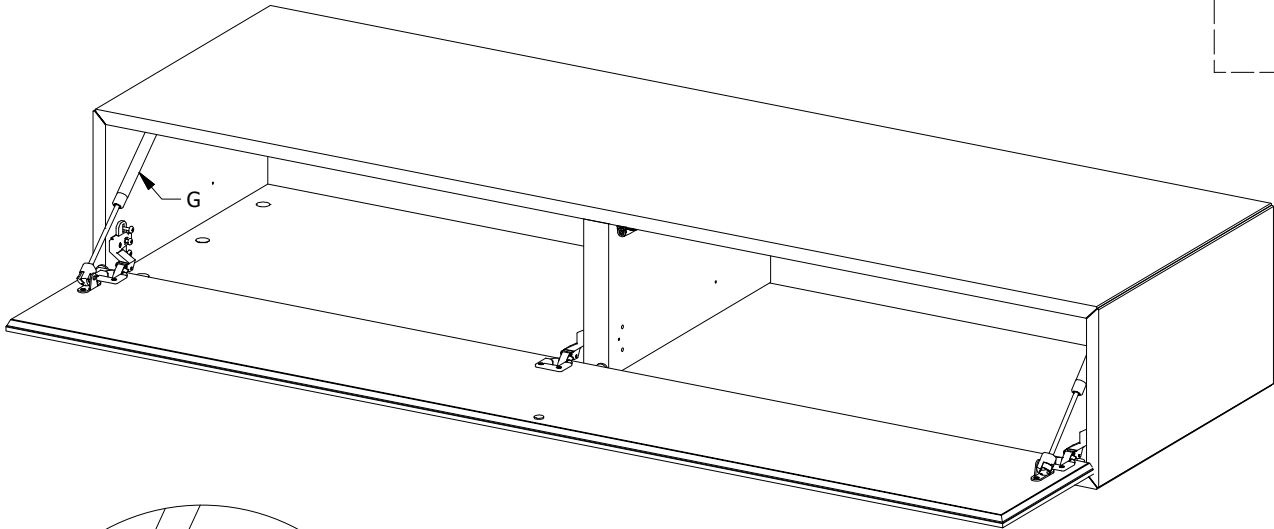
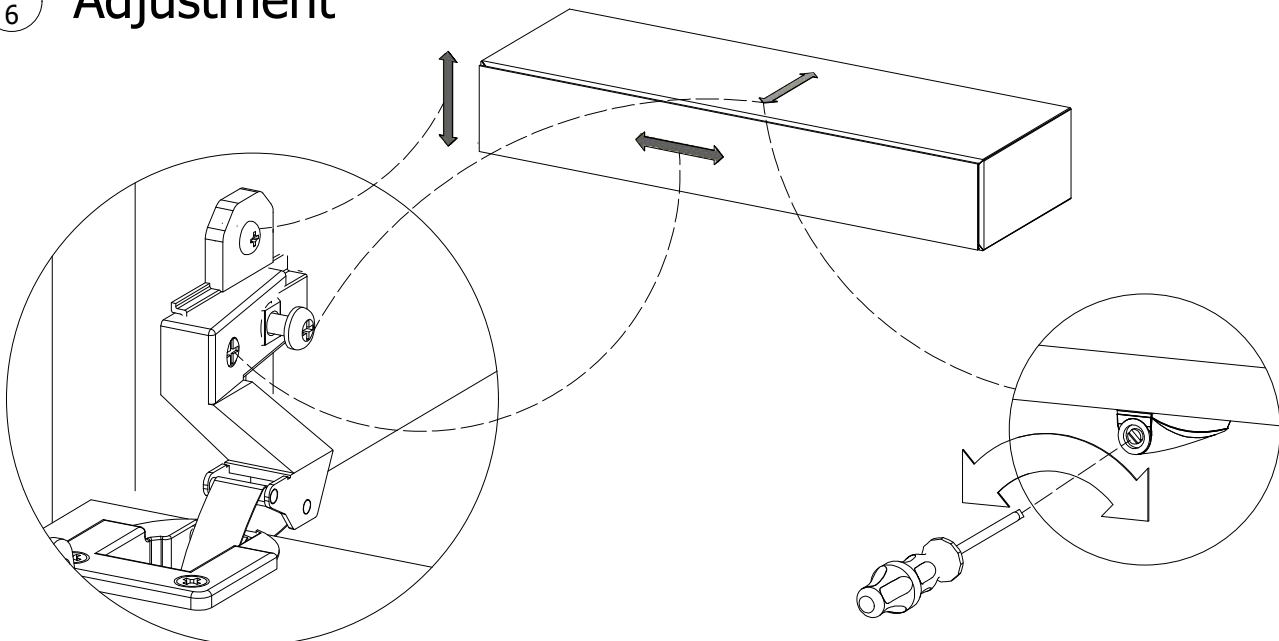


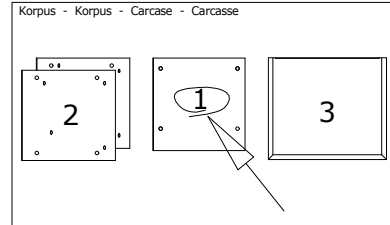
FIG. 6







Adjustment



- DK Ved reklamation oplyses følgende:
- D Im Reklamationsfall, bitte folgendes erläutern:
- US In case of claims, please state the following:
- F En cas de réclamation, veuillez indiquer:
- NL Bij service volgene mededelen
- E En caso de reclamación, indicar lo siguiente:
- P No caso de reclamação, por favor indique o seguinte:
- JP お気づきの点等ございましたら、以下の点をお知らせください。

Example!



Beslag - Fittings - Beschläge - Set de Montaje		
 A X 8 1972000014	 B X 12 1972000004	 C X 4 1979110830
 D X 2 1970120000	 H X 2 1978504022	 J X 8 1978204210